



PROJECTORS

STRONG CASING

HIGH EFFICIENCY

COMMON SOLUTION FOR DIFFERENT SECTORS



Industrial
Projects



Outdoor
Lighting



Apron
Lighting



Seaport
Lighting



Tunnel
Lighting

PROJECTORS

STRONG CASING HIGH EFFICIENCY



PROJECTOR LIGHTING LUMINAIRES

Led projectors, which are the main product range of many industrial or social projects, have taken their place among our products, now with a much richer variety. New products qualified for big and technical projects such as Ports, Aprons, Tunnels are now included in our catalogues. The large projector family, consisting of 10 different encasing sizes from 30W to 500W, and with approx. 15 optical options, allows for optimum selection by identifying the project-specific model.

Our newly designed product PROLIT-PLUS has become a preferred product in a short period of time thanks to its energy saving, light-weight characteristics and rich optical variety and affordable price.

I N D E X

MODEL

GPRONA	6
SPRONA	8
PROLIT V.3	10
PROLIT PLUS	12
PROLIT PLUS SEAPORT	14
PROLIT PLUS TUNNEL	15
PROLIT PLUS 0 TILT	16
PROLIT-M PR V.2	17
PROLIT COMPACT V.2	18

APPLICATION AREAS



OUTDOOR LIGHTING



INDUSTRIAL PROJECTS

GPRONA

PROJECTOR



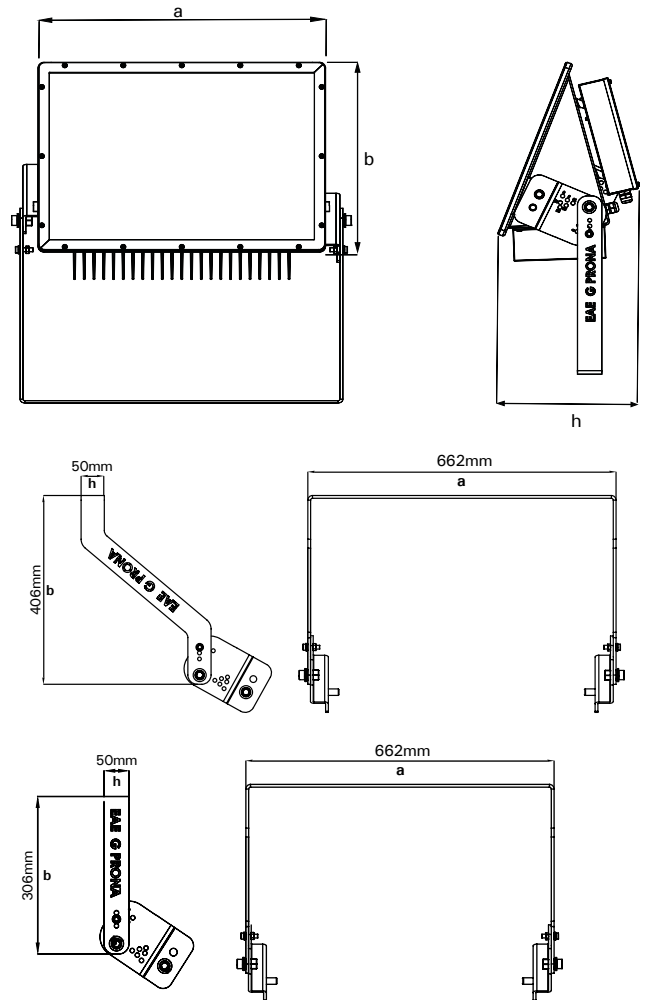
GPRONA is specially designed to illuminate ports, large areas and an industry. The asymmetrical light distribution, thanks to the high lumen output, provides more energy saving than usual for LED retrofit applications in particular.



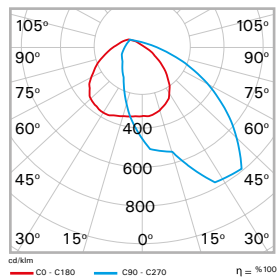
Technical Specifications

Housing	: Aluminium injection housing
Optical	: Asymmetric reflector
Diffuser	: Tempered clear glass
Light Source	: Power LED
Power	: 135W / 157 W / 290 W / 364 W / 463 W
Lumen	: (463 W) 74292 lm
Input Voltage	: 220-240V AC 50/60Hz
Color Temp.	: 3000K / 4000K / 5000K / 5700K
CRI	: > 70
IP	: IP66
Installation	: Floor / Wall / Pole mounted
Colors	: SW 306G

Technical Drawing



Photometric Curve



Options

Electronic Control : Dali / 1-10 V DIMKO

Purchase Order Table

Product Type	Product Code	Power (W)	Weight (kg)
135 W 4000K	GPR 135Z 40CM00 AS 21K3 V2		20
157 W 4000K	GPR 157Z 40CM00 AS 24K7 V2		20
295 W 4000K	GPR 295Z 40CM00 AS 45K1 V2		20
360 W 4000K	GPR 360Z 40CM21 AS 56K8 V2		20
463 W 4000K	GPR 463Z 40CM00 AS 74K2 V2		20

Dimensions (mm)

a	b	h
586	410	235



GPRONA

PROJECTOR



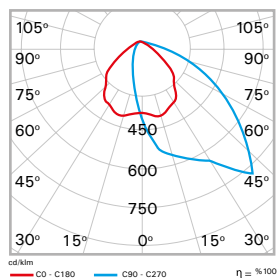
Gprona offers cost-effective one for one replacement of metal halide floodlights with its high efficacy value. Thanks to its optimized housing dimension for efficient light extraction, high IP protected body and high-impact resistant tempered glass surface, Gprona is ideal for all outdoor applications. Customized hanger set options are functional tools according to application type. DALI and RF control options are available.



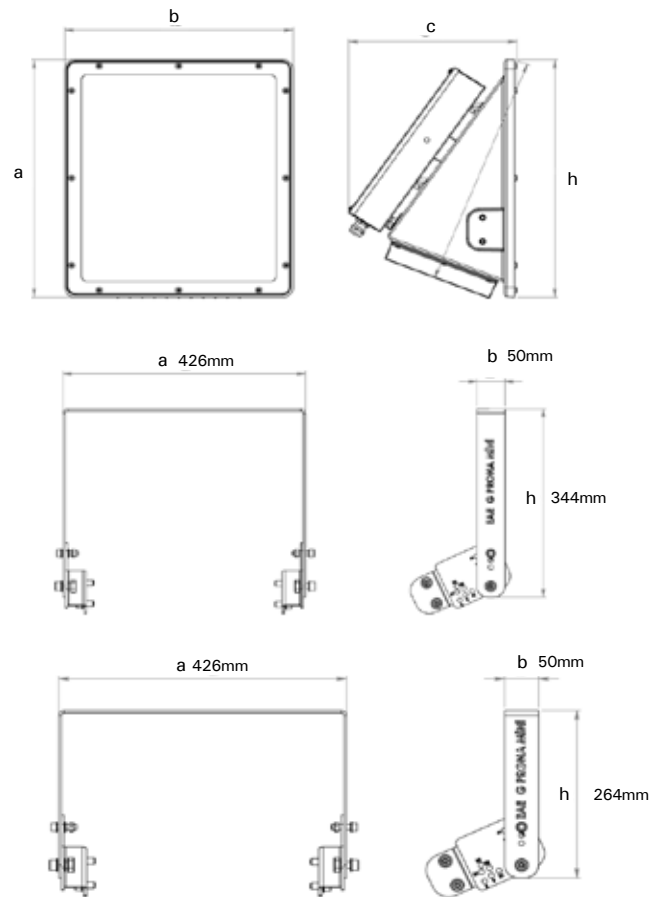
Technical Specifications

Housing	: Aluminium injection housing
Optical	: Asymmetric reflector
Diffuser	: Tempered clear glass
Light Source	: Power LED
Power	: 185 W / 240 W
Lumen	: 29438 lm / 36286 lm
Input Voltage	: 220-240V AC 50/60Hz
Color Temp.	: 4000K / 5000K / 5700K / 6500K
CRI	: > 80
IP	: IP66
Installation	: Floor / Wall / Pole mounted
Colors	: SW 306G

Photometric Curve



Technical Drawing



Options

Electronic Control : Dali / RF

Purchase Order Table

Product Type	Product Code	Power (W)	Weight (kg)
185 W 4000K	GPR 185Z 40CM00 AS 29K4 V.MN	185,1	11,8
241 W 4000K	GPR 241Z 40CM00 AS 36K2 V.MN	240,6	11,8

Dimensions (mm)

a	b	c	h
420	375	276	420



SPRONA

PROJECTOR



SPRONA, which is frequently preferred in projector applications, is led with an extra durable casing structure technology's possibilities in severe outdoor conditions. Modern and industrial design SPRONA is a ergonomic LED light source that every field can use.



Technical Specifications

Housing	: Aluminium housing
Optical	: 16° / 35° / 55° / Asymmetric lens
Diffuser	: Tempered glass
Light Source	: Power LED
Power	: 268 W (16°, 35°, 55°, Asymmetric) 410 W (16°, 35°, 55°, Asymmetric) 464 W (16°, 35°, 55°, Asymmetric)
Lumen	: 268 W - (16°) 34898 lm / (35°) 32518 lm / (55°) 32937 lm 410 W - (16°) 50155 lm / (35°) 47706 lm / (55°) 44019 lm / (Asymmetric) 39054 lm 464 W - (16°) 51629 lm / (35°) 47778 lm / (55°) 47307 lm / (Asymmetric) 40321 lm
Input Voltage	: 220-240V AC 50/60Hz
Color Temp.	: 4000K / 5000K / 5700K
CRI	: > 70
IP	: IP66
Installation	: Column
Colors	: SW 306G

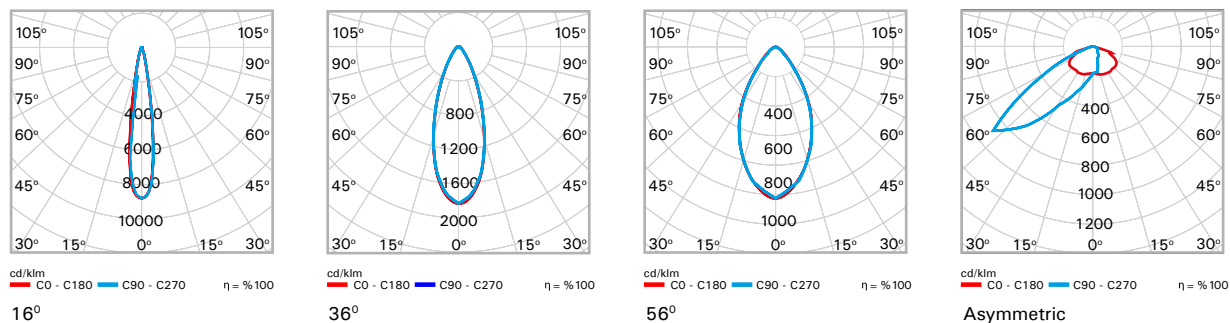
Dimensions (mm)

Type	a	b	h
SM PR. Single	616	249	345
SM PR. Double	616	615	345
SM PR. Triple	616	980	345

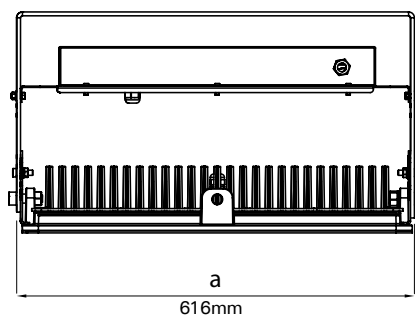
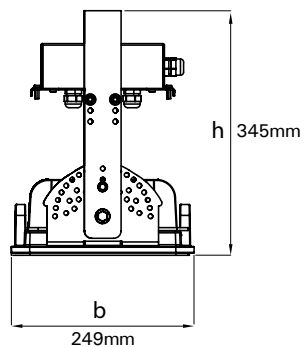
Purchase Order Table

Product Type	Product Code	Power (W)	Weight (kg)
409 W 16° LENS 4000K	SPR 410U 40TF00 16 50K1	408,5	16
410 W ASİMETRİK LENS 4000K	SPR 410U 40TF00 AS 39K0	408,8	16
464 W 16° LENS 4000K	SPR 464U 40TF00 16 51K6	463,5	16
453 W 36° LENS 4000K	SPR 453U 40TF00 36 47K7	453,3	16
453 W 56° LENS 4000K	SPR 453U 40TF00 56 47K3	453,2	16
464 W ASİMETRİK LENS 4000K	SPR 464U 40TF00 AS 40K3	464	16

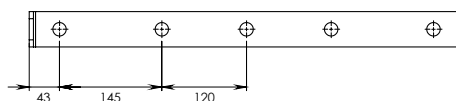
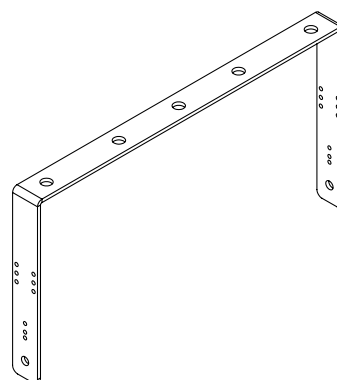
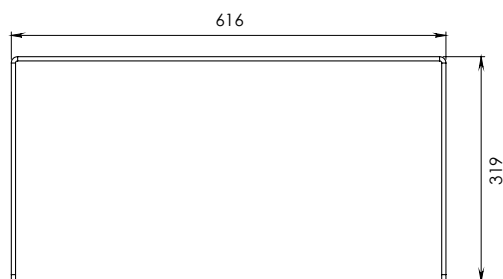
Photometric Curve



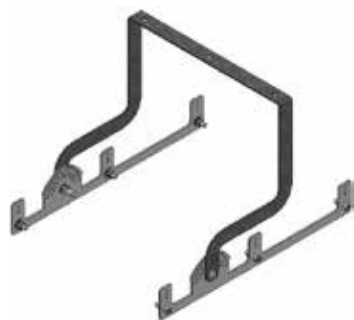
Technical Drawing



SM PROJECTOR SINGLE



TRIPLE SWIVEL BRACKET



DOUBLE PROJECTOR HANGER SET



TRIPLE PROJECTOR HANGER SET



PROLIT V.3

PROJECTOR



Thanks to its gently designed new housing and high efficient electronic design, Prolit V.3 offers lumen packages for many different application areas as well as choice of wide range optics. With the efficacy up to 146lm/W, it provides high energy saving. It is perfect for the replacement of conventional and low efficient lighting systems.



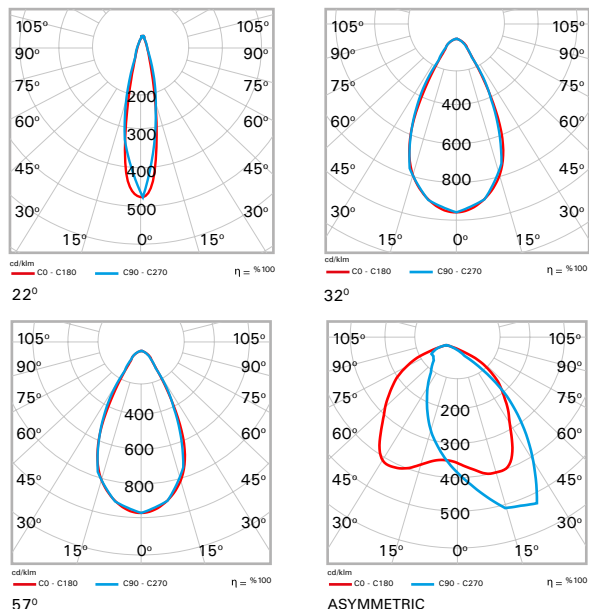
Technical Specifications

Housing	: Aluminium injection housing
Optical	: 22° / 32° / 57° lens / Asymmetric reflector
Diffuser	: Tempered glass with serigraphy
Light Source	: Power LED
Power	: 102 W / 150 W / 176 W / 206 W
Lumen	
(22°)	: 14879 lm / 19753 lm / 22585 lm / 25760 lm
(32°)	: 14408 lm / 19298 lm / 21810 lm / 25166 lm
(57°)	: 14616 lm / 19429 lm / 22090 lm / 25241 lm
(Asymmetric)	: 14347 lm / 19761 lm / 21842 lm / 25471 lm
Input Voltage	: 220-240V AC
Color Temp.	: 3000K / 4000K / 5000K / 5700K / 6500K
CRI	: > 70
IP	: IP66
Installation	: Floor Mounted
Colors	: Black

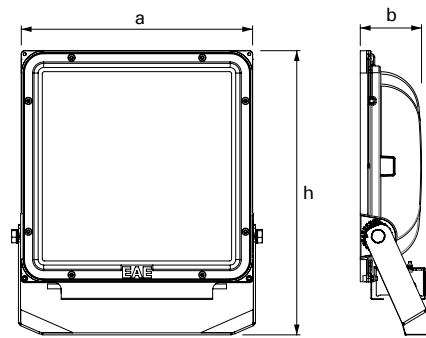
Options

DALI Compatibility	: Yes
DIMKO Compatibility	: Yes

Photometric Curve



Technical Drawing



Dimensions (mm)

a	b	h
336	89	412,8

Purchase Order Table

22° Lens

Product Type	Product Code	Power (W)	Weight (kg)
102 W 4000K	PRL 102Z 40SC00 22 14K9 V.3	102	6,5
150 W 4000K	PRL 150Z 40SC00 22 19K8 V.3	149,7	6,5
176 W 4000K	PRL 176Z 40SC00 22 22K6 V.3	174,1	6,5
206 W 4000K	PRL 206Z 40SC00 22 25K8 V.3	203,1	6,5

32° Lens

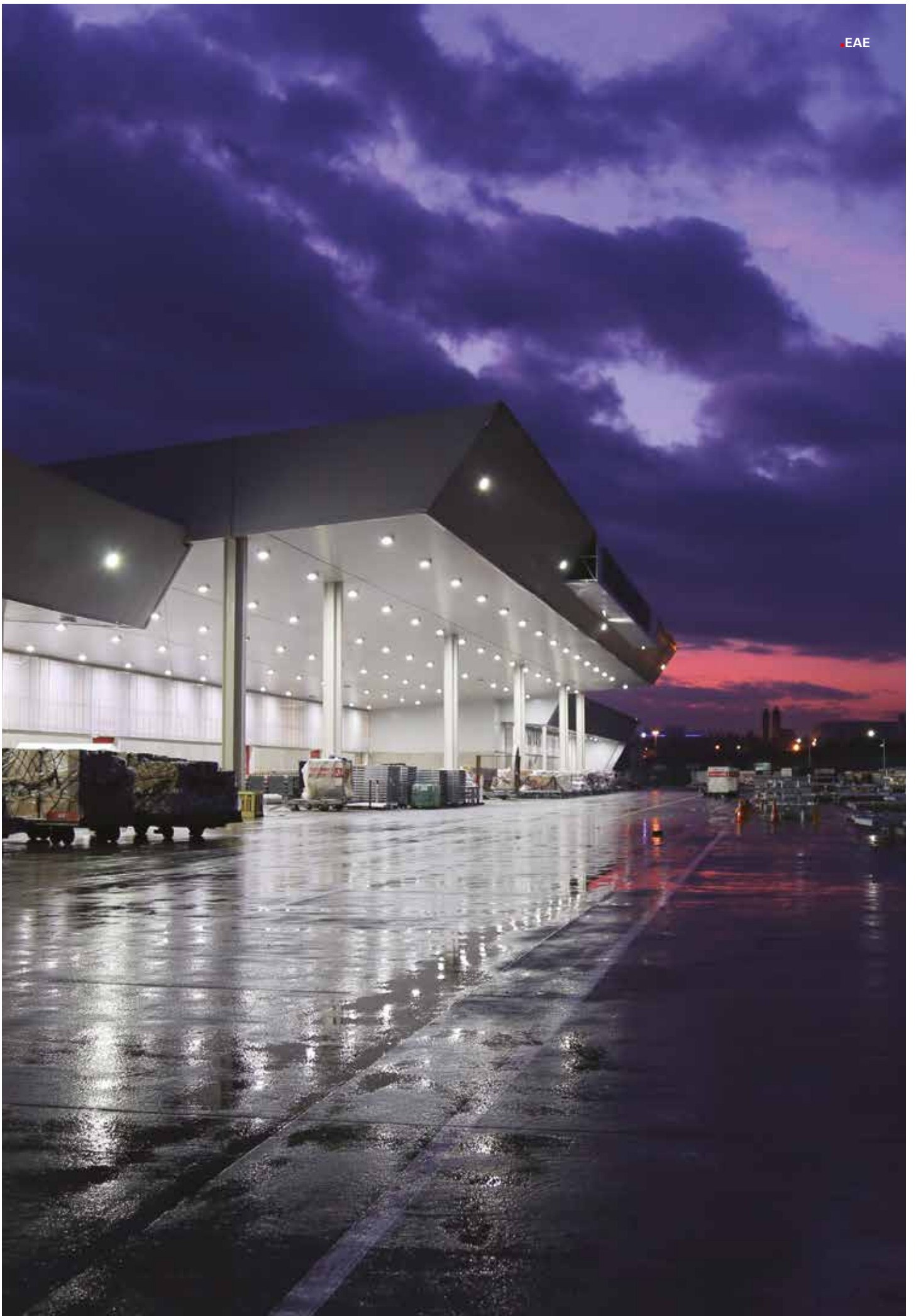
102 W 4000K	PRL 102Z 40SC00 32 14K1 V.3	101,3	6,5
150 W 4000K	PRL 150Z 40SC00 32 19K3 V.3	148,2	6,5
176 W 4000K	PRL 176Z 40SC00 32 21K8 V.3	172,1	6,5
206 W 4000K	PRL 206Z 40SC00 32 25K2 V.3	204,1	6,5

57° Lens

102 W 4000K	PRL 102Z 40SC00 57 14K6 V.3	101,2	6,5
150 W 4000K	PRL 150Z 40SC00 57 19K4 V.3	147,5	6,5
176 W 4000K	PRL 176Z 40SC00 57 22K1 V.3	172,8	6,5
206 W 4000K	PRL 206Z 40SC00 57 25K2 V.3	202,8	6,5

Asymmetric Lens

102 W 4000K	PRL 102Z 40SC00 AS 14K3 V.3	101,4	6,5
150 W 4000K	PRL 150Z 40SC00 AS 19K8 V.3	148,8	6,5
176 W 4000K	PRL 176Z 40SC00 AS 21K8 V.3	170,3	6,5
206 W 4000K	PRL 206Z 40SC00 AS 24K5 V.3	203,6	6,5



PROLIT PLUS

PROJECTOR



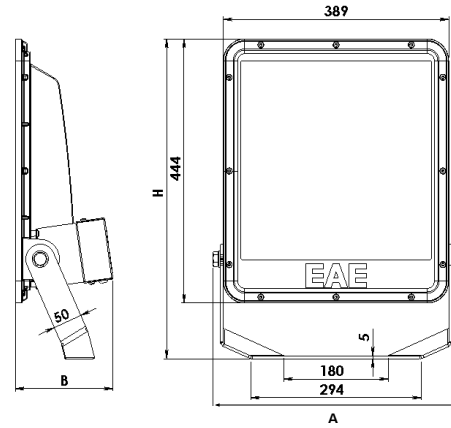
Prolit Plus, the brand new member of Prolit floodlight family, is ideal for all professional outdoor workplaces and sport areas with the expectation of high performance as well as perfect lighting quality and maximum visual comfort. With its minimized housing and optimized technical specifications, Prolit Plus has four variations which perfectly meets the lighting requirements of general open areas, port terminals, airport aprons and roadway tunnels.



Technical Specifications

Housing	: Aluminium injection housing
Optical	: 16° / 27° / 52° / 98° / Asymmetric lens
Diffuser	: Tempered glass with serigraphy
Light Source	: Power LED
Power	: 200 W / 270 W / 308 W
Lumen	: 26000 lm / 35560 lm / 41000 lm
Input Voltage	: 220-240V AC
Color Temp.	: 3000K / 4000K / 5700K / 6500K
CRI	: > 70
IP	: IP66
Installation	: Floor Mounted
Colors	: Black

Technical Drawing



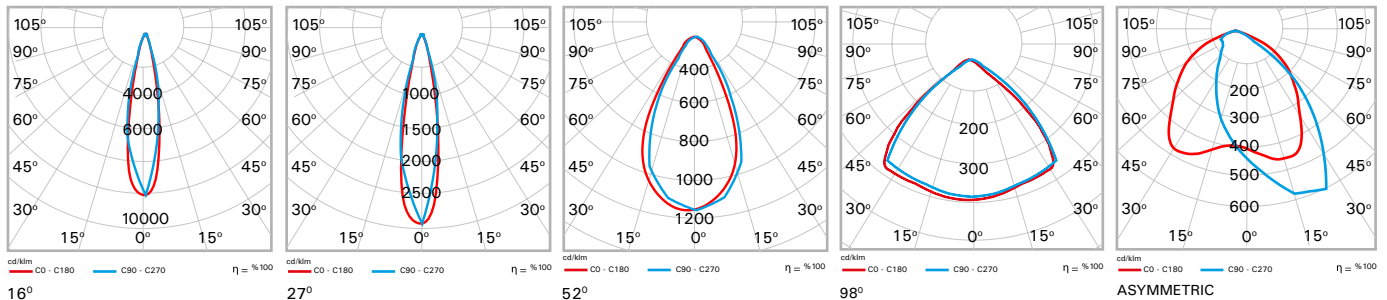
Options

DALI Compatibility	: Yes
DIMKO Compatibility	: Yes

Dimensions (mm)

a	b	h
424	168	537

Photometric Curve



Purchase Order Table

16° Lens

Ürün Açıklaması	Ürün Kodu	Tüketim Gücü (W)	Ağırlık (kg)
270 W 4000K	PRP 270Z 40CM00 16 35K6	266,5	12,5
308 W 4000K	PRP 308Z 40CM00 16 41K0	302,4	12,5

27° Lens

270 W 4000K	PRP 270Z 40CM00 27 34K0	264,4	12,5
308 W 4000K	PRP 308Z 40CM00 27 39K5	309,6	12,5

52° Lens

Product Type	Product Code	Power (W)	Weight (kg)
200 W 4000K	PRP 200Z 40CM00 52 26K3	199	12,5
270 W 4000K	PRP 270Z 40CM00 52 34K9	267,9	12,5
308 W 4000K	PRP 308Z 40CM00 52 39K9	304,7	12,5

98° Lens

270 W 4000K	PRP 270Z 40CM00 98 33K4	265,2	12,5
308 W 4000K	PRP 308Z 40CM00 98 38K9	304,4	12,5

Asymmetric Lens

270 W 4000K	PRP 270Z 40CM00 AS 33K3	265,1	12,5
308 W 4000K	PRP 308Z 40CM00 AS 39K3	306,2	12,5





PROLIT PLUS PORT

PROJECTOR



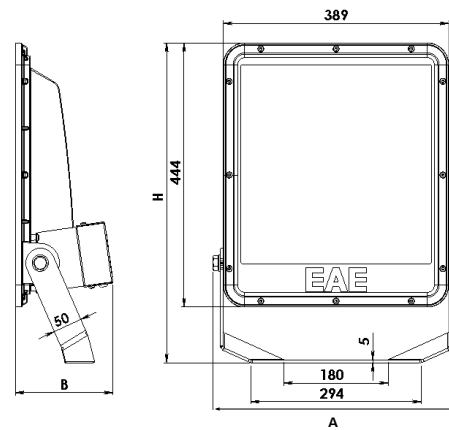
With its optical infrastructure developed specially for port applications, Prolit Plus Port is ideal for the lighting wide open areas with its IP protected body with superior thermal performance that can withstand harsh outdoor conditions as well as its reinforced mounting feet with special coating. Its special optical structure is designed for providing perfect homogeneity without any inclination to the armature. With its long life without need for maintenance, optical feature that provide perfect homogeneity, it helps ensure occupational safety in outdoor work environments.



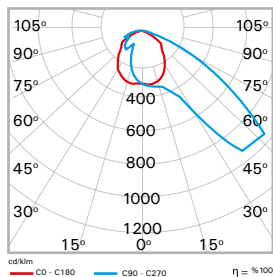
Technical Specifications

Housing	: Aluminium injection housing
Optical	: Lens and Glass
Diffuser	: Tempered glass with serigraphy
Light Source	: Power LED
Power	: 208 W / 371 W
Lumen	: 25663 lm / 44159 lm
Input Voltage	: 220-240 Vac 50-60 Hz
Color Temp.	: 3000K / 4000K / 5700K / 6500K
CRI	: > 70
IP	: IP66
Installation	: Floor Mounted
Colors	: Black

Technical Drawing



Photometric Curve



Dimensions (mm)

a	b	h
424	168	537

Options

DALI Compatibility	: Yes
DIMKO Compatibility	: Yes

Purchase Order Table

Product Type	Product Code	Power (W)	Weight (kg)
208 W 4000K	PRP 208Z 40CM00 AS 25K6 LMN		
371 W 4000K	PRP 371Z 40SC00 AS 44K1 LMN GAYD		



PROLIT PLUS TUNNEL

PROJECTOR



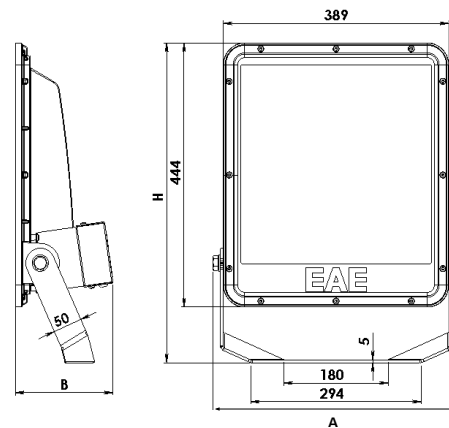
Designed to meet different optical needs of tunnel applications, Prolit Plus Tunnel is ideal for all tunnel applications in which perfect visual comfort is expected in addition to high performance with its IP protected body with superior thermal performance that can withstand harsh outdoor conditions as well as its reinforced mounting feet with special coating. Prolit Plus Tunnel warrants excellent lighting performance with its long life without need for maintenance, body options which differ depending on installation method and optical variety designed according to the tunnel width and sections.



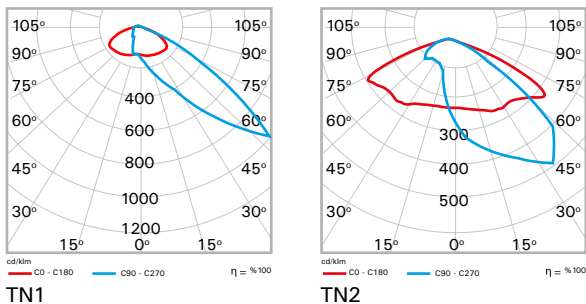
Technical Specifications

Housing	: Aluminium injection housing
Optical	: 4mm Tempered glass + Lens
Diffuser	: Tempered glass with serigraphy
Light Source	: Power LED
Power	: 270 W
Lumen	
TN1	: 32710 lm
TN2	: 36095 lm
Input Voltage	: 220-240 Vac 50-60 Hz
Color Temp.	: 3000K / 4000K / 5700K / 6500K
CRI	: > 70
IP	: IP66
Installation	: Floor Mounted
Colors	: Black

Technical Drawing



Photometric Curve



Dimensions (mm)

a	b	h
424	168	537

Options

DALI Compatibility	: Yes
DIMKO Compatibility	: Yes

Purchase Order Table

Product Type	Product Code	Power (W)	Weight (kg)
270 W 4000K	PRP 270Z 40CM00 AS 32K7 TN1 SINGLE		
270 W 4000K	PRP 270Z 40CM00 AS 36K0 TN2 MULTI		



PROLIT 0 TILT

PROJECTOR



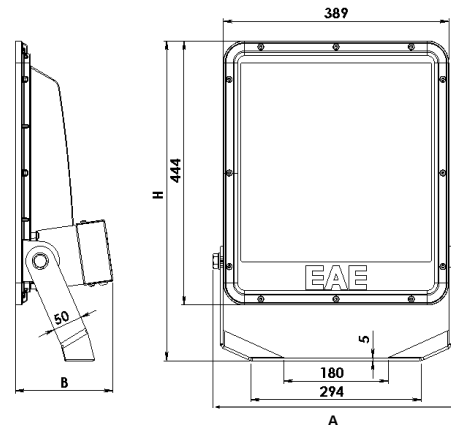
Prolit Plus 0 Tilt, the brand new member of Prolit floodlight family, is ideal for all professional outdoor workplaces and sport areas with the expectation of high performance as well as perfect lighting quality and maximum visual comfort. With its minimized housing and optimized technical specifications, Prolit Plus has four variations which perfectly meets the lighting requirements of general open areas, port terminals, airport aprons and roadway tunnels.



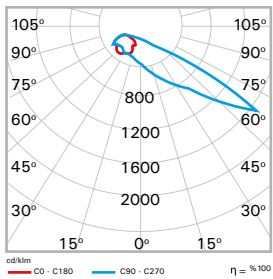
Technical Specifications

Housing	: Aluminium injection housing
Optical	: Lens and Glass
Diffuser	: Tempered glass with serigraphy
Light Source	: Power LED
Power	: 208 W / 375 W
Lumen	: 25600 lm / 41900 lm / 83800 lm
Input Voltage	: 220-240 Vac 50-60 Hz
Color Temp.	: 3000K / 4000K / 5700K / 6500K
CRI	: > 70
IP	: IP66
Installation	: Floor Mounted
Colors	: Black

Technical Drawing



Photometric Curve



Dimensions (mm)

a	b	h
424	168	537

Options

DALI Compatibility	: Yes
DIMKO Compatibility	: Yes

Purchase Order Table

Product Type	Product Code	Power (W)	Weight (kg)
208 W 4000K	LMN 208Z 40CM00 AS 25K6 LIMAN ASM 0 TILIT		
375 W 4000K	LMN 375Z 40CM00 AS 42K0 LIMAN ASM 0 TILIT		



PROLIT-M PR V.2



PROJECTOR

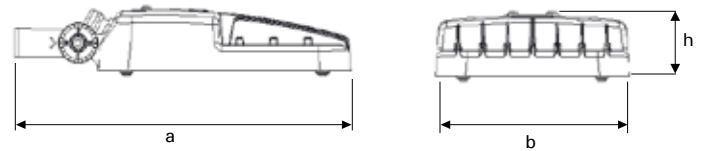
PROLIT-M PR V.2, with its compact body minimized to minimal sizes, is ideal for usage in external environment conditions where a balanced coexistence of performance and economy is needed.



Technical Specifications

Housing	: Aluminium injection housing
Optical	: 65° / 110° / Asymmetric lens / Wide angle lens
Diffuser	: Tempered clear glass
Light Source	: Power LED
Power	
Wide angle	: 30 W
65°	: 43 W / 60 W
110°	: 43 W / 60 W
Asymmetric	: 43 W / 60 W
Lumen	
Wide angle	: 3810 lm
65°	: 5639 lm / 7951 lm
110°	: 5330 lm / 7026 lm
Asymmetric	: 4854 lm / 6592 lm
Input Voltage	: 220-240V AC 50/60Hz
Color Temp.	: 3000K / 4000K / 5000K / 6500K
CRI	: > 70
IP	: IP66
Installation	: Floor / Wall
Colors	: Black

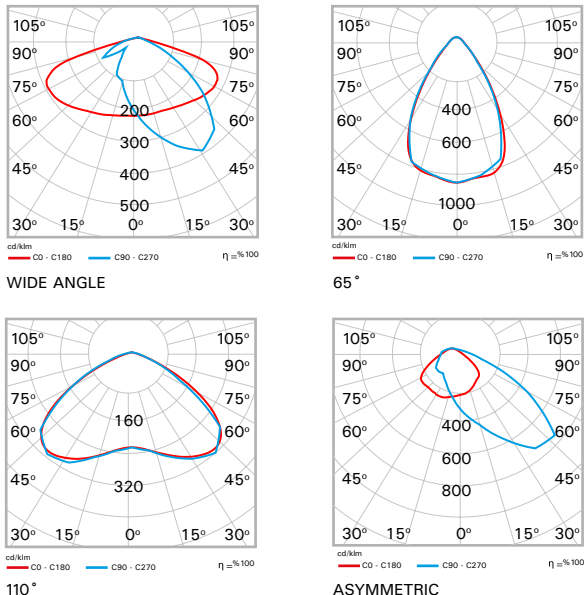
Technical Drawing



Dimensions (mm)

a	b	h
342	191	68

Photometric Curve



Options

DALI Compatibility : Yes

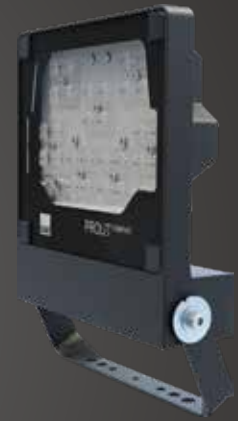
Purchase Order Table

Product Type	Product Code	Power (W)	Weight (kg)
30 W / Wide angle / 5700K	PRM 030D 57CM00 WL 3K81 PR V2	29,4	2,1
43 W / 065D / 5700K	PRM 043D 57CM00 065 5K63 PR V2	42,2	2,8
43 W / 110D / 5700K	PRM 043D 57CM00 110 5K33 PR V2	43	2,8
43 W / Asymmetric / 5700K	PRM 043D 57CM00 AS 4K85 PR V2	42,6	2,8
60 W / 065D / 5700K	PRM 060D 57CM00 065 7K95 PR V2	60,4	2,8
60 W / 110D / 5700K	PRM 060D 57CM00 110 7K02 PR V2	58,2	2,8
60 W / Asymmetric / 5700K	PRM 060D 57CM00 AS 6K59 PR V2	59,8	2,8



PROLIT KOMPAKT V.3

PROJECTOR



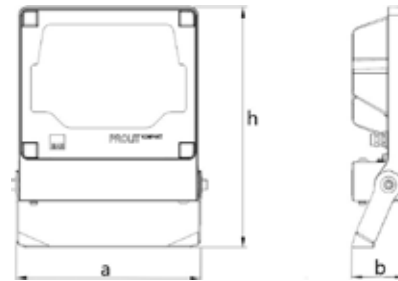
An efficient alternative to general purpose HID floodlights with wide range of optic choice to cover the requirements of low area lighting, building surroundings and facade lighting. Ultra lightweight, compact housing design which provides maximum performance, ease of installation and high mechanical resistance make Prolit Kompakt ideal solution for multi-purpose floodlight applications. DALI, 1-10V, DIMKO control options are available.



Technical Specifications

Housing	: Aluminium injection housing
Optical	: 16° / 27° / 35° / 52° / 60° / 90° / 98° / Asymmetric
Diffuser	: Tempered sanded glass / Tempered glass
Light Source	: Mid Power LED / Power LED
Power	
Power Led	: 75 W (27°) / 75 W (52°) / 75 W (98°) / 75 W (AS) / 95 W (16°) 95 W (27°) / 95 W (52°) / 95 W (98°) / 95 W (AS)
Mid Power Led	: 70 W (35°) / 70 W (60°) / 95 W (35°) / 95 W (35°) / 95 W (60°) 95 W (90°)
Lumen	
Power Led	: 7647 lm / 7474 lm / 7550 lm / 7371 lm / 11206 lm 10788 lm / 10881 lm / 10534 lm / 10231 lm
Mid Power Led	: 7625 lm / 7810 lm / 10767 lm / 11366 lm / 11008 lm
Input Voltage	: 220-240V AC 50/60Hz
Color Temp.	: 3000K / 4000K / 5700K
CRI	: >80 / >70
IP	: IP66
Installation	: Floor / Wall / Ceiling
Colors	: SW 306G

Technical Drawing



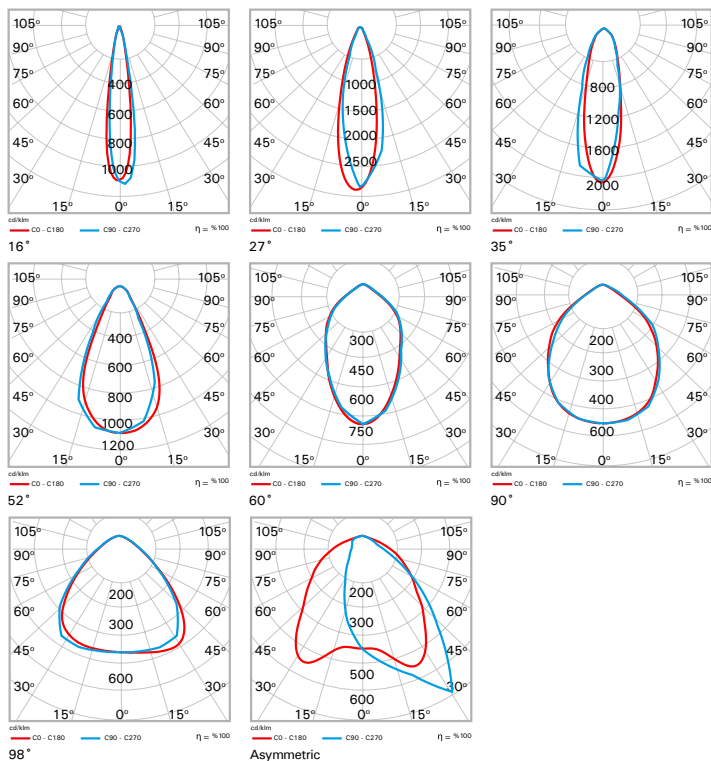
Dimensions (mm)

a	b	h
276	77	330

Options

DALI Compatibility	: Yes
DIMKO Compatibility	: Yes
Control Option	: 1-10V

Photometric Curve



Purchase Order Table

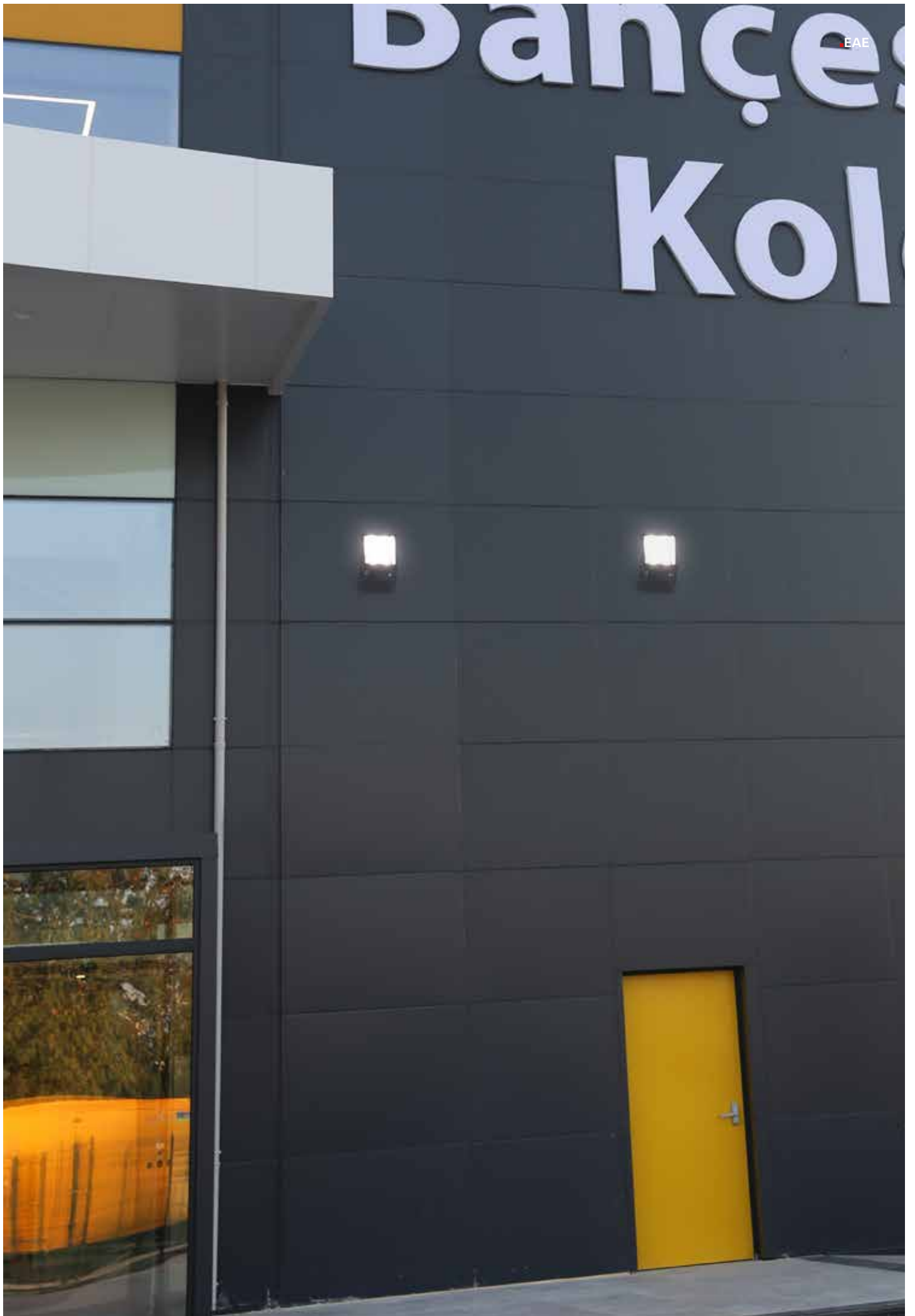
Power Led

Product Type	Product Code	Power (W)	Weight (kg)
75 W / 27° Lens / 4000K	PRK 075Z 40CM00 27 7K70 V.3	74,9	3,6
75 W / 52° Lens / 4000K	PRK 075Z 40CM00 52 7K50 V.3	71,7	3,6
75 W / 98° Lens / 4000K	PRK 075Z 40CM00 98 7K60 V.3	75,2	3,6
75 W / AS / 4000K	PRK 075Z 40CM00 AS 7K40 V.3	75	3,6
95 W / 16° Lens / 4000K	PRK 096Z 40CM00 16 11K2 V.3	96,4	3,6
95 W / 27° Lens / 4000K	PRK 096Z 40CM00 27 10K8 V.3	96,6	3,6
95 W / 52° Lens / 4000K	PRK 096Z 40CM00 52 10K9 V.3	97	3,6
95 W / 98° Lens / 4000K	PRK 096Z 40CM00 98 10K6 V.3	97,5	3,6
95 W / AS / 4000K	PRK 096Z 40CM00 AS 10K3 V.3	95,7	3,6

Mid Power Led

Product Type	Product Code	Power (W)	Weight (kg)
70 W / 35° Lens / 4000K	PRK 070Z 40CM00 35 7K70 V.3	69,9	3,6
70 W / 60° Lens / 4000K	PRK 070Z 40CM00 60 7K90 V.3	68,3	3,6
95 W / 35° Lens / 4000K	PRK 095Z 40CM00 35 10K8 V.3	93,6	3,6
95 W / 60° Lens / 4000K	PRK 095Z 40CM00 60 11K4 V.3	96,9	3,6
95 W / 90° Lens / 4000K	PRK 095Z 40CM00 90 11K0 V.3	95,4	3,6







PROJECTORS

STRONG BODY

HIGH EFFICIENCY

EAE LIGHTING-Brochure **PROJECTORS** - ENG - Update Date: 18.06.2020
EAE. is provided with the right to perform changes deemed necessary without notifying in advance.
Please contact us for further information about products and details partaking in catalogue.



EAE LIGHTING Inc.
Ikitelli Organize Sanayi Bolgesi
Eski Turgut Ozal Caddesi No:20
Basaksehir / ISTANBUL - TURKEY
Tel : +90 212 413 21 00 (pbx)
Fax : +90 212 549 37 90
www.eaelighting.com



engineering the light