



***ROAD &
ENVIRONMENT***
LIGHTING LUMINAIRES

COMMON SOLUTION FOR DIFFERENT SECTORS



Outdoor Lighting

ROAD& ENVIRONMENT

LIGHTING LUMINAIRES



ROAD & ENVIRONMENT LIGHTING

Belonging to a new range of products, RA, RA2 and RA3 street lightings stand out with their excellent design. Our LED fixtures evoke a sense of elegance with their modern appearance and at the same time provide significant energy saving thanks to their technically high efficiency.

M5-M4-M3-M2 have become the ideal product range for road applications due to their optical options that fully comply with the road class criteria.

They enable Horizontal and Vertical suspension possibilities via a single support system, eliminating the difficulty of suspension selection according to the type of pole, and offer the possibility of adjusting the angle on the same suspension within the limits of -15.. +15 degrees by allowing an adjustment of 5 degrees at each step. The water level on the back of the fixture provides great convenience for accurate RIGHT-LEFT balancing during installation.

I N D E X

MODEL

RA	6
RA2	8
RA3	9
PB2 PB	10

OUTDOOR LIGHTING



RA

ENVIRONMENT LIGHTING LUMINAIRE



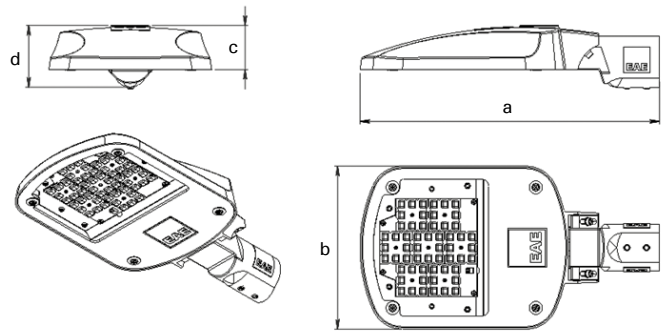
Offering the outdoor lighting in minimum energy and maximum comfort, RA, shows a great performance for many years by its modern look and many advantages the LED technology provides.



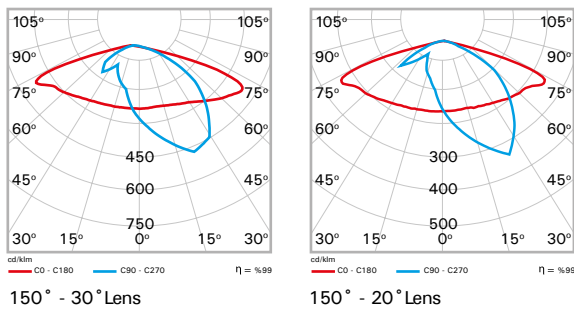
Technical Specifications

Housing	: Aluminium injection housing
Optical	: Wide angle lens
Diffuser	: Tempered transparent glass
Light Source	: Power LED
Power	: 24 W / 30 W / 44 W / 52 W
Lumen	: 3215 lm / 3530 lm / 5881 lm / 6247 lm
Input Voltage	: 220-240 V / 50-60 Hz
Color Temp.	: 4000K / 5700K
CRI	: > 70
IP	: IP66
Installation	: Column / Wall
Colors	: SW 306G

Technical Drawing



Photometric Curve



Dimensions (mm)

a	b	c	d
460	250	68	98

Purchase Order Table

150° - 30° Lens

Product Type	Product Code	Power (W)	Weight (kg)
25 W 4000K	RA 025D 40SC00 100 3K57	25,9	3,5
30 W 4000K	RA 030D 40SC00 100 3K74	30,3	3,5
45 W 4000K	RA 045D 40SC00 110 6K00	45,7	3,5
52 W 4000K	RA 052D 40SC00 110 6K34	52,2	3,5

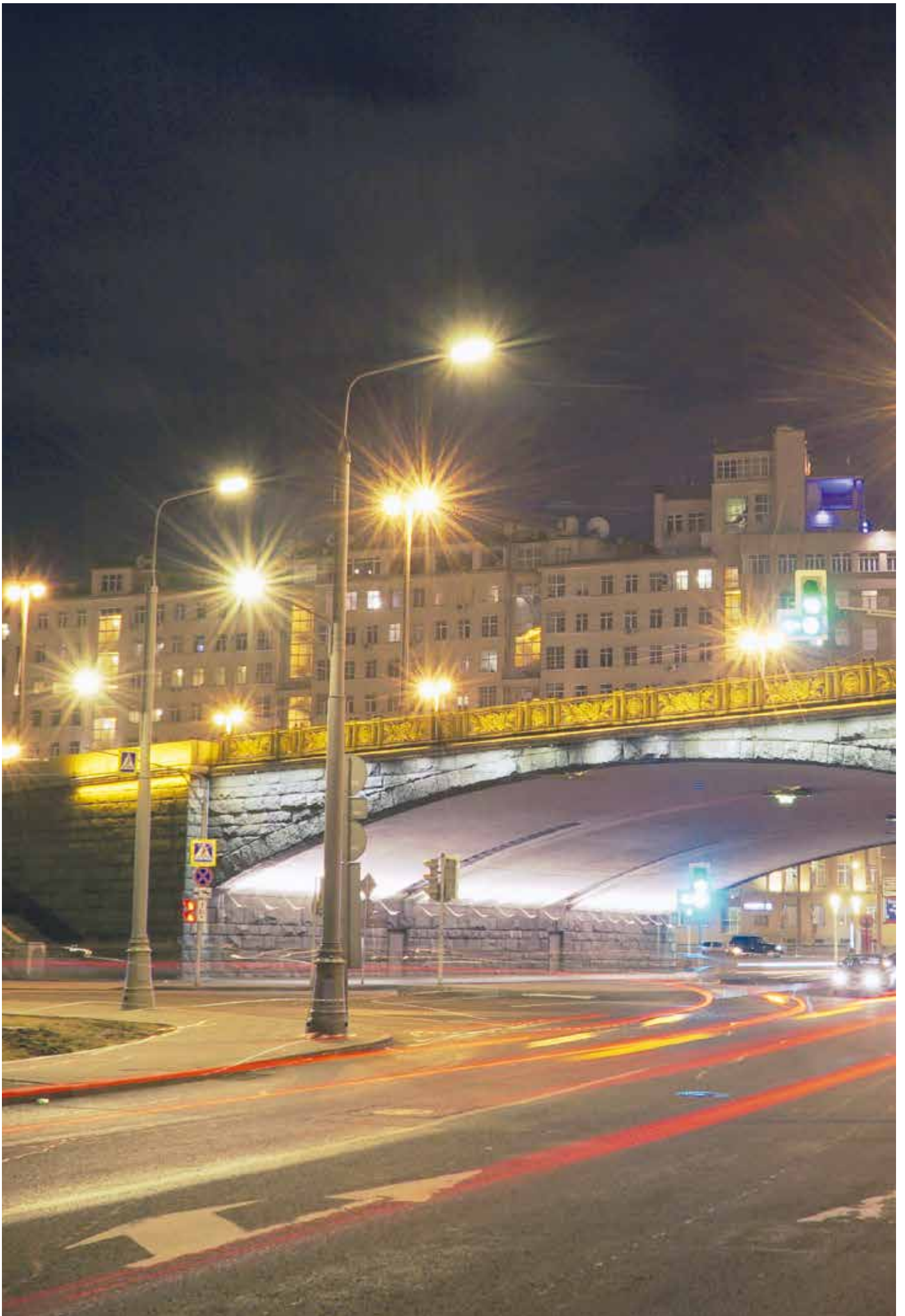
150° - 20° Lens

Product Type	Product Code	Power (W)	Weight (kg)
25 W 4000K	RA 025D 40SC00 110 3K57	25,9	3,5
30 W 4000K	RA 030D 40SC00 110 3K74	30,3	3,5
45 W 4000K	RA 045D 40SC00 110 6K00	45,7	3,5
52 W 4000K	RA 052D 40SC00 110 6K34	52,2	3,5

Options

DALI Compatibility	: Yes
DIMKO Compatibility	: Yes





RA2

ENVIRONMENT LIGHTING LUMINAIRE



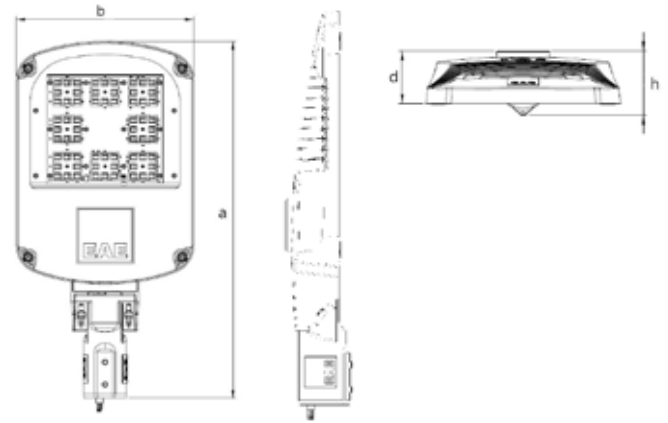
Offering the outdoor lighting in minimum energy and maximum comfort, RA2, shows a great performance for many years by its modern look and many advantages the LED technology provides.



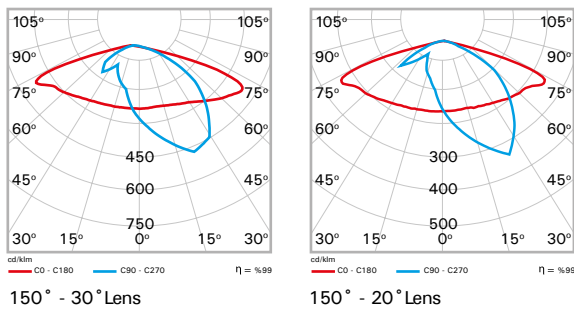
Technical Specifications

Housing	: Aluminium injection housing
Optical	: Wide angle lens
Diffuser	: Tempered transparent glass
Light Source	: Power LED
Power	: 30 W / 54 W / 65 W / 103 W
Lumen	
(150° - 20°)	: 3756 lm / 6732 lm / 8406 lm / 13786 lm
(150° - 30°)	: 3637 lm / 6477 lm / 8158 lm / 13470 lm
Input Voltage	: 220-240 V / 50-60 Hz
Color Temp.	: 4000K / 5000K / 6500K
CRI	: > 70
IP	: IP66
Installation	: Column / Wall
Colors	: SW 306G

Technical Drawing



Photometric Curve



Dimensions (mm)

a	b	h	d
439	310	104	85

Purchase Order Table

150° - 30° Lens			
Product Type	Product Code	Power (W)	Weight (kg)
30 W 4000K	RA2 030D 40SC00 110 3K76	30,4	6,7
54 W 4000K	RA2 054D 40SC00 110 6K73	53,9	6,7
65 W 4000K	RA2 065D 40SC00 110 8K40	65,5	6,7
103 W 4000K	RA2 103D 40SC00 110 13K7	102,9	6,7

150° - 20° Lens			
Product Type	Product Code	Power (W)	Weight (kg)
30 W 4000K	RA2 030D 40SC00 100 3K76	30,4	6,7
54 W 4000K	RA2 054D 40SC00 100 6K73	53,9	6,7
65 W 4000K	RA2 065D 40SC00 100 8K40	65,5	6,7
103 W 4000K	RA2 103D 40SC00 100 13K7	102,9	6,7

Options

Colors Temperatures	: 5000K / 6500K
Electronic Control	: DALI / RF Control



RA3

ENVIRONMENT LIGHTING LUMINAIRE



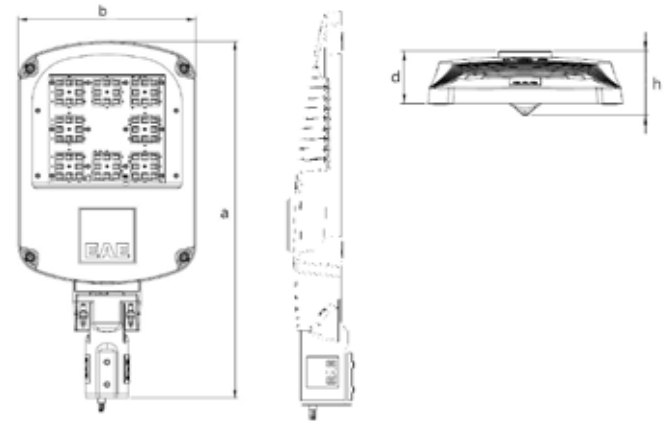
RA3, which is the brand-new member of RA product family, has been designed to fulfill all lighting requirements of ME1-ME2 class streets perfectly thanks to its optimized housing which reaches up to 28.000 lumen output and 2 different optic choice. Smart mounting kit with the sensitive movement ability offers ease of installation. RA3 offers high energy saving which reaches up to 135 lm/W efficacy and it is perfect for both new projects and replacement projects. DALI and RF wireless system control options are available.



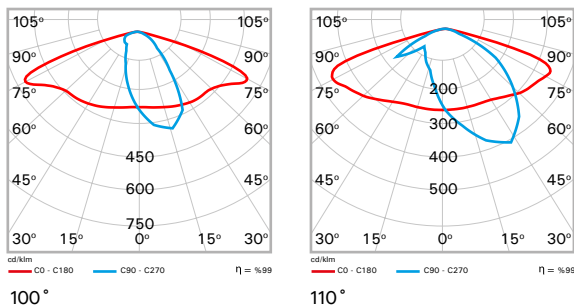
Technical Specifications

Housing	: Aluminium injection housing
Optical	: Wide angle lens
Diffuser	: Tempered transparent glass
Light Source	: Power LED
Power	: 112 W / 136 W / 150 W / 160 W / 218 W
Lumen	
	(100°) : (136W) 17927 lm / (160W) 20650 lm
	(110°) : (136W) 18241 lm / (160W) 21121 lm
Input Voltage	: 220-240 V / 50-60 Hz
Color Temp.	: 4000K / 5000K / 6500K
CRI	: > 70
IP	: IP66
Installation	: Column / Wall
Colors	: SW 306G

Technical Drawing



Photometric Curve



Dimensions (mm)

a	b	h	d
705	310	104	85

Purchase Order Table

100° Lens			
Product Type	Product Code	Power (W)	Weight (kg)
112 W 4000K	RA3 112D 40SC00 100 15K5	112	8,3
136 W 4000K	RA3 136D 40SC00 100 17K8	137,2	8,3
150 W 4000K	RA3 150D 40SC00 100 19K7	150	8,3
160 W 4000K	RA3 160D 40SC00 100 20K4	161,4	8,5
218 W 4000K	RA3 218D 65SC00 100 27K7	218	8,5

Options

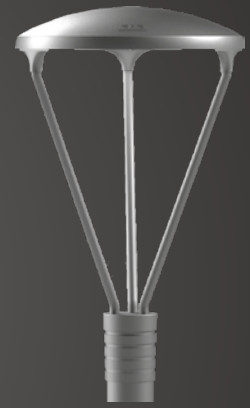
Colors Temperatures	: 5000K / 6500K
Electronic Control	: DALI / RF Control

110° Lens			
Product Type	Product Code	Power (W)	Weight (kg)
112 W 4000K	RA3 112D 40SC00 110 15K5	112	8,3
136 W 4000K	RA3 136D 40SC00 110 17K8	134,4	8,3
150 W 4000K	RA3 150D 40SC00 110 19K7	150	8,3
160 W 4000K	RA3 160D 40SC00 110 20K4	162,2	8,5



PB2 PB V.2

ENVIRONMENT LIGHTING LUMINAIRE



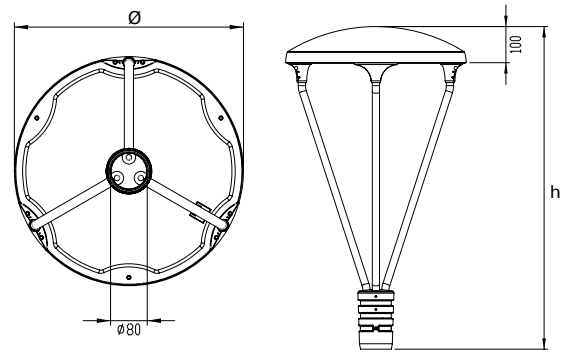
PB2 PB, with three-sleeves, round housing structure with the landscape and urban areas is used for ambient lighting. The rounded hull the finish on the surface prevents the accumulation of dust and dirt.



Technical Specifications*

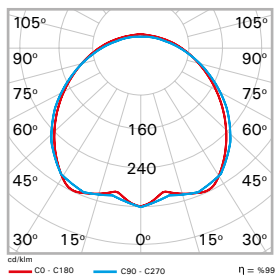
Housing	: Aluminium injection housing
Optical	: High efficiency opal diffuser
Diffuser	: Tempered glass
Light Source	: Mid Power LED
Power	: 20 W / 40 W / 64 W
Input Voltage	: 220-240V AC 50/60Hz
Color Temp.	: 4000K / 5700K
CRI	: > 70
IP	: IP66
Installation	: Park / Garden
Colors	: Black

Technical Drawing



* Technical specifications have \pm %7 tolerance.

Photometric Curve



Dimensions (mm)

Ø	h
500	893

Options

DALI Compatibility	: Yes
DIMKO Compatibility	: Yes

Purchase Order Table

Product Type	Product Code	Power (W)	Weight (kg)
	PB2 020U 40FS00 3A LLLPB V2		
	PB2 040U 40FS00 3A 4K70PB V2		
	PB2 064U 40FS00 3A 7K10PB V2		







ROAD & ENVIRONMENT ***LIGHTING LUMINAIRES***

EAE LIGHTING-Brochure **ROAD & ENVIRONMENT** - ENG - Uptade Date: 18.06.2020
EAE, is provided with the right to perform changes deemed necessary without notifying in advance.
Please contact us for further information about products and details partaking in catalogue.



EAE LIGHTING Inc.
Ikitelli Organize Sanayi Bolgesi
Eski Turgut Ozal Caddesi No:20
Basaksehir / ISTANBUL - TURKEY
Tel : +90 212 413 21 00 (pbx)
Fax : +90 212 549 37 90
www.eaelighting.com



engineering the light