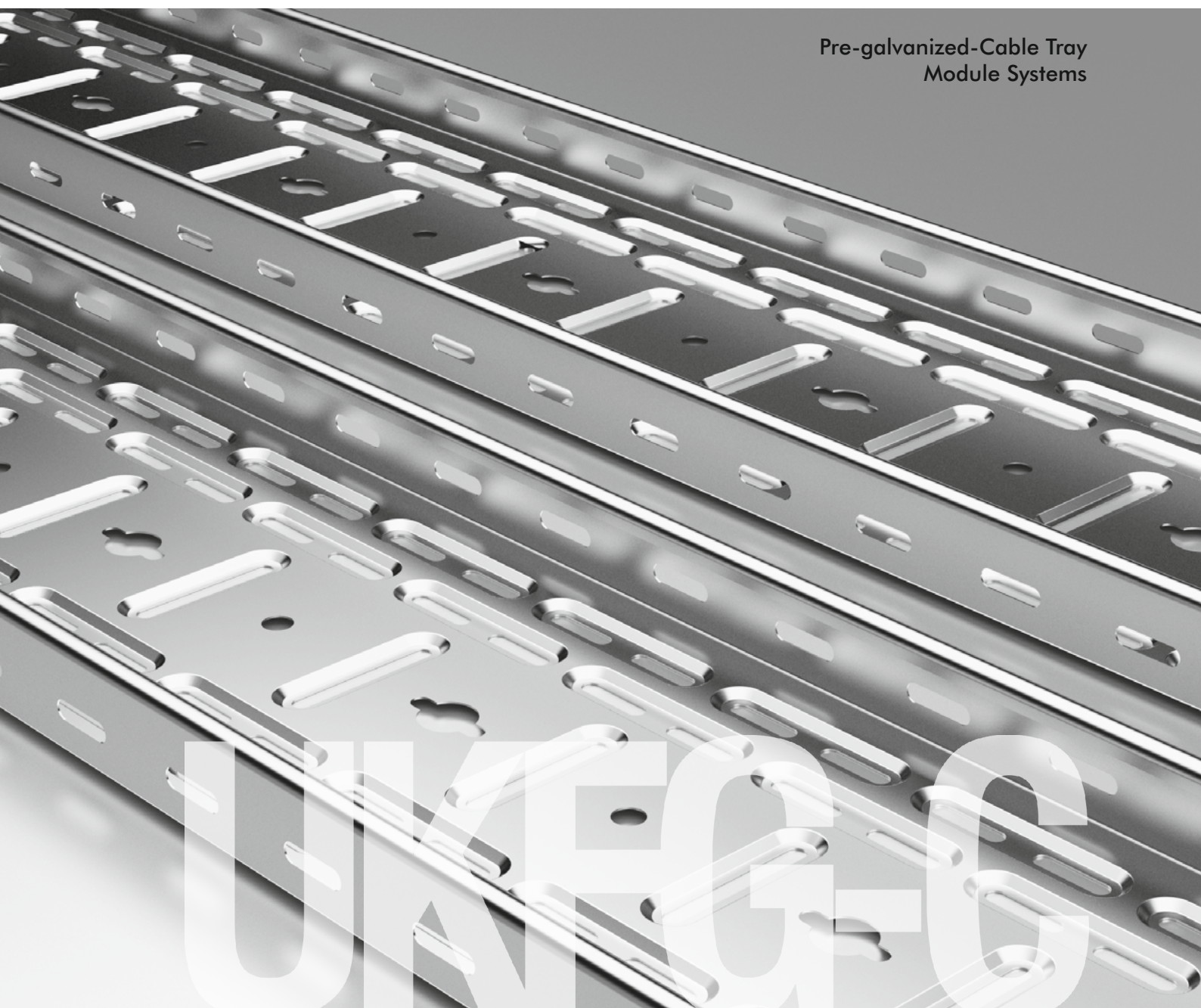


E-LINE UKFG-C

CABLE SUPPORT SYSTEMS



Pre-galvanized-Cable Tray
Module Systems



E-Line UKFG-C

Cable Tray and Modules

UKFG DD (Page 11)
Convex Module

UKFG YD (135°) (Page 7)
Horizontal Elbow Module

UKFG AD (Page 9)
“+” Connection Module

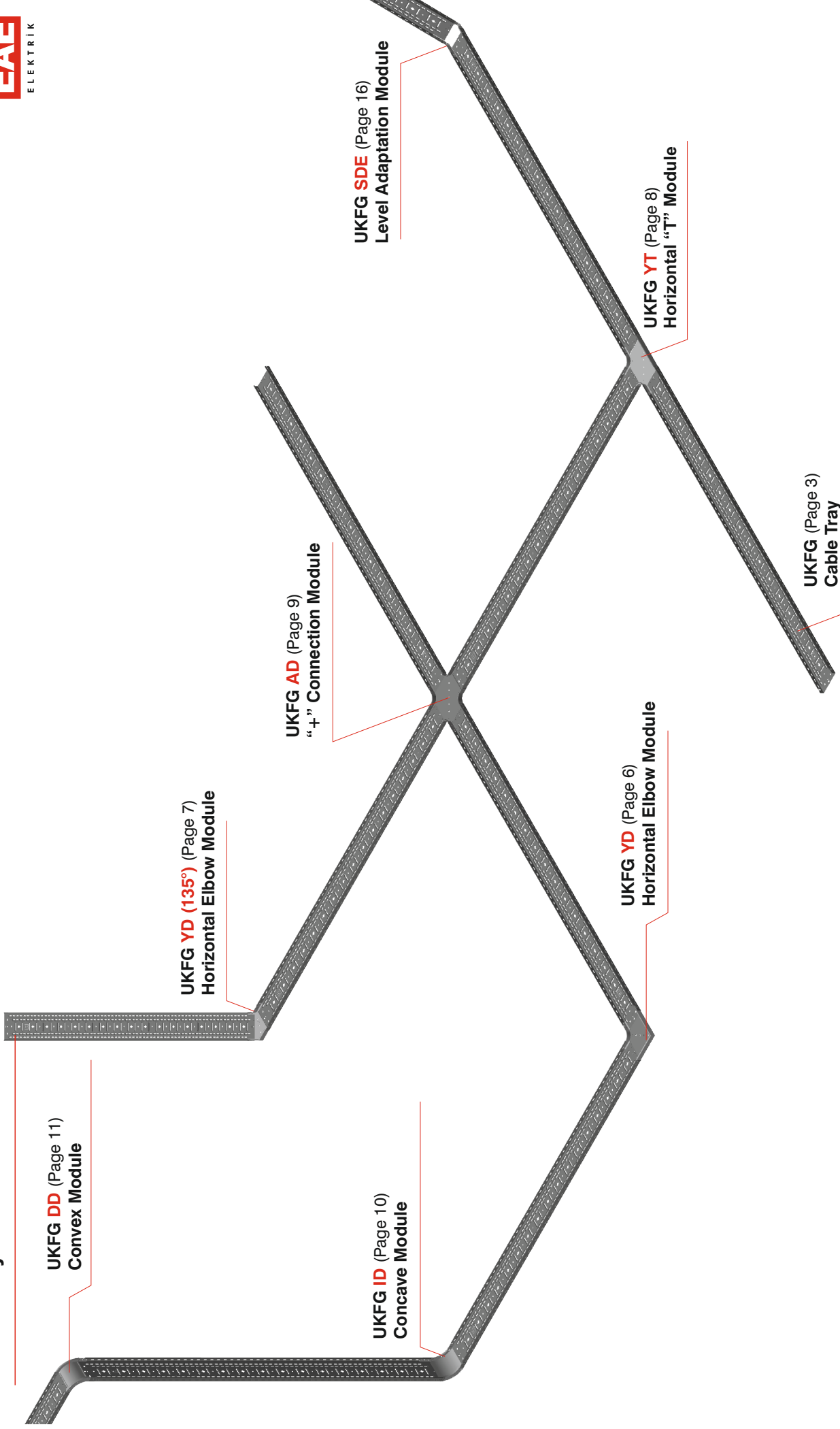
UKFG ID (Page 10)
Concave Module

UKFG YD (Page 6)
Horizontal Elbow Module

UKFG YT (Page 8)
Horizontal “T” Module

UKFG SDE (Page 16)
Level Adaptation Module

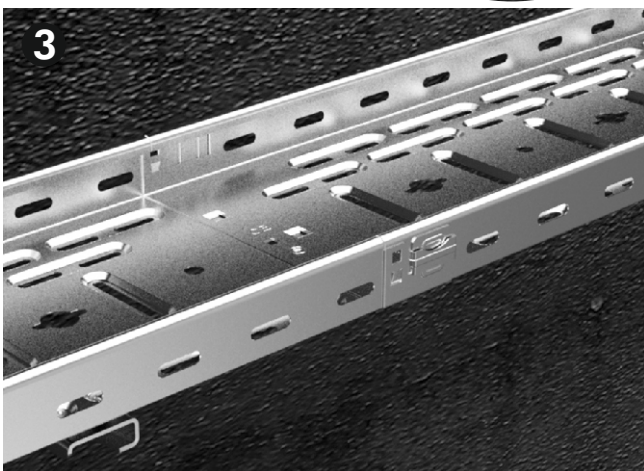
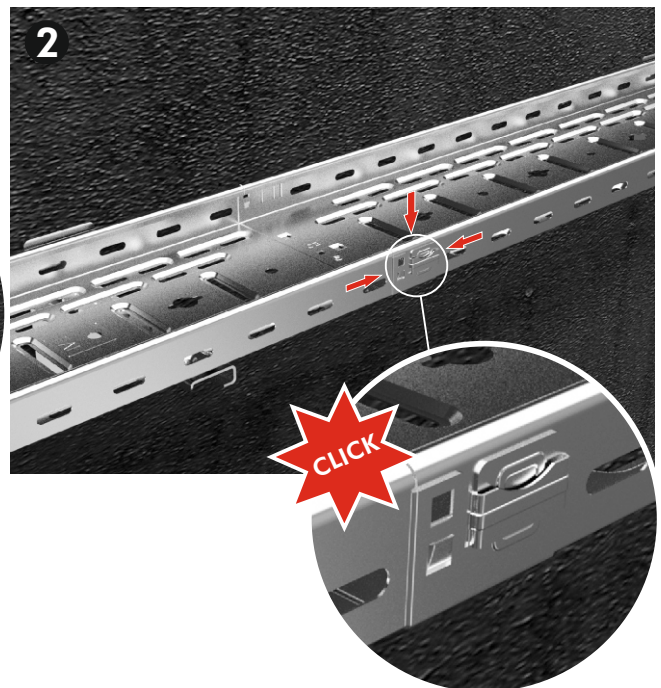
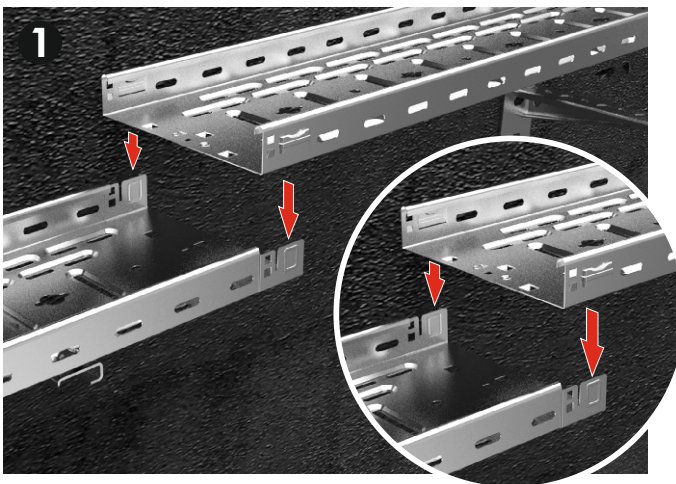
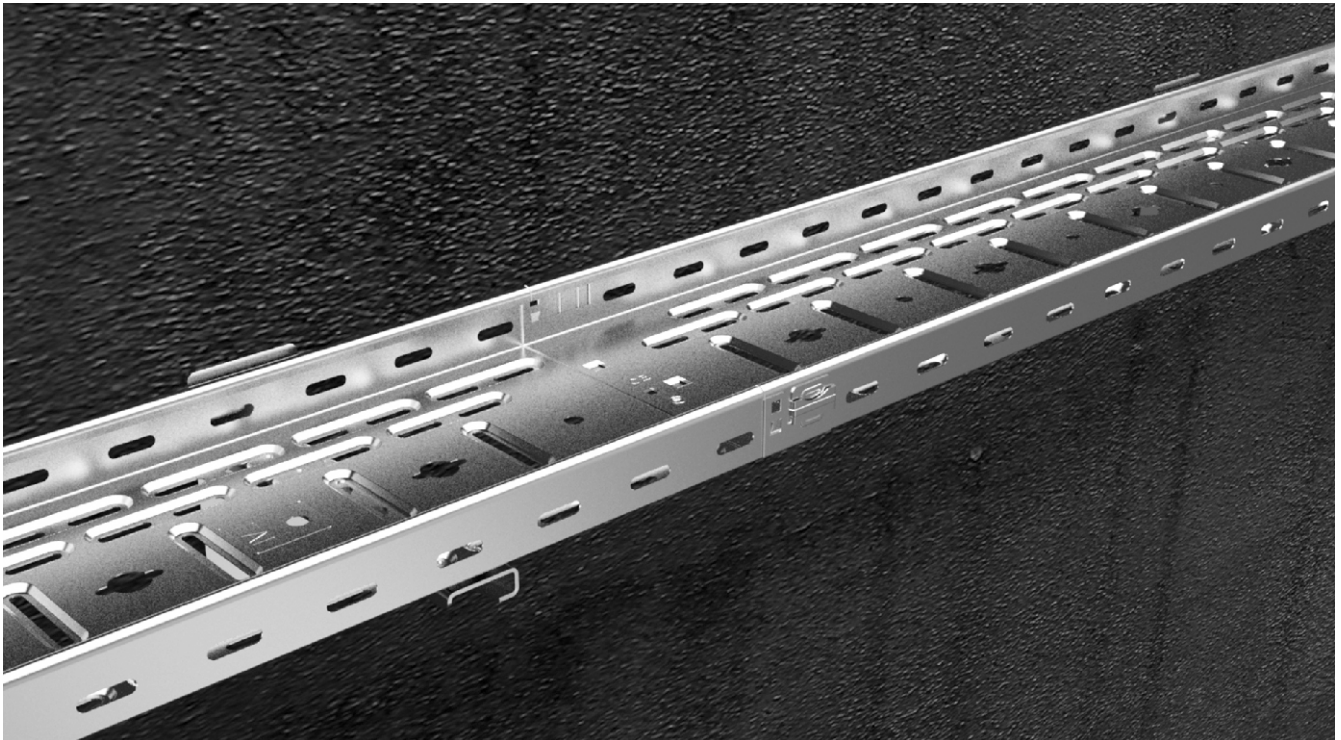
UKFG (Page 3)
Cable Tray



CONTENTS

2-3	UKFG Cable Tray Systems
4-5	UKF-C Cable Tray Systems
6-11	UKFG-C Cable Tray Modules
12-15	UKFG-C Cable Tray Covers and Module Covers
16	UKFG-C Level Adaptation Joint Set
17-18	UKFG-C Reduction
19	UKFG-C Level Adaptation Joint Set
20	UKFG-C Cover Clamps / Joint Set / Seperator

▶▶ UKFG (SNAP-ON) **CABLE SUPPORT SYSTEMS** and **ACCESSORIES**



Earthing Jumper should be used.

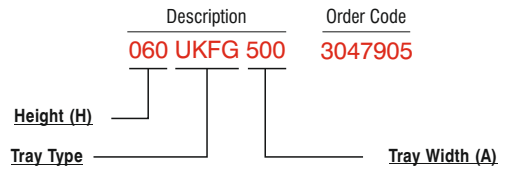
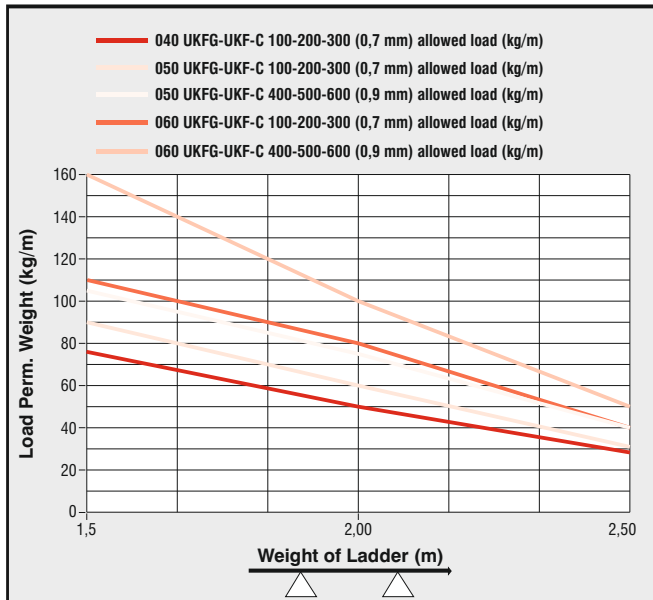
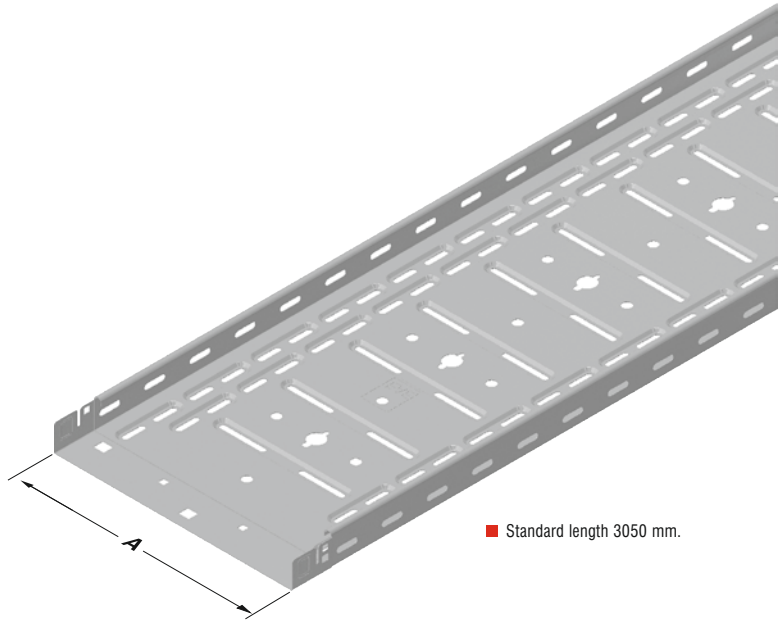
- Save from workmanship cost with the help of click design.
- Higher load capacity is coming with special formed design against standard perforation system.
- Provide faster installation time compared to standard cable trays fixing with couplers.

- Material weights may vary by $\pm 10\%$
- Please indicate order code in your orders.
- Standard length is 3050 mm.

▶▶ UKFG CABLE TRAY

Pre-galvanized (TS EN 10346 - TS EN 10143)

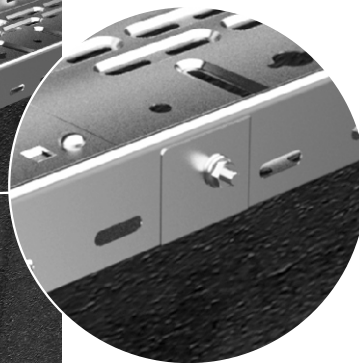
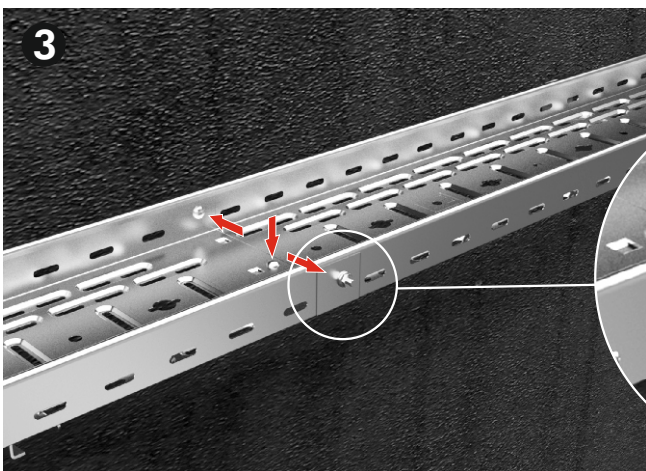
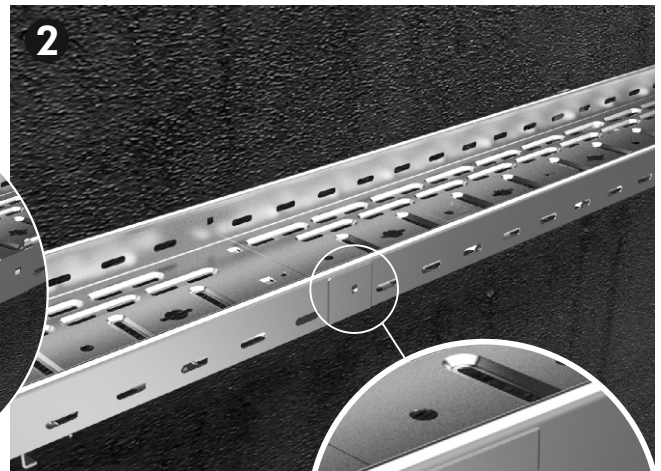
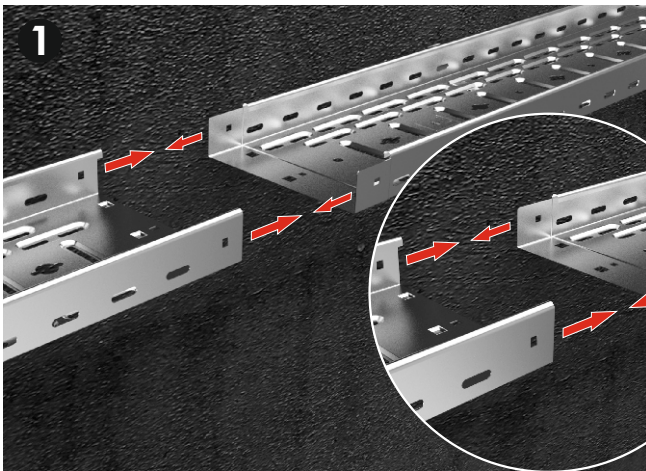
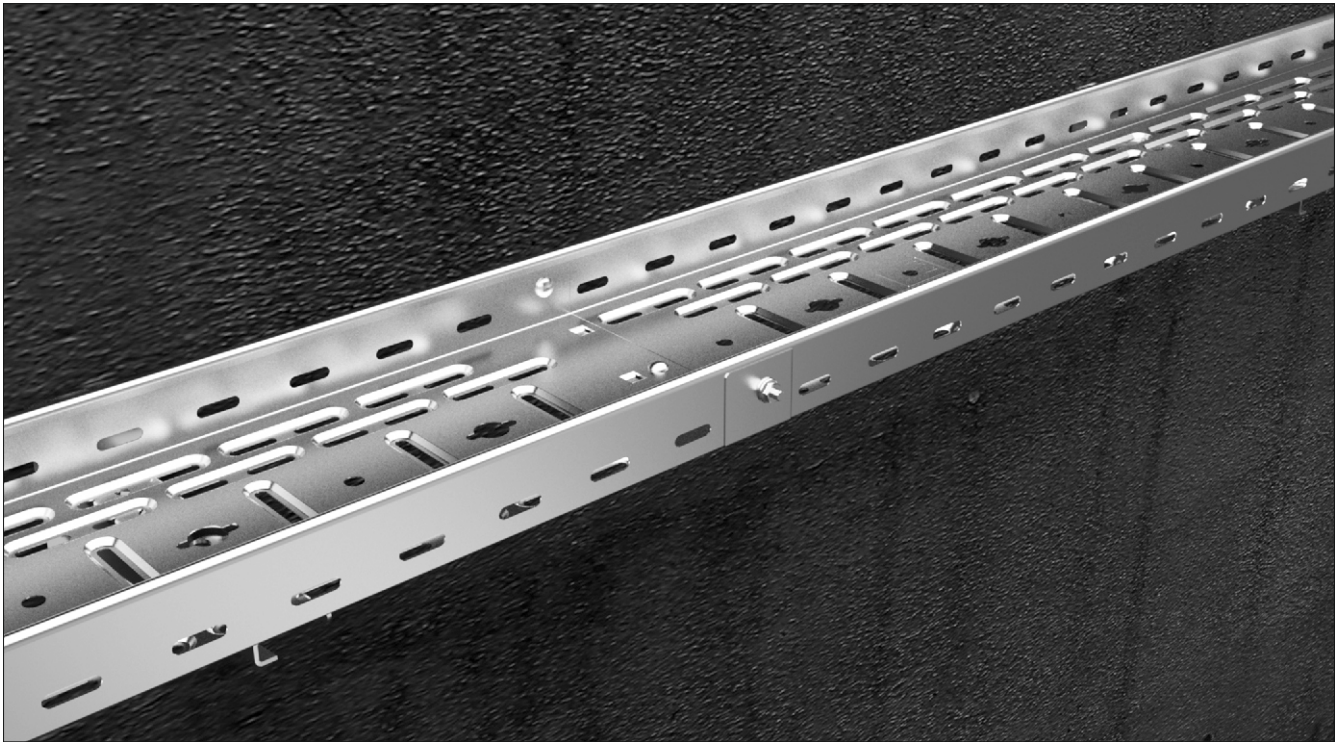
Description	H (mm)	A (mm)	T (mm)	Weight (kg./m.)	Order Code
040 UKFG 100	40	100	0,7	1,024	3047898
040 UKFG 200	40	200	0,7	1,511	3047899
040 UKFG 300	40	300	0,7	2,063	3047900
050 UKFG 100	50	100	0,7	1,150	3049003
050 UKFG 200	50	200	0,7	1,623	3049004
050 UKFG 300	50	300	0,7	2,152	3049005
050 UKFG 400	50	400	0,9	3,449	3049006
050 UKFG 500	50	500	0,9	4,126	3049007
050 UKFG 600	50	600	0,9	4,813	3049008
060 UKFG 100	60	100	0,7	1,305	3047901
060 UKFG 200	60	200	0,7	1,735	3047902
060 UKFG 300	60	300	0,7	2,263	3047903
060 UKFG 400	60	400	0,9	3,593	3047904
060 UKFG 500	60	500	0,9	4,270	3047905
060 UKFG 600	60	600	0,9	4,957	3047906



■ Load Perm. Weight may change +/- according to the sheet tolerance and hardness.
Please contact to your customer representative for detailed information.

- Please indicate order code in your orders.
- Material weights may vary by $\pm 10\%$

►► **UKF-C CABLE SUPPORT SYSTEMS and ACCESSORIES**



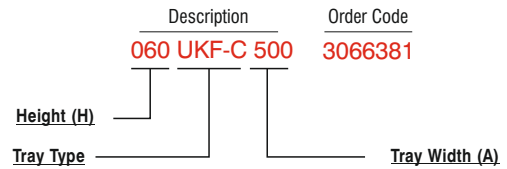
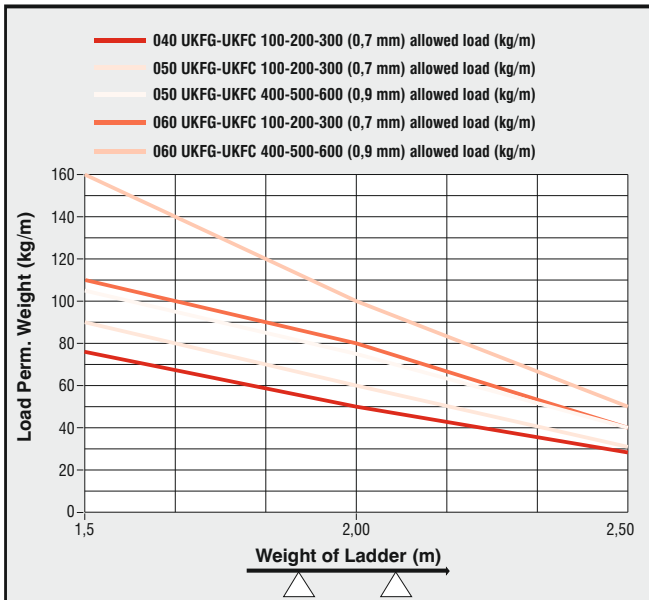
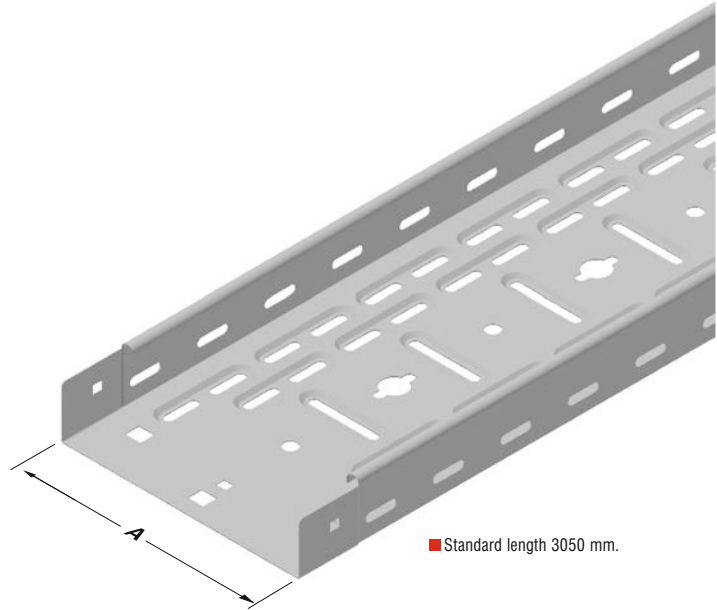
- UKF-C trays provide for fast and easy mounting.
- Complete the operation by interlocking two tray into each other.
- UKF-C ducts may be mounted by means of M6 bolts set without the need for additional elements.

- Material weights may vary by $\pm 10\%$
- **Please indicate order code in your orders.**
- Standard length is 3050 mm.

▶▶ UKF-C CABLE TRAY

Pre-galvanized (TS EN 10346 - TS EN 10143)

Description	H (mm)	A (mm)	T (mm)	Weight (kg./m.)	Order Code	Bolt (pc.)
040 UKF-C 100	40	100	0,7	1,023	3110535	3
040 UKF-C 200	40	200	0,7	1,511	3110536	3
040 UKF-C 300	40	300	0,7	2,063	3110537	4
050 UKF-C 100	50	100	0,7	1,150	3066371	3
050 UKF-C 200	50	200	0,7	1,623	3066372	3
050 UKF-C 300	50	300	0,7	2,152	3066373	4
050 UKF-C 400	50	400	0,9	3,449	3066374	5
050 UKF-C 500	50	500	0,9	4,126	3066375	5
050 UKF-C 600	50	600	0,9	4,813	3066376	5
060 UKF-C 100	60	100	0,7	1,305	3066377	3
060 UKF-C 200	60	200	0,7	1,735	3066378	3
060 UKF-C 300	60	300	0,7	2,263	3066379	4
060 UKF-C 400	60	400	0,9	3,593	3066380	5
060 UKF-C 500	60	500	0,9	4,270	3066381	5
060 UKF-C 600	60	600	0,9	4,957	3066382	5



■ Load Perm. Weight may change +/- according to the sheet tolerance and hardness.
Please contact to your customer representative for detailed information.

- Please indicate order code in your orders.
- Material weights may vary by $\pm 10\%$

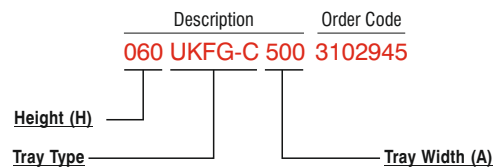
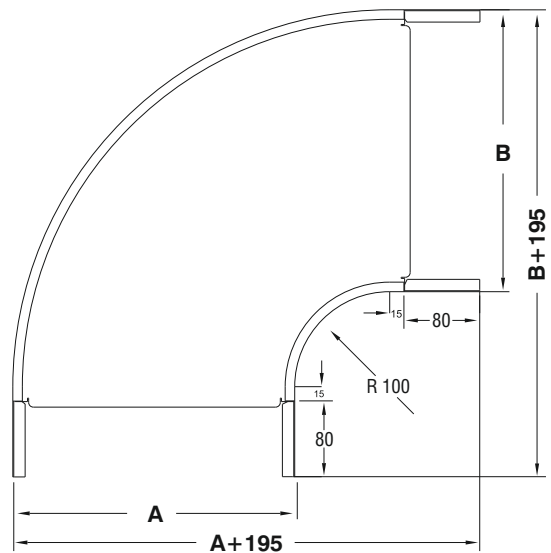
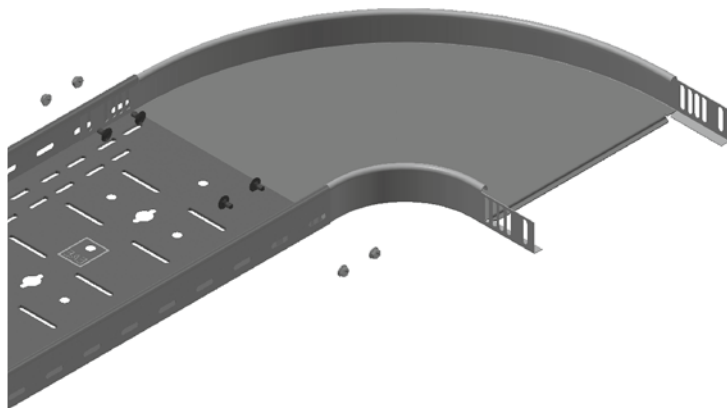
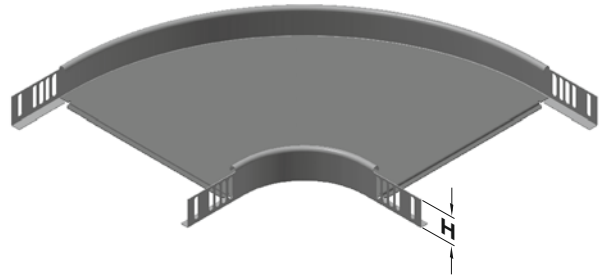


►► **UKFG-C HORIZONTAL ELBOW MODULE (90°)**

Pre-galvanized (TS EN 10346 - TS EN 10143)

YD 90°

Description	H (mm)	A (mm)	T (mm)	Weight (kg/pc)	Order Code
040 UKFG-C 100 YD 90°	40	100	1,2	0,584	3102932
040 UKFG-C 200 YD 90°	40	200	1,2	1,065	3102933
040 UKFG-C 300 YD 90°	40	300	1,2	1,694	3102934
050 UKFG-C 100 YD 90°	50	100	1,2	0,640	3102935
050 UKFG-C 200 YD 90°	50	200	1,2	1,133	3102936
050 UKFG-C 300 YD 90°	50	300	1,2	1,775	3102937
050 UKFG-C 400 YD 90°	50	400	1,2	2,564	3102938
050 UKFG-C 500 YD 90°	50	500	1,2	3,501	3102939
050 UKFG-C 600 YD 90°	50	600	1,2	4,586	3102940
060 UKFG-C 100 YD 90°	60	100	1,2	0,695	3102941
060 UKFG-C 200 YD 90°	60	200	1,2	1,200	3102942
060 UKFG-C 300 YD 90°	60	300	1,2	1,854	3102943
060 UKFG-C 400 YD 90°	60	400	1,2	2,656	3102944
060 UKFG-C 500 YD 90°	60	500	1,2	3,605	3102945
060 UKFG-C 600 YD 90°	60	600	1,2	4,703	3102946



■ Please indicate order code in your orders.

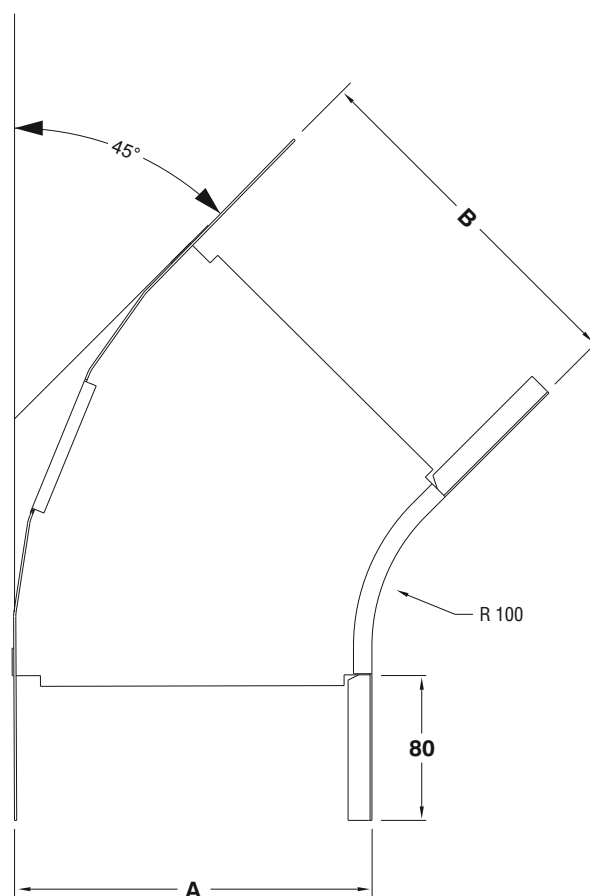
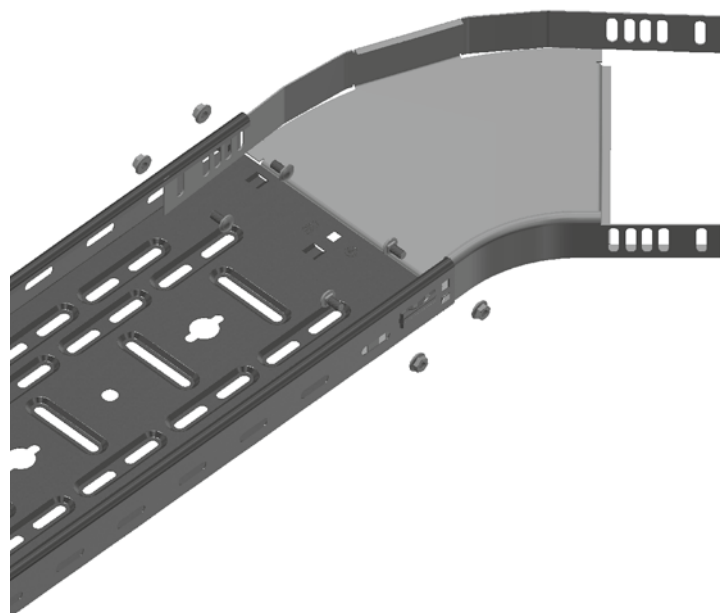
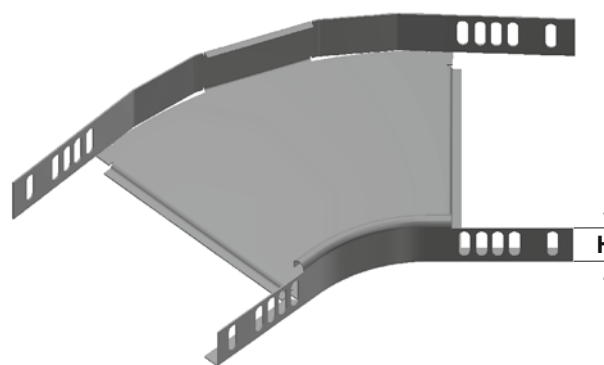
■ Material weights may vary by ± 10%

▶▶ UKFG-C HORIZONTAL ELBOW MODULE (45°)

Pre-galvanized (TS EN 10346 - TS EN 10143)

YD 45°

Description	H (mm)	A (mm)	T (mm)	Weight (kg/pc)	Order Code
040 UKFG-C 100 YD 45°	40	100	1,2	0,366	3102947
040 UKFG-C 200 YD 45°	40	200	1,2	0,627	3102948
040 UKFG-C 300 YD 45°	40	300	1,2	0,961	3102949
050 UKFG-C 100 YD 45°	50	100	1,2	0,404	3102950
050 UKFG-C 200 YD 45°	50	200	1,2	0,671	3102951
050 UKFG-C 300 YD 45°	50	300	1,2	1,011	3102952
050 UKFG-C 400 YD 45°	50	400	1,2	1,427	3102953
050 UKFG-C 500 YD 45°	50	500	1,2	1,915	3102954
050 UKFG-C 600 YD 45°	50	600	1,2	2,478	3102955
060 UKFG-C 100 YD 45°	60	100	1,2	0,440	3102956
060 UKFG-C 200 YD 45°	60	200	1,2	0,714	3102957
060 UKFG-C 300 YD 45°	60	300	1,2	1,060	3102958
060 UKFG-C 400 YD 45°	60	400	1,2	1,482	3102959
060 UKFG-C 500 YD 45°	60	500	1,2	1,976	3102960
060 UKFG-C 600 YD 45°	60	600	1,2	2,545	3102961



Description	Order Code
060 UKFG-C 500	3102960

Height (H) ————
 Tray Type ————
 Tray Width (A) ————

■ Please indicate order code in your orders.

■ Material weights may vary by ± 10%

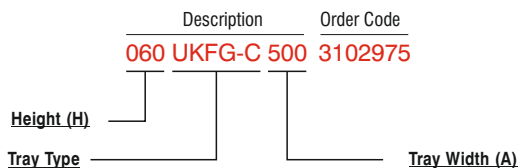
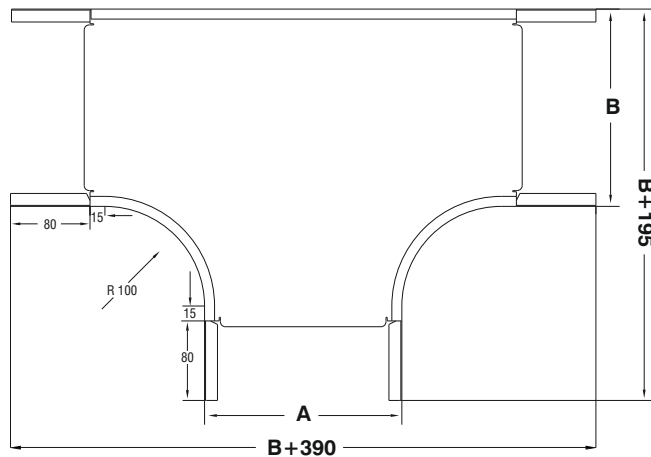
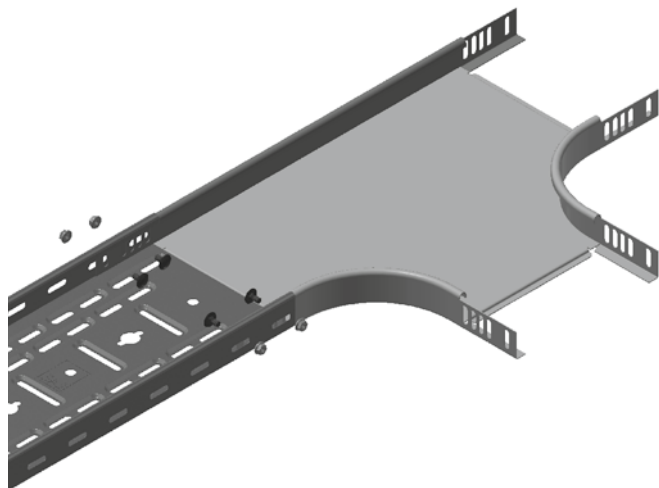
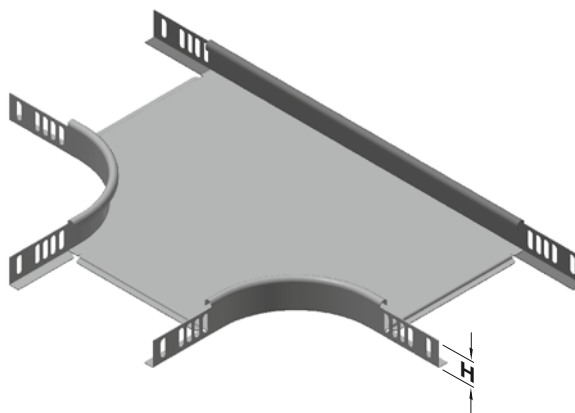


►► UKFG-C “T” MODULE

Pre-galvanized (TS EN 10346 - TS EN 10143)

YT

Description	H (mm)	A (mm)	T (mm)	Weight (kg/pc)	Order Code
040 UKFG-C 100 YT	40	100	1,2	0,927	3102962
040 UKFG-C 200 YT	40	200	1,2	1,604	3102963
040 UKFG-C 300 YT	40	300	1,2	2,466	3102964
050 UKFG-C 100 YT	50	100	1,2	1,004	3102965
050 UKFG-C 200 YT	50	200	1,2	1,689	3102966
050 UKFG-C 300 YT	50	300	1,2	2,558	3102967
050 UKFG-C 400 YT	50	400	1,2	3,615	3102968
050 UKFG-C 500 YT	50	500	1,2	4,859	3102969
050 UKFG-C 600 YT	50	600	1,2	6,293	3102970
060 UKFG-C 100 YT	60	100	1,2	1,082	3102971
060 UKFG-C 200 YT	60	200	1,2	1,775	3102972
060 UKFG-C 300 YT	60	300	1,2	2,653	3102973
060 UKFG-C 400 YT	60	400	1,2	3,717	3102974
060 UKFG-C 500 YT	60	500	1,2	4,969	3102975
060 UKFG-C 600 YT	60	600	1,2	6,411	3102976



■ Please indicate order code in your orders.

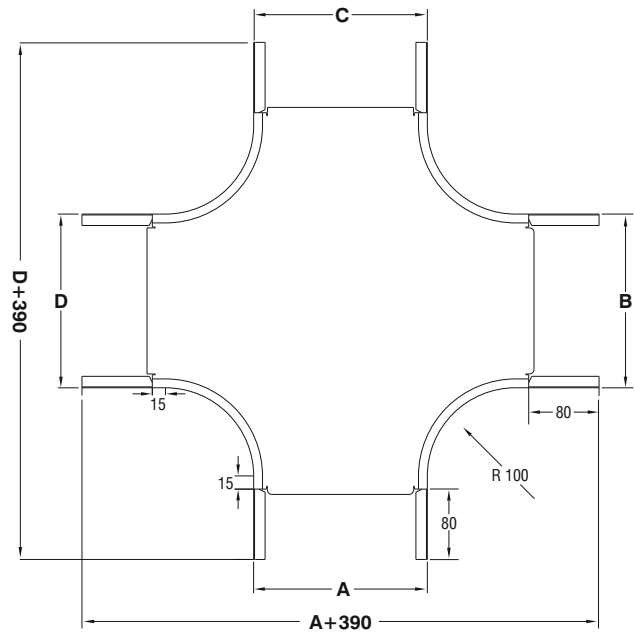
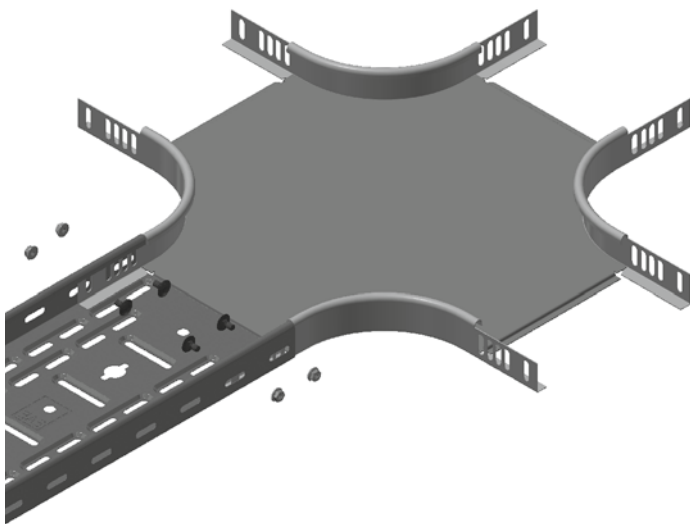
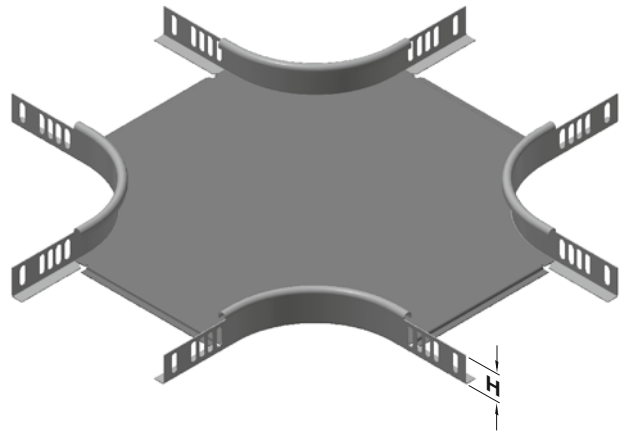
■ Material weights may vary by ± 10%

►► UKFG-C “+” CONNECTION MODULE

Pre-galvanized (TS EN 10346 - TS EN 10143)

AD

Description	H (mm)	A (mm)	T (mm)	Weight (kg/pc)	Order Code
040 UKFG-C 100 AD	40	100	1,2	1,047	3102977
040 UKFG-C 200 AD	40	200	1,2	1,662	3102978
040 UKFG-C 300 AD	40	300	1,2	2,435	3102979
050 UKFG-C 100 AD	50	100	1,2	1,135	3102980
050 UKFG-C 200 AD	50	200	1,2	1,750	3102981
050 UKFG-C 300 AD	50	300	1,2	2,523	3102982
050 UKFG-C 400 AD	50	400	1,2	3,454	3102983
050 UKFG-C 500 AD	50	500	1,2	4,540	3102984
050 UKFG-C 600 AD	50	600	1,2	5,784	3102985
060 UKFG-C 100 AD	60	100	1,2	1,219	3102986
060 UKFG-C 200 AD	60	200	1,2	1,834	3102987
060 UKFG-C 300 AD	60	300	1,2	2,607	3102988
060 UKFG-C 400 AD	60	400	1,2	3,538	3102989
060 UKFG-C 500 AD	60	500	1,2	4,624	3102990
060 UKFG-C 600 AD	60	600	1,2	5,868	3102991



Description	Order Code
060 UKFG-C 500	3102990

Height (H)

Tray Type

Tray Width (A)

■ Please indicate order code in your orders.

■ Material weights may vary by ± 10%

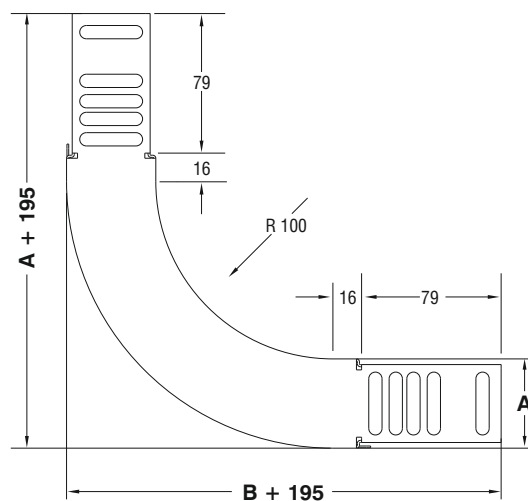
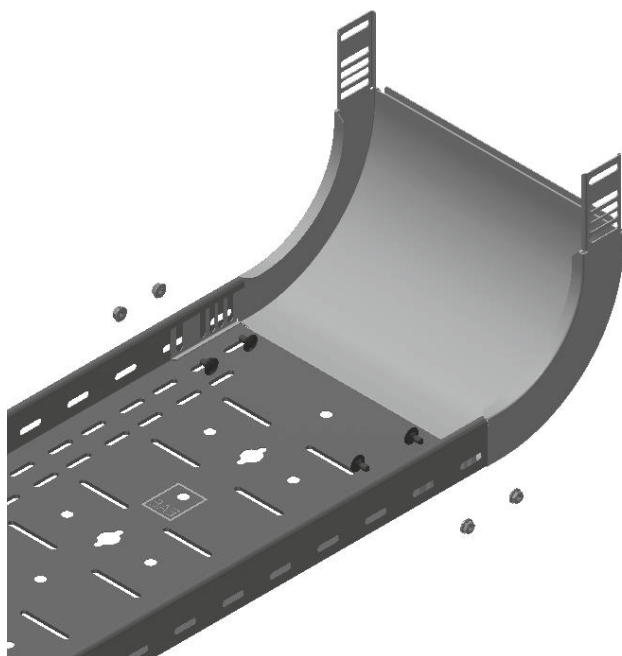
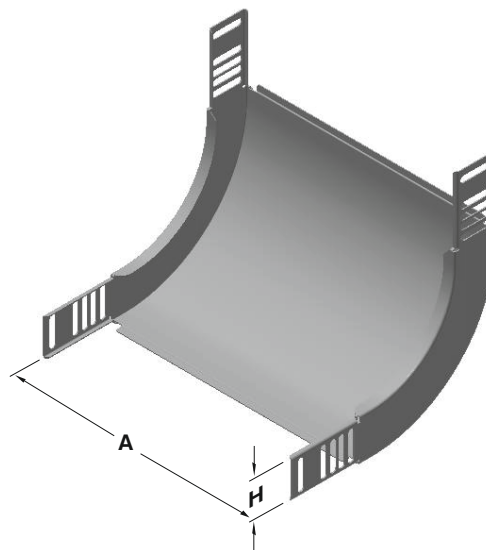


►► UKFG-C **CONCAVE** MODULE (90°)

Pre-galvanized (TS EN 10346 - TS EN 10143)

ID

Description	H (mm)	A (mm)	T (mm)	Weight (kg/pc)	Order Code
040 UKFG-C 100 ID	40	100	1,2	0,464	3102992
040 UKFG-C 200 ID	40	200	1,2	0,669	3102993
040 UKFG-C 300 ID	40	300	1,2	0,874	3102994
050 UKFG-C 100 ID	50	100	1,2	0,533	3102995
050 UKFG-C 200 ID	50	200	1,2	0,751	3102996
050 UKFG-C 300 ID	50	300	1,2	0,968	3102997
050 UKFG-C 400 ID	50	400	1,2	1,186	3102998
050 UKFG-C 500 ID	50	500	1,2	1,403	3102999
050 UKFG-C 600 ID	50	600	1,2	1,620	3103000
060 UKFG-C 100 ID	60	100	1,2	0,605	3103001
060 UKFG-C 200 ID	60	200	1,2	0,835	3103002
060 UKFG-C 300 ID	60	300	1,2	1,064	3103003
060 UKFG-C 400 ID	60	400	1,2	1,294	3103004
060 UKFG-C 500 ID	60	500	1,2	1,524	3103005
060 UKFG-C 600 ID	60	600	1,2	1,754	3103006



Description	Order Code
060 UKFG-C 500	3103005



■ Please indicate order code in your orders.

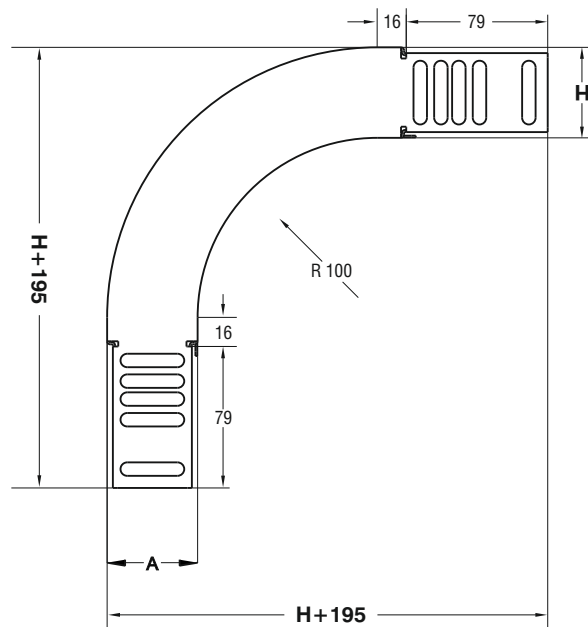
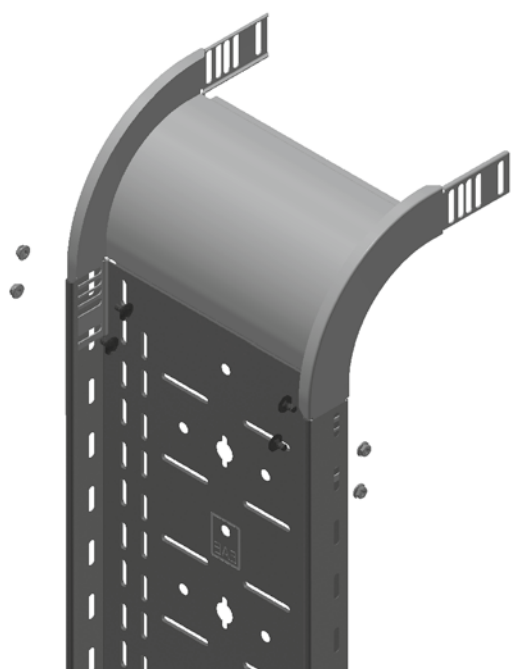
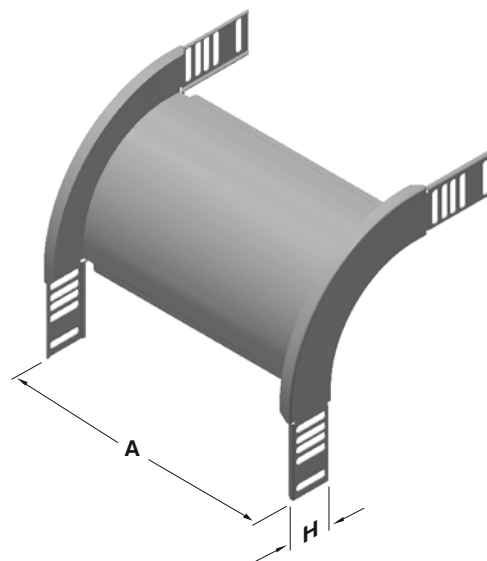
■ Material weights may vary by ± 10%

►► UKFG-C CONVEX MODULE (90°)

Pre-galvanized (TS EN 10346 - TS EN 10143)

DD

Description	H (mm)	A (mm)	T (mm)	Weight (kg/pc)	Order Code
040 UKFG-C 100 DD	40	100	1,2	0,423	3103007
040 UKFG-C 200 DD	40	200	1,2	0,586	3103008
040 UKFG-C 300 DD	40	300	1,2	0,749	3103009
050 UKFG-C 100 DD	50	100	1,2	0,481	3103010
050 UKFG-C 200 DD	50	200	1,2	0,644	3103011
050 UKFG-C 300 DD	50	300	1,2	0,807	3103012
050 UKFG-C 400 DD	50	400	1,2	0,970	3103013
050 UKFG-C 500 DD	50	500	1,2	1,133	3103014
050 UKFG-C 600 DD	50	600	1,2	1,296	3103015
060 UKFG-C 100 DD	60	100	1,2	0,541	3103016
060 UKFG-C 200 DD	60	200	1,2	0,704	3103017
060 UKFG-C 300 DD	60	300	1,2	0,867	3103018
060 UKFG-C 400 DD	60	400	1,2	1,030	3103019
060 UKFG-C 500 DD	60	500	1,2	1,193	3103020
060 UKFG-C 600 DD	60	600	1,2	1,356	3103021



Description	Order Code
060 UKFG-C 500	3103020

Height (H) ————
 Tray Type ————
 Tray Width (A) ————

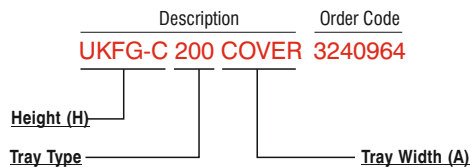
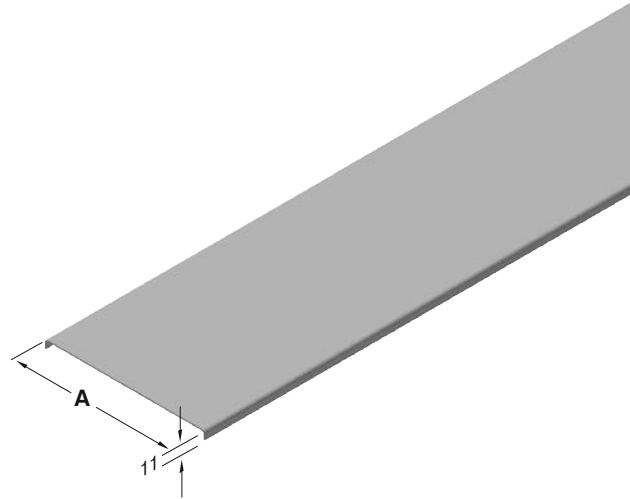
- Please indicate order code in your orders.
- Material weights may vary by ± 10%



►► **UKFG-C TRAY COVER**

Pre-galvanized (TS EN 10346 - TS EN 10143)

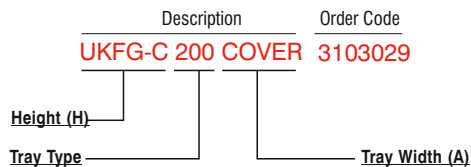
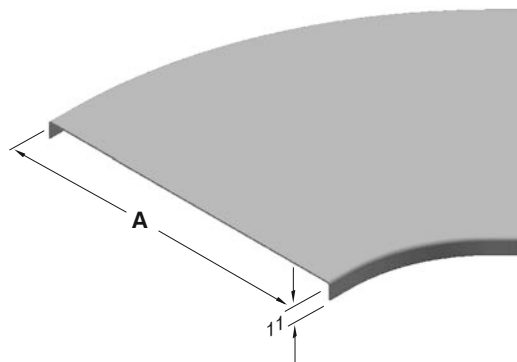
Description	A (mm)	T (mm)	Weight (kg/m)	Order Code
UKFG-C 100 COVER	105	0,7	0,672	3103022
UKFG-C 200 COVER	205	0,7	1,220	3240964
UKFG-C 300 COVER	305	0,7	1,772	3103024
UKFG-C 400 COVER	405	0,9	2,989	3103025
UKFG-C 500 COVER	505	0,9	3,699	3103026
UKFG-C 600 COVER	605	0,9	4,409	3103027



►► **UKFG-C HORIZONTAL ELBOW MODULE COVER (45°)**

Pre-galvanized (TS EN 10346 - TS EN 10143)

Description	A (mm)	T (mm)	Weight (kg/pc)	Order Code
UKFG-C 100 YD COVER 45°	100	1,2	0,165	3103028
UKFG-C 200 YD COVER 45°	200	1,2	0,385	3103029
UKFG-C 300 YD COVER 45°	300	1,2	0,679	3103030
UKFG-C 400 YD COVER 45°	400	1,2	1,046	3103031
UKFG-C 500 YD COVER 45°	500	1,2	1,488	3103032
UKFG-C 600 YD COVER 45°	600	1,2	2,004	3103033



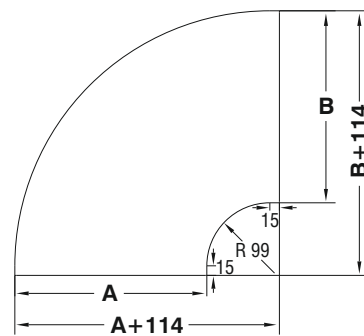
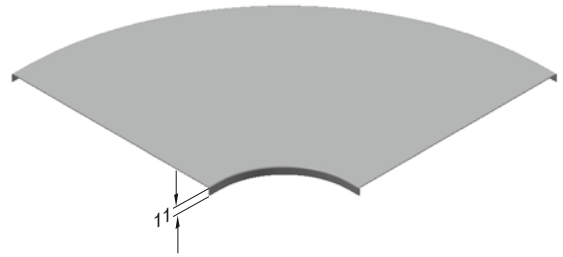
■ Please indicate order code in your orders.

■ Material weights may vary by ± 10%

►► **UKFG-C HORIZONTAL ELBOW MODULE COVER (90°)**

Pre-galvanized (TS EN 10346 - TS EN 10143)

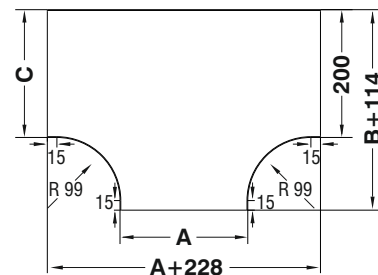
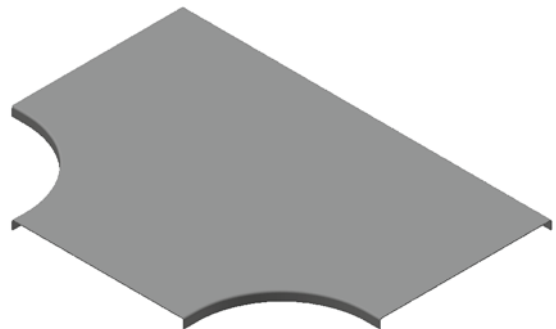
Description	A (mm)	T (mm)	Weight (kg/pc)	Order Code
UKFG-C 100 YD COVER (90°)	100	1,2	0,297	3103034
UKFG-C 200 YD COVER (90°)	200	1,2	0,703	3103035
UKFG-C 300 YD COVER (90°)	300	1,2	1,267	3103036
UKFG-C 400 YD COVER (90°)	400	1,2	1,974	3103037
UKFG-C 500 YD COVER (90°)	500	1,2	3,058	3103038
UKFG-C 600 YD COVER (90°)	600	1,2	4,336	3103039



►► **UKFG-C "T" MODULE COVER**

Pre-galvanized (TS EN 10346 - TS EN 10143)

Description	A (mm)	T (mm)	Weight (kg/pc)	Order Code
UKFG-C 100 YT COVER	100	1,2	0,523	3103040
UKFG-C 200 YT COVER	200	1,2	1,138	3103041
UKFG-C 300 YT COVER	300	1,2	1,942	3103042
UKFG-C 400 YT COVER	400	1,2	2,934	3103043
UKFG-C 500 YT COVER	500	1,2	4,115	3103044
UKFG-C 600 YT COVER	600	1,2	5,484	3103045



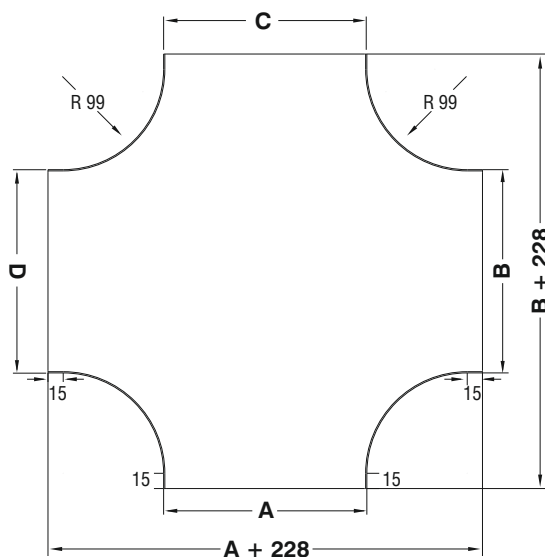
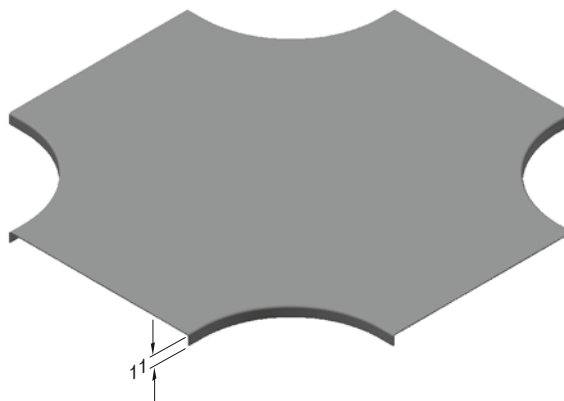
■ Please indicate order code in your orders.

■ Material weights may vary by ± 10%

►► **UKFG-C “+” CONNECTION MODULE COVER (90°)**

Pre-galvanized (TS EN 10346 - TS EN 10143)

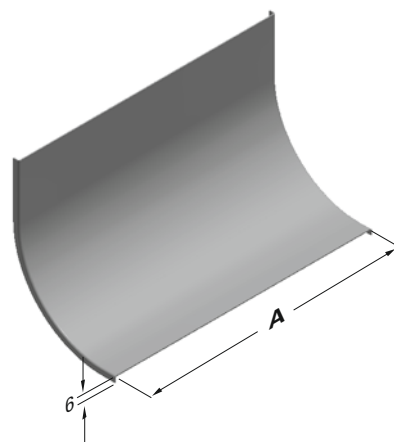
Description	A (mm)	T (mm)	Weight (kg/pc)	Order Code
UKFG-C 100 AD COVER	100	1,2	0,672	3103046
UKFG-C 200 AD COVER	200	1,2	1,385	3103047
UKFG-C 300 AD COVER	300	1,2	2,285	3103048
UKFG-C 400 AD COVER	400	1,2	3,375	3103049
UKFG-C 500 AD COVER	500	1,2	4,652	3103050
UKFG-C 600 AD COVER	600	1,2	6,118	3103051



►► **UKFG-C CONCAVE MODULE COVER**

Pre-galvanized (TS EN 10346 - TS EN 10143)

Description	A (mm)	T (mm)	Weight (kg/pc)	Order Code
UKFG-C 100 ID COVER	100	1,2	0,196	3103052
UKFG-C 200 ID COVER	200	1,2	0,373	3103053
UKFG-C 300 ID COVER	300	1,2	0,546	3103054
UKFG-C 400 ID COVER	400	1,2	0,721	3103055
UKFG-C 500 ID COVER	500	1,2	0,896	3103056
UKFG-C 600 ID COVER	600	1,2	1,070	3103057



■ Please indicate order code in your orders.

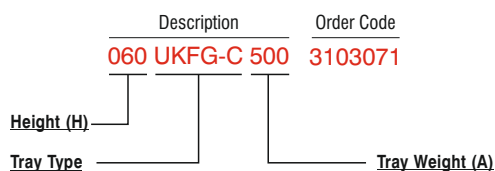
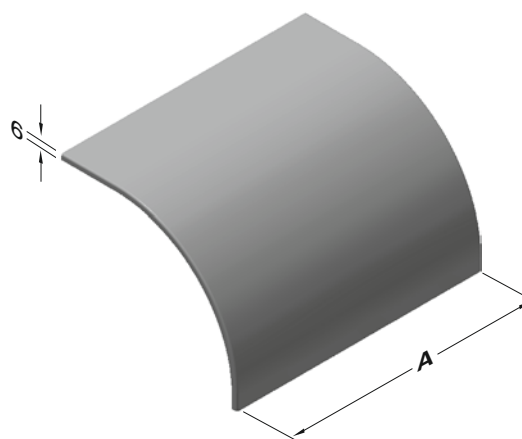
■ Material weights may vary by ± 10%

►► **UKFG-C CONVEX MODULE COVER**

Pre-galvanized (TS EN 10346 - TS EN 10143)

DD

Description	A (mm)	T (mm)	Weight (kg/pc)	Order Code
040 UKFG-C 100 DD COVER	100	1,2	0,259	3103058
040 UKFG-C 200 DD COVER	200	1,2	0,495	3103059
040 UKFG-C 300 DD COVER	300	1,2	0,732	3103060
050 UKFG-C 100 DD COVER	100	1,2	0,275	3103061
050 UKFG-C 200 DD COVER	200	1,2	0,527	3103062
050 UKFG-C 300 DD COVER	300	1,2	0,778	3103063
050 UKFG-C 400 DD COVER	400	1,2	1,029	3103064
050 UKFG-C 500 DD COVER	500	1,2	1,280	3103065
050 UKFG-C 600 DD COVER	600	1,2	1,531	3103066
060 UKFG-C 100 DD COVER	100	1,2	0,292	3103067
060 UKFG-C 200 DD COVER	200	1,2	0,558	3103068
060 UKFG-C 300 DD COVER	300	1,2	0,823	3103069
060 UKFG-C 400 DD COVER	400	1,2	1,089	3103070
060 UKFG-C 500 DD COVER	500	1,2	1,355	3103071
060 UKFG-C 600 DD COVER	600	1,2	1,621	3103072



■ Please indicate order code in your orders.

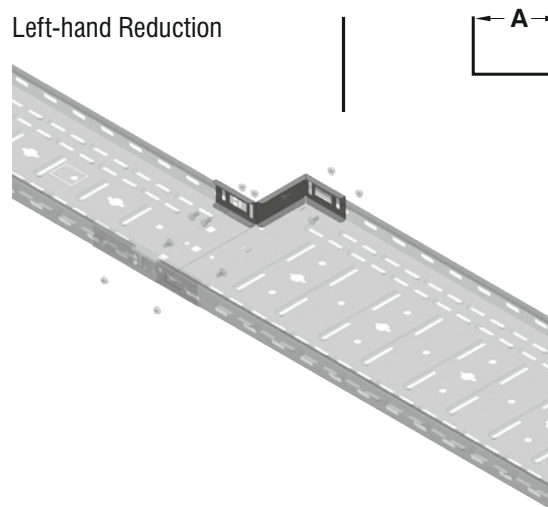
■ Material weights may vary by ± 10%

►► UKFG-C REDUCTION

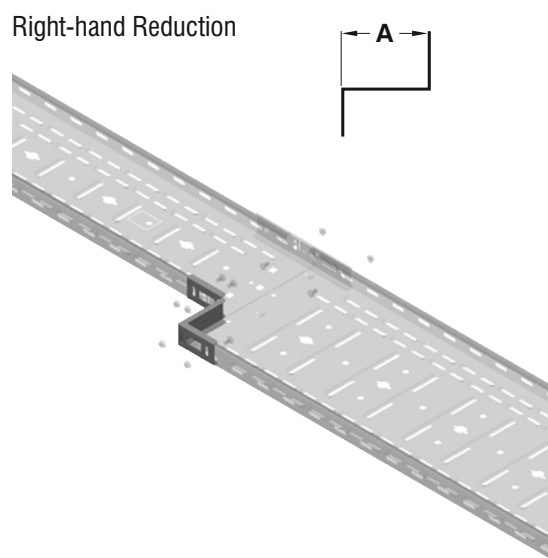
Pre-galvanized (TS EN 10346 - TS EN 10143)

Description	H (mm)	A (mm)	T (mm)	Weight (kg/pc)	Order Code
040 UKFG-C 050 RD	40	50	1,2	0,179	3103088
040 UKFG-C 100 RD	40	100	1,2	0,207	3103089
040 UKFG-C 150 RD	40	150	1,2	0,236	3103090
040 UKFG-C 200 RD	40	200	1,2	0,264	3103091
040 UKFG-C 250 RD	40	250	1,2	0,293	3103092
040 UKFG-C 300 RD	40	300	1,2	0,321	3103093
050 UKFG-C 050 RD	50	50	1,2	0,199	3103094
050 UKFG-C 100 RD	50	100	1,2	0,232	3103095
050 UKFG-C 150 RD	50	150	1,2	0,266	3103096
050 UKFG-C 200 RD	50	200	1,2	0,299	3103097
050 UKFG-C 250 RD	50	250	1,2	0,332	3103098
050 UKFG-C 300 RD	50	300	1,2	0,365	3103099
060 UKFG-C 050 RD	60	50	1,2	0,237	3103100
060 UKFG-C 100 RD	60	100	1,2	0,275	3103101
060 UKFG-C 150 RD	60	150	1,2	0,313	3103102
060 UKFG-C 200 RD	60	200	1,2	0,351	3103103
060 UKFG-C 250 RD	60	250	1,2	0,389	3103104
060 UKFG-C 300 RD	60	300	1,2	0,427	3103105

Left-hand Reduction



Right-hand Reduction



■ Please indicate order code in your orders.

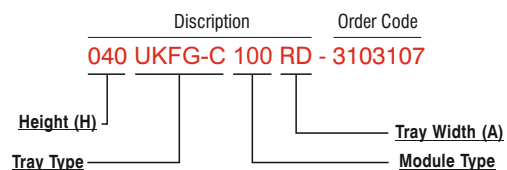
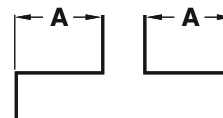
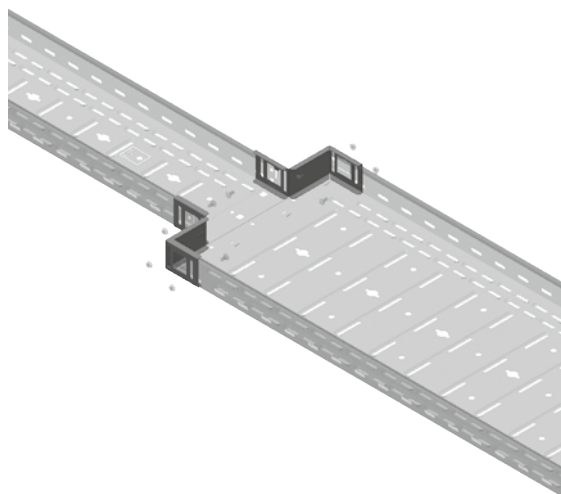
■ Please contact us for special modules.

■ Material weights may vary by $\pm 10\%$

►► **UKFG-C MIDDLE REDUCTION**
Pre-galvanized (TS EN 10346 - TS EN 10143)

Description	H (mm)	A (mm)	T (mm)	Weight (kg/set)	Order Code
040 UKFG-C 050 RD	40	50	1,2	0,200	3103106
040 UKFG-C 100 RD	40	100	1,2	0,256	3103107
040 UKFG-C 150 RD	40	150	1,2	0,314	3103108
040 UKFG-C 200 RD	40	200	1,2	0,370	3103109
040 UKFG-C 250 RD	40	250	1,2	0,428	3103110
040 UKFG-C 300 RD	40	300	1,2	0,484	3103111
050 UKFG-C 050 RD	50	50	1,2	0,220	3103112
050 UKFG-C 100 RD	50	100	1,2	0,286	3103113
050 UKFG-C 150 RD	50	150	1,2	0,354	3103114
050 UKFG-C 200 RD	50	200	1,2	0,420	3103115
050 UKFG-C 250 RD	50	250	1,2	0,486	3103116
050 UKFG-C 300 RD	50	300	1,2	0,552	3103117
060 UKFG-C 050 RD	60	50	1,2	0,240	3103118
060 UKFG-C 100 RD	60	100	1,2	0,316	3103119
060 UKFG-C 150 RD	60	150	1,2	0,392	3103120
060 UKFG-C 200 RD	60	200	1,2	0,468	3103121
060 UKFG-C 250 RD	60	250	1,2	0,544	3103122
060 UKFG-C 300 RD	60	300	1,2	0,620	3103123

Middle Reduction



■ Please indicate order code in your orders.

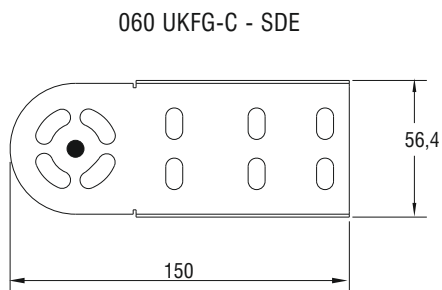
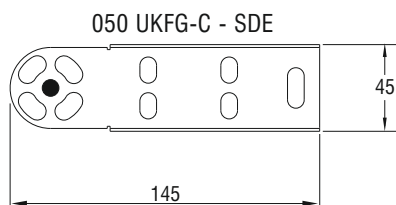
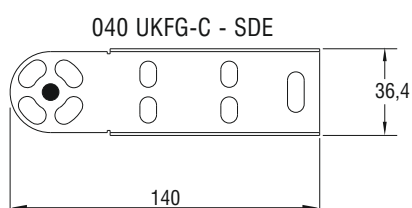
■ Please contact us for special modules.

■ Material weights may vary by ± 10%

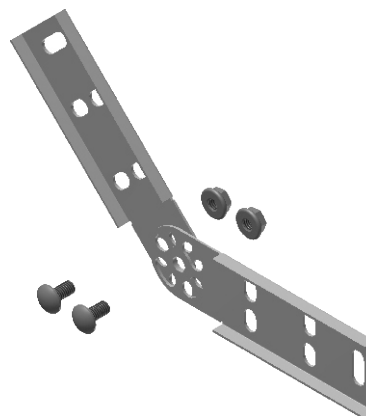
►► **UKFG-C LEVEL ADAPTATION JOINT SET**

Pre-galvanized (TS EN 10346 - TS EN 10143)

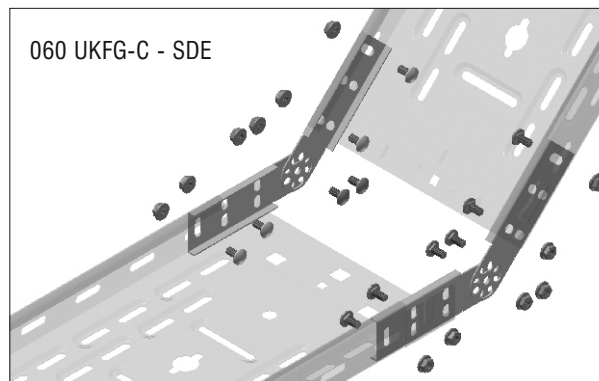
Description	H (mm)	T (mm)	Weight (kg/set)	Order Code
040 UKFG-C SDE	40	1,2	0,224	3103124
050 UKFG-C SDE	50	1,2	0,284	3103125
060 UKFG-C SDE	60	1,2	0,360	3103126



Level Adaptable Joint Set



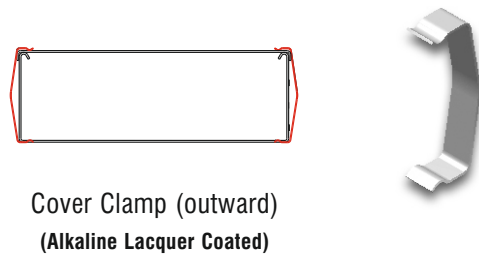
Level adaptation joint set contains right and left vertical adjustable joint units and 4 M6x12 bolt set.



- Please indicate order code in your orders.
- Please contact us for special size.
- Material weights may vary by ± 10%

►► UKFG-C CABLE TRAY COVER CLAMPS

Description	Weight (kg/pc)	Order Code
040 COVER CLAMP (Outward)	0,010	1004254
050 COVER CLAMP (Outward)	0,013	1004184
060 COVER CLAMP (Outward)	0,015	1004253



►► UKFG-C CABLE TRAY JOINT BOLT & NUT SET

Description	Weight (kg/pc)	Order Code
JOINT BOLT SET M6	0,009	1004314

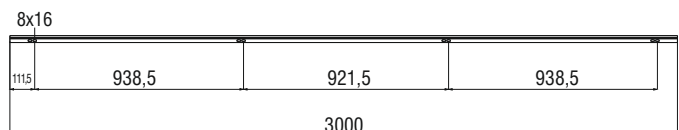
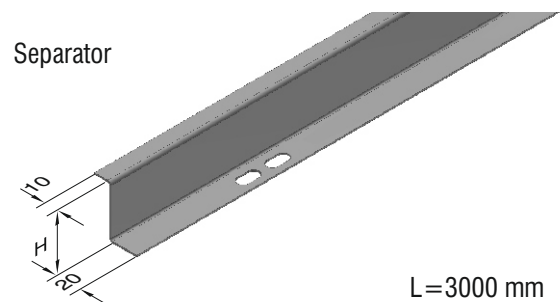


- Contains 1 unit M6x12 dished head bolt + 1 unit M6 flanged nut. Coated with standard lac.

►► UKS (UKFG) SEPARATOR

Pre-galvanized (TS EN 10346 - TS EN 10143)

Description	H (mm)	T (mm)	Weight (kg/m)	Order Code
040 UKS (UKFG-C-E) SEPARATOR	38	0,8	0,380	3103127
050 UKS (UKFG-C-E) SEPARATOR	48	0,8	0,440	3103128
060 UKS (UKFG-C-E) SEPARATOR	58	0,8	0,500	3103129



- Please indicate order code in your orders.
- Please contact us for special size.
- Material weights may vary by ± 10%