

E-LINE KMH-KMA

CABLE LADDER SYSTEMS



Hot Dip Galvanized After Fabrication
KMH-KMA
Cable Ladder and Modules



KMH-KMA

E-Line KMH-KMA Cable Ladders and Modules

KMA-KMH
Level Adaptation Module

KMA-KMH
Cable Ladder

KMA-KMH
Convex Module

KMA-KMH
"+" Connection Module

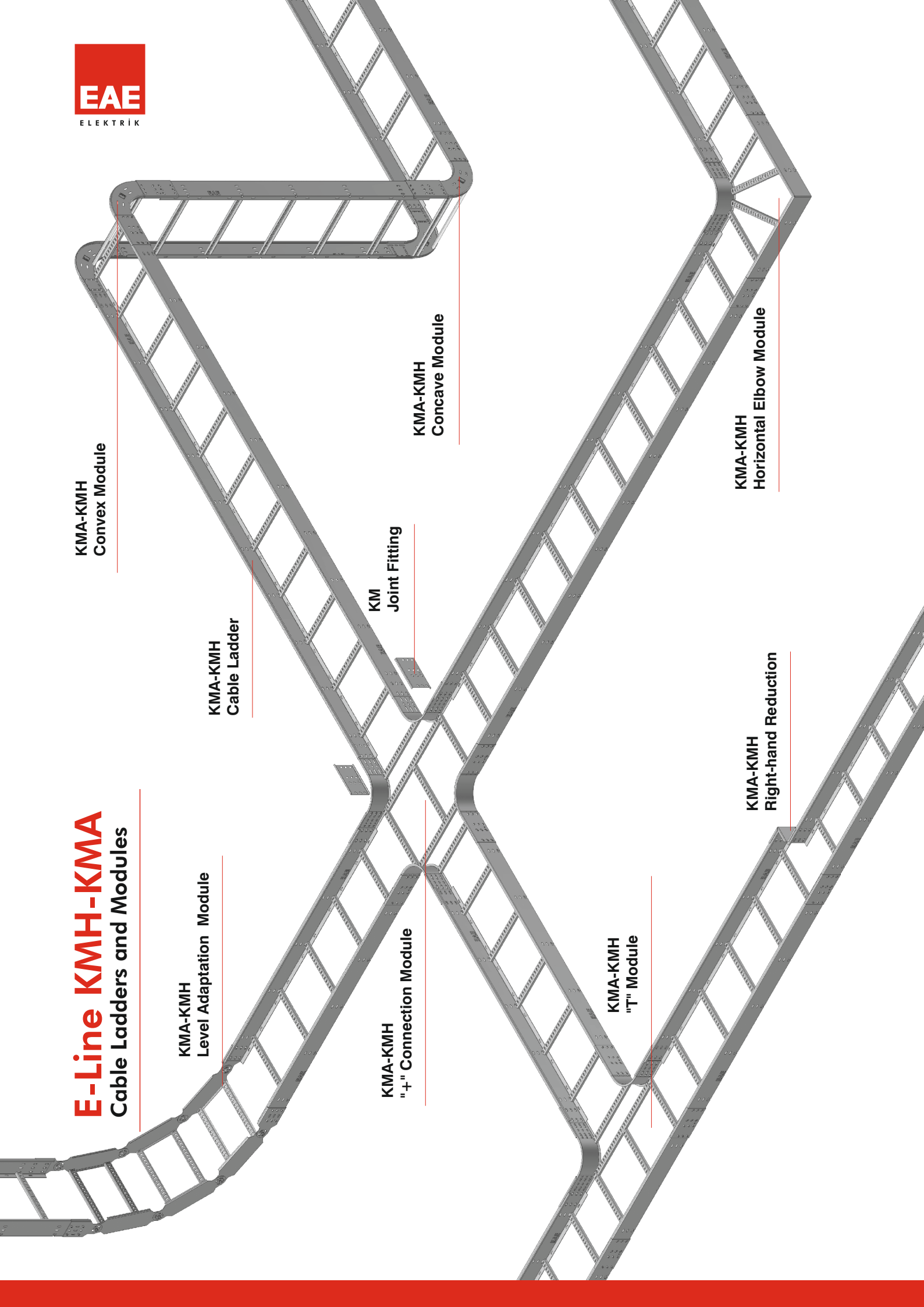
KM
Joint Fitting

KMA-KMH
Concave Module

KMA-KMH
"T" Module

KMA-KMH
Right-hand Reduction

KMA-KMH
Horizontal Elbow Module



CONTENTS

2-3	KMH Cable Ladders
4-9	KMH Cable Ladder Modules
10	KMH Reduction Module
11-14	KMH Cable Ladder Covers and KMH Module Covers
15-16	KMA Cable Ladder and Cover
17-52	KMA Cable Ladder Module and Cover
53	KMA-KMH Level Changing Module
54	KM Joint Fitting
55	KM Exit Accessory, KMA Notched Attachment
56	KM Expansion Set
57	KC Additional Screw set, Level Changing Module
58	KM End Cover
59	KMH-KMA Fixing Modules
60-61	KMH-KMA Reduction
62	KMH-KMA Omega Clamp

►► KMH CABLE LADDERS

Hot Dip Galvanized After Fabrication (TS EN ISO 1461)

Description	H (mm)	A (mm)	T (mm)	Weight (kg./m.)	Order Code
040 KMH 100	40	100	1,2	1,628	3106701
040 KMH 200	40	200	1,2	1,840	3106702
040 KMH 300	40	300	1,2	2,053	3106703

►► KMH CABLE LADDERS

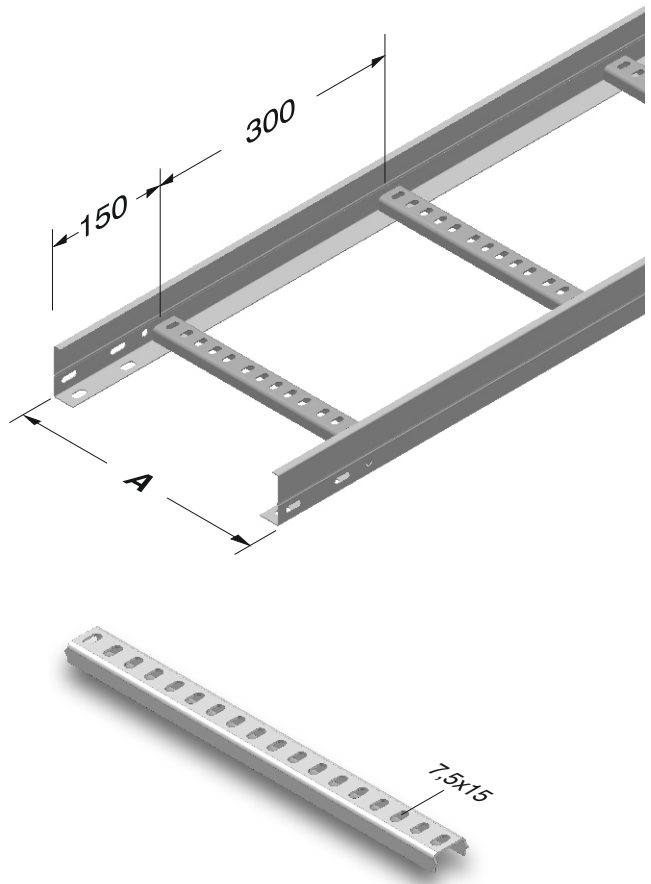
Hot Dip Galvanized After Fabrication (TS EN ISO 1461)

Description	H (mm)	A (mm)	T (mm)	Weight (kg./m.)	Order Code
050 KMH 100	50	100	1,2	1,831	3106704
050 KMH 200	50	200	1,2	2,043	3106705
050 KMH 300	50	300	1,2	2,256	3106706

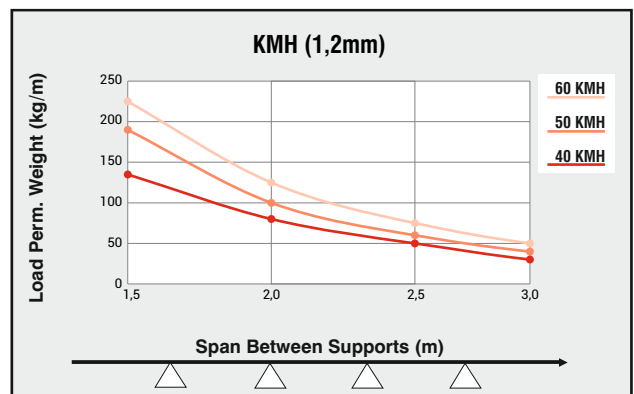
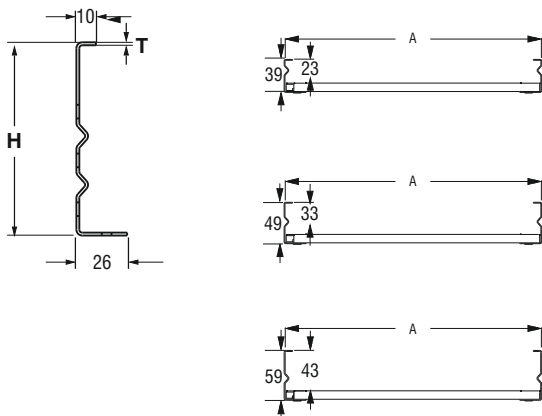
►► KMH CABLE LADDERS

Hot Dip Galvanized After Fabrication (TS EN ISO 1461)

Description	H (mm)	A (mm)	T (mm)	Weight (kg./m.)	Order Code
060 KMH 100	60	100	1,2	2,035	3106707
060 KMH 200	60	200	1,2	2,247	3106708
060 KMH 300	60	300	1,2	2,460	3106709



H=040, H=050, H=060 single row perforated.



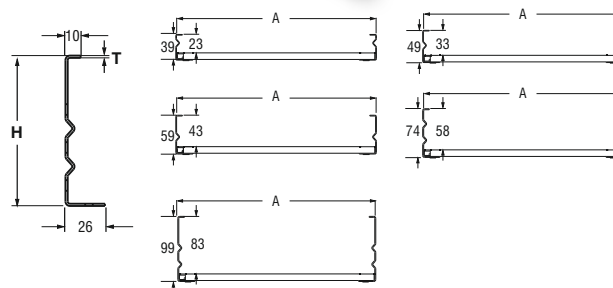
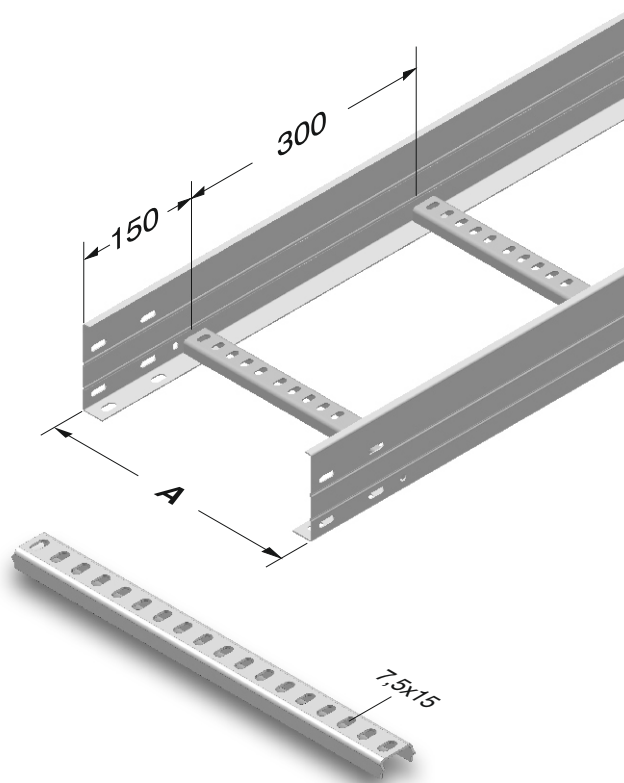
■ Load Perm. Weight may change +/- according to the sheet tolerance and hardness. Please contact to your customer representative for detailed information.

- Standard length is 3000 mm.
- Please indicate order code in your orders.
- Please contact us for special size.
- Material weights may vary by ± 10%

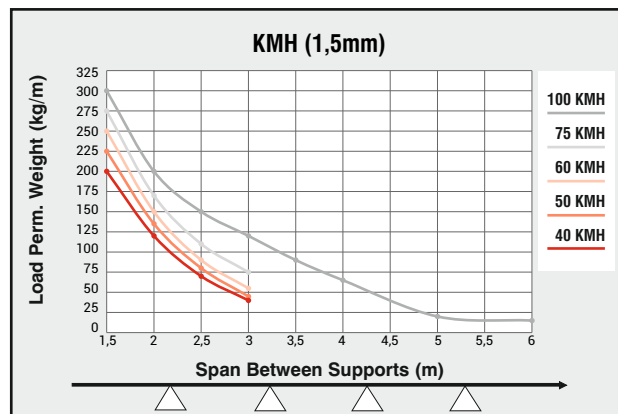
►► KMH CABLE LADDERS

Hot Dip Galvanized After Fabrication (TS EN ISO 1461)

Description	H (mm)	A (mm)	T (mm)	Weight (kg./m.)	Order Code
040 KMH 100	40	100	1,5	1,935	3106605
040 KMH 200	40	200	1,5	2,147	3106606
040 KMH 300	40	300	1,5	2,360	3106607
040 KMH 400	40	400	1,5	2,572	3106608
040 KMH 500	40	500	1,5	2,781	3106609
040 KMH 600	40	600	1,5	2,993	3106610
050 KMH 100	50	100	1,5	2,189	3106611
050 KMH 200	50	200	1,5	2,401	3106612
050 KMH 300	50	300	1,5	2,614	3106613
050 KMH 400	50	400	1,5	2,826	3106614
050 KMH 500	50	500	1,5	3,035	3106615
050 KMH 600	50	600	1,5	3,247	3106616
060 KMH 100	60	100	1,5	2,443	3106617
060 KMH 200	60	200	1,5	2,656	3106618
060 KMH 300	60	300	1,5	2,868	3106619
060 KMH 400	60	400	1,5	3,080	3106620
060 KMH 500	60	500	1,5	3,289	3106621
060 KMH 600	60	600	1,5	3,502	3106622
075 KMH 100	75	100	1,5	2,827	3106623
075 KMH 200	75	200	1,5	3,040	3106624
075 KMH 300	75	300	1,5	3,252	3106625
075 KMH 400	75	400	1,5	3,464	3106626
075 KMH 500	75	500	1,5	3,673	3106627
075 KMH 600	75	600	1,5	3,886	3106628
100 KMH 200	100	200	1,5	3,671	3106629
100 KMH 300	100	300	1,5	3,884	3106630
100 KMH 400	100	400	1,5	4,096	3106631
100 KMH 500	100	500	1,5	4,305	3106632
100 KMH 600	100	600	1,5	4,517	3106633



H=040, H=050, H=060 single row perforated.
 H=075 two row perforated.
 H=100 three rows perforated.



■ Load Perm. Weight may change +/- according to the sheet tolerance and hardness.
 Please contact to your customer representative for detailed information.

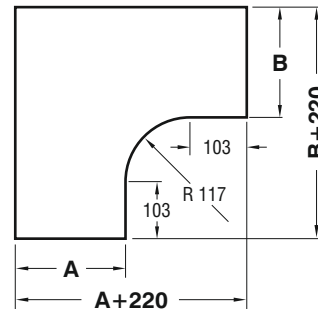
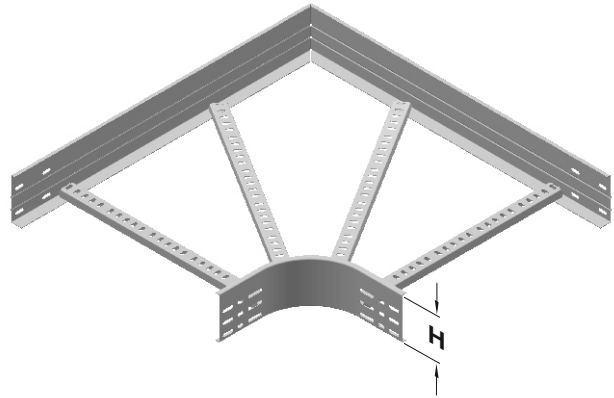
- Standard length is 3000 mm.
- Please indicate order code in your orders.
- Please contact us for special size.
- Material weights may vary by ± 10%

►► KMH HORIZONTAL ELBOW MODULE (90°) R=117

Hot Dip Galvanized After Fabrication (TS EN ISO 1461)

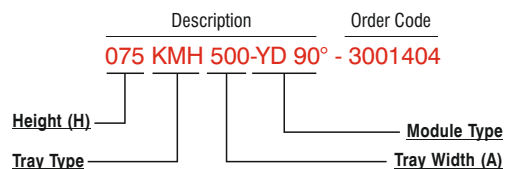
YD 90°

Description	H (mm)	AB (mm)	T (mm)	Weight (kg/pc)	Order Code
040 KMH 100 YD 90°	40	100	1,5	1,122	3001382
040 KMH 200 YD 90°	40	200	1,5	1,496	3001383
040 KMH 300 YD 90°	40	300	1,5	2,030	3001384
040 KMH 400 YD 90°	40	400	1,5	2,230	3001385
040 KMH 500 YD 90°	40	500	1,5	2,650	3001386
040 KMH 600 YD 90°	40	600	1,5	3,179	3001387
050 KMH 100 YD 90°	50	100	1,5	1,265	3001388
050 KMH 200 YD 90°	50	200	1,5	1,672	3001389
050 KMH 300 YD 90°	50	300	1,5	2,321	3001390
050 KMH 400 YD 90°	50	400	1,5	2,805	3001391
050 KMH 500 YD 90°	50	500	1,5	3,685	3001392
050 KMH 600 YD 90°	50	600	1,5	4,246	3001393
060 KMH 100 YD 90°	60	100	1,5	1,408	3001394
060 KMH 200 YD 90°	60	200	1,5	1,848	3001395
060 KMH 300 YD 90°	60	300	1,5	2,508	3001396
060 KMH 400 YD 90°	60	400	1,5	3,025	3001397
060 KMH 500 YD 90°	60	500	1,5	3,927	3001398
060 KMH 600 YD 90°	60	600	1,5	4,510	3001399
075 KMH 100 YD 90°	75	100	1,5	1,628	3001400
075 KMH 200 YD 90°	75	200	1,5	2,101	3001401
075 KMH 300 YD 90°	75	300	1,5	2,805	3001402
075 KMH 400 YD 90°	75	400	1,5	3,355	3001403
075 KMH 500 YD 90°	75	500	1,5	4,290	3001404
075 KMH 600 YD 90°	75	600	1,5	4,917	3001405
100 KMH 200 YD 90°	100	200	1,5	2,530	3001406
100 KMH 300 YD 90°	100	300	1,5	3,289	3001407
100 KMH 400 YD 90°	100	400	1,5	3,905	3001408
100 KMH 500 YD 90°	100	500	1,5	4,906	3001409
100 KMH 600 YD 90°	100	600	1,5	5,588	3001410



H=040, H=050, H=060 single row perforated.
H=075 two row perforated.
H=100 three rows perforated.

Sample Order:
Height (H): 75 mm,
Tray Width (A,B): 500 mm,
Sheet Metal Thickness (T): 1,5 mm,
Type of Coating (S): Hot Dip Galvanized,
Module Type: Horizontal Elbow Module.



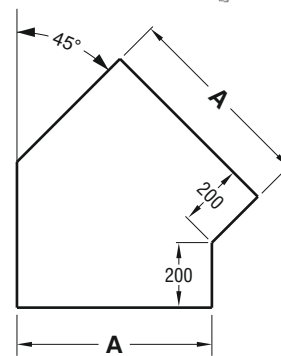
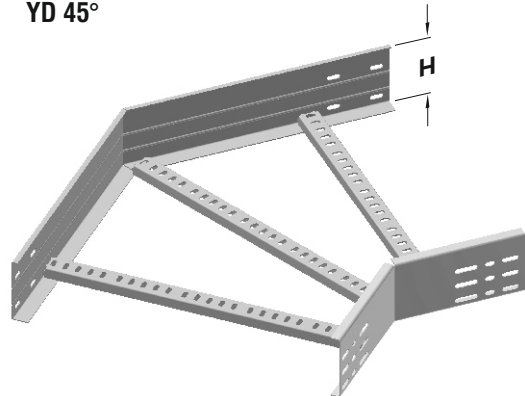
- Please indicate order code in your orders.
- Please contact us for special size.
- Material weights may vary by ± 10%

►► KMH HORIZONTAL ELBOW MODULE (45°)

Hot Dip Galvanized After Fabrication (TS EN ISO 1461)

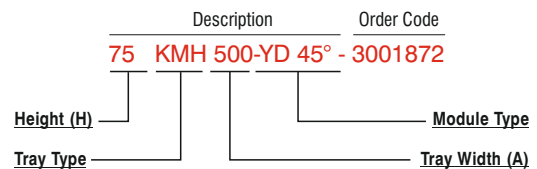
Description	H (mm)	A (mm)	T (mm)	Weight (kg/pc)	Order Code
040 KMH 100 YD 45°	40	100	1,5	0,883	3001850
040 KMH 200 YD 45°	40	200	1,5	1,056	3001851
040 KMH 300 YD 45°	40	300	1,5	1,232	3001852
040 KMH 400 YD 45°	40	400	1,5	1,372	3001853
040 KMH 500 YD 45°	40	500	1,5	1,535	3001854
040 KMH 600 YD 45°	40	600	1,5	1,699	3001855
050 KMH 100 YD 45°	50	100	1,5	1,056	3001856
050 KMH 200 YD 45°	50	200	1,5	1,190	3001857
050 KMH 300 YD 45°	50	300	1,5	1,390	3001858
050 KMH 400 YD 45°	50	400	1,5	1,540	3001859
050 KMH 500 YD 45°	50	500	1,5	1,710	3001860
050 KMH 600 YD 45°	50	600	1,5	1,880	3001861
060 KMH 100 YD 45°	60	100	1,5	1,169	3001862
060 KMH 200 YD 45°	60	200	1,5	1,355	3001863
060 KMH 300 YD 45°	60	300	1,5	1,552	3001864
060 KMH 400 YD 45°	60	400	1,5	1,710	3001865
060 KMH 500 YD 45°	60	500	1,5	1,890	3001866
060 KMH 600 YD 45°	60	600	1,5	2,100	3001867
075 KMH 100 YD 45°	75	100	1,5	1,280	3001868
075 KMH 200 YD 45°	75	200	1,5	1,492	3001869
075 KMH 300 YD 45°	75	300	1,5	1,706	3001870
075 KMH 400 YD 45°	75	400	1,5	1,883	3001871
075 KMH 500 YD 45°	75	500	1,5	2,081	3001872
075 KMH 600 YD 45°	75	600	1,5	2,283	3001873
100 KMH 200 YD 45°	100	200	1,5	1,802	3001874
100 KMH 300 YD 45°	100	300	1,5	2,043	3001875
100 KMH 400 YD 45°	100	400	1,5	2,247	3001876
100 KMH 500 YD 45°	100	500	1,5	2,472	3001877
100 KMH 600 YD 45°	100	600	1,5	2,700	3001878

YD 45°



H=040, H=050, H=060 single row perforated.
H=075 two row perforated.
H=100 three rows perforated.

Sample Order:
Height (H): 75 mm,
Tray Width (A): 500 mm,
Sheet Metal Thickness (T): 1,5 mm,
Type of Coating (S): Hot Dip Galvanized,
Module Type: Horizontal Elbow Module 45°



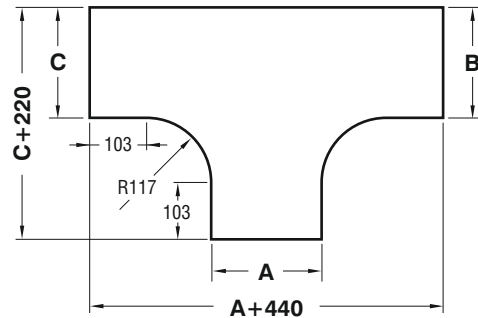
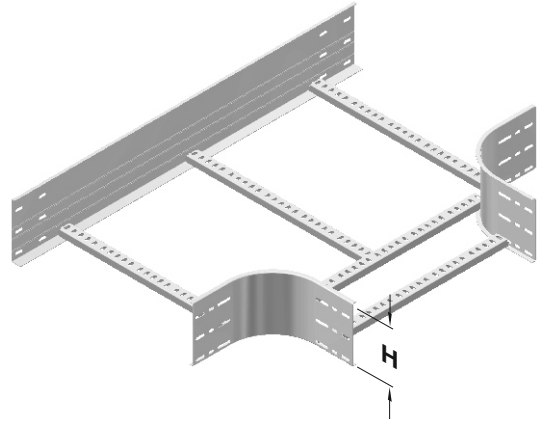
- Please indicate order code in your orders.
- Please contact us for special size.
- Material weights may vary by ± 10%

►► KMH "T" MODULE R=117

Hot Dip Galvanized After Fabrication (TS EN ISO 1461)

Description	H (mm)	ABC (mm)	T (mm)	Weight (kg/pc)	Order Code
040 KMH 100 YT	40	100	1,5	1,326	3001411
040 KMH 200 YT	40	200	1,5	1,790	3001412
040 KMH 300 YT	40	300	1,5	2,140	3001413
040 KMH 400 YT	40	400	1,5	2,766	3001414
040 KMH 500 YT	40	500	1,5	3,451	3001415
040 KMH 600 YT	40	600	1,5	3,924	3001416
050 KMH 100 YT	50	100	1,5	1,498	3001417
050 KMH 200 YT	50	200	1,5	1,975	3001418
050 KMH 300 YT	50	300	1,5	2,338	3001419
050 KMH 400 YT	50	400	1,5	2,976	3001420
050 KMH 500 YT	50	500	1,5	3,675	3001421
050 KMH 600 YT	50	600	1,5	4,161	3001422
060 KMH 100 YT	60	100	1,5	1,670	3001423
060 KMH 200 YT	60	200	1,5	2,159	3001424
060 KMH 300 YT	60	300	1,5	2,536	3001425
060 KMH 400 YT	60	400	1,5	3,187	3001731
060 KMH 500 YT	60	500	1,5	3,899	3001427
060 KMH 600 YT	60	600	1,5	4,398	3001428
075 KMH 100 YT	75	100	1,5	1,928	3001429
075 KMH 200 YT	75	200	1,5	2,437	3001430
075 KMH 300 YT	75	300	1,5	2,833	3001431
075 KMH 400 YT	75	400	1,5	3,504	3001432
075 KMH 500 YT	75	500	1,5	4,235	3001433
075 KMH 600 YT	75	600	1,5	4,753	3001434
100 KMH 200 YT	100	200	1,5	2,899	3001435
100 KMH 300 YT	100	300	1,5	3,328	3001436
100 KMH 400 YT	100	400	1,5	4,031	3001437
100 KMH 500 YT	100	500	1,5	4,795	3001438
100 KMH 600 YT	100	600	1,5	5,346	3001439

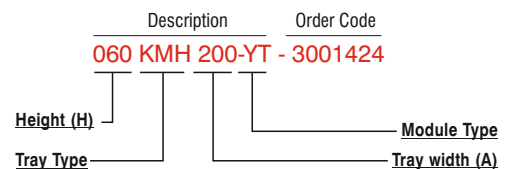
YT



H=040, H=050, H=060 single row perforated.
H=075 two row perforated.
H=100 three rows perforated.

Sample Order:

Height (H): 60 mm,
Tray Width (A,B,C): 200 mm,
Sheet Metal Thickness (T): 1,5 mm,
Type of Coating (S): Hot Dip Galvanized,
Module Type: "T" Module.

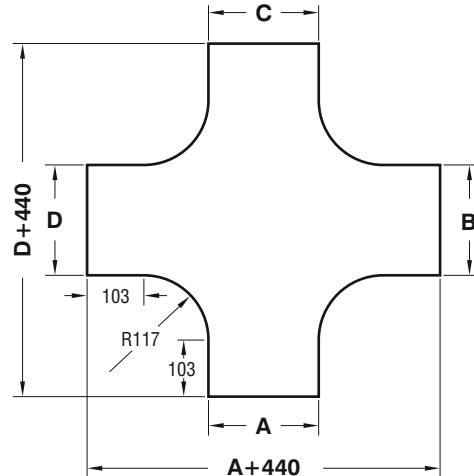
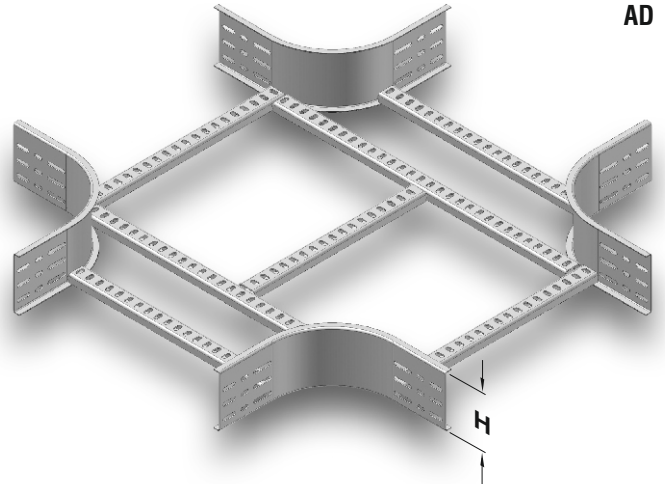


- Please indicate order code in your orders.
- Please contact us for special size.
- Material weights may vary by $\pm 10\%$

►► KMH "+" CONNECTION MODULE $R=117$

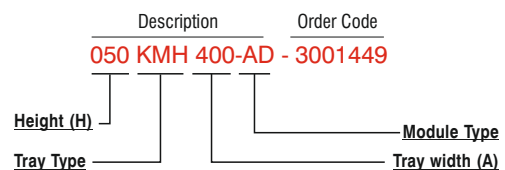
Hot Dip Galvanized After Fabrication (TS EN ISO 1461)

Description	H (mm)	ABCD (mm)	T (mm)	Weight (kg/pc)	Order Code
040 KMH 100 AD	40	100	1,5	1,504	3001440
040 KMH 200 AD	40	200	1,5	1,893	3001441
040 KMH 300 AD	40	300	1,5	2,213	3001442
040 KMH 400 AD	40	400	1,5	3,053	3001443
040 KMH 500 AD	40	500	1,5	3,508	3001444
040 KMH 600 AD	40	600	1,5	3,970	3001445
050 KMH 100 AD	50	100	1,5	1,688	3001446
050 KMH 200 AD	50	200	1,5	2,077	3001447
050 KMH 300 AD	50	300	1,5	2,397	3001448
050 KMH 400 AD	50	400	1,5	3,237	3001449
050 KMH 500 AD	50	500	1,5	3,692	3001450
050 KMH 600 AD	50	600	1,5	4,154	3001451
060 KMH 100 AD	60	100	1,5	1,868	3001452
060 KMH 200 AD	60	200	1,5	2,257	3001453
060 KMH 300 AD	60	300	1,5	2,577	3001454
060 KMH 400 AD	60	400	1,5	3,417	3001455
060 KMH 500 AD	60	500	1,5	3,872	3001456
060 KMH 600 AD	60	600	1,5	4,334	3001457
075 KMH 100 AD	75	100	1,5	2,096	3001458
075 KMH 200 AD	75	200	1,5	2,485	3001459
075 KMH 300 AD	75	300	1,5	2,805	3001460
075 KMH 400 AD	75	400	1,5	3,645	3001461
075 KMH 500 AD	75	500	1,5	4,100	3001462
075 KMH 600 AD	75	600	1,5	4,562	3001463
100 KMH 200 AD	100	200	1,5	2,897	3001464
100 KMH 300 AD	100	300	1,5	3,217	3001465
100 KMH 400 AD	100	400	1,5	4,057	3001466
100 KMH 500 AD	100	500	1,5	4,512	3001467
100 KMH 600 AD	100	600	1,5	5,120	3001468



H=040, H=050, H=060 single row perforated.
 H=075 two row perforated.
 H=100 three rows perforated.

Sample Order:
 Height (H): 50 mm,
 Tray Width (A,B,C,D): 400 mm,
 Sheet Metal Thickness (T): 1,5 mm,
 Type of Coating (S): Hot Dip Galvanized,
 Module Type: "+" Connection Module.

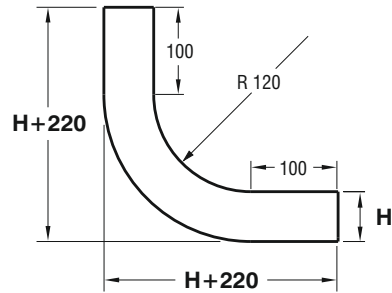
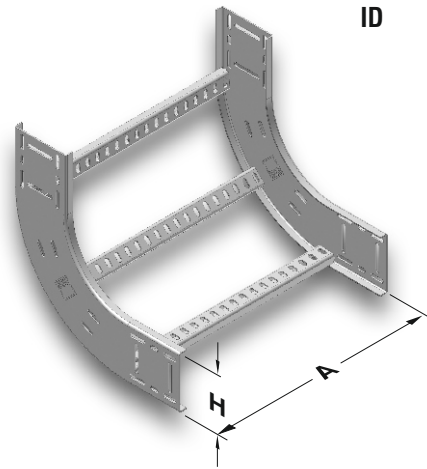


- Please indicate order code in your orders.
- Please contact us for special size.
- Material weights may vary by $\pm 10\%$

►► KMH CONCAVE MODULE (90°) R=120

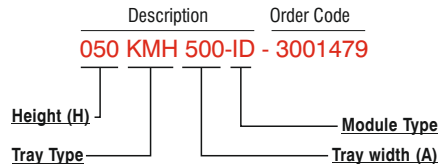
Hot Dip Galvanized After Fabrication (TS EN ISO 1461)

Description	H (mm)	A (mm)	T (mm)	Weight (kg/pc)	Order Code
040 KMH 100 ID	40	100	1,5	1,032	3001469
040 KMH 200 ID	40	200	1,5	1,299	3001470
040 KMH 300 ID	40	300	1,5	1,566	3001471
040 KMH 400 ID	40	400	1,5	1,834	3001472
040 KMH 500 ID	40	500	1,5	2,101	3001473
040 KMH 600 ID	40	600	1,5	2,365	3001474
050 KMH 100 ID	50	100	1,5	1,151	3001475
050 KMH 200 ID	50	200	1,5	1,436	3001476
050 KMH 300 ID	50	300	1,5	1,702	3001477
050 KMH 400 ID	50	400	1,5	1,969	3001478
050 KMH 500 ID	50	500	1,5	2,236	3001479
050 KMH 600 ID	50	600	1,5	2,500	3001480
060 KMH 100 ID	60	100	1,5	1,283	3001481
060 KMH 200 ID	60	200	1,5	1,575	3001482
060 KMH 300 ID	60	300	1,5	1,843	3001483
060 KMH 400 ID	60	400	1,5	2,110	3001484
060 KMH 500 ID	60	500	1,5	2,376	3001485
060 KMH 600 ID	60	600	1,5	2,641	3001486
075 KMH 100 ID	75	100	1,5	1,431	3001487
075 KMH 200 ID	75	200	1,5	1,791	3001488
075 KMH 300 ID	75	300	1,5	2,057	3001489
075 KMH 400 ID	75	400	1,5	2,324	3001490
075 KMH 500 ID	75	500	1,5	2,592	3001491
075 KMH 600 ID	75	600	1,5	2,856	3001492
100 KMH 200 ID	100	200	1,5	1,671	3001493
100 KMH 300 ID	100	300	1,5	2,439	3001494
100 KMH 400 ID	100	400	1,5	2,706	3001495
100 KMH 500 ID	100	500	1,5	2,973	3001496
100 KMH 600 ID	100	600	1,5	3,237	3001497



H=040, H=050, H=060 single row perforated.
 H=075 two row perforated.
 H=100 three rows perforated.

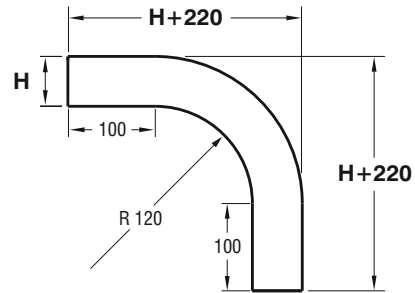
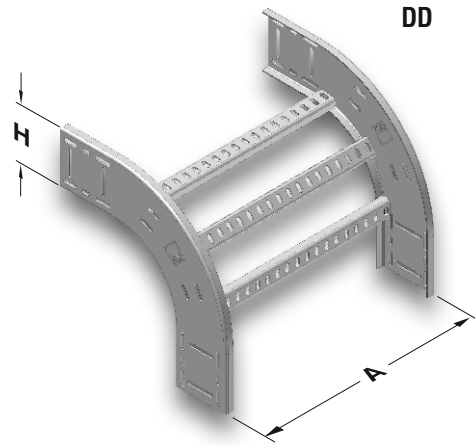
Sample Order:
 Height (H): 50 mm,
 Tray Width (A): 500 mm,
 Sheet Metal Thickness (T): 1,5 mm,
 Type of Coating (S): Hot Dip Galvanized,
 Module Type: Concave Module.



- Please indicate order code in your orders.
- Please contact us for special size.
- Material weights may vary by ± 10%

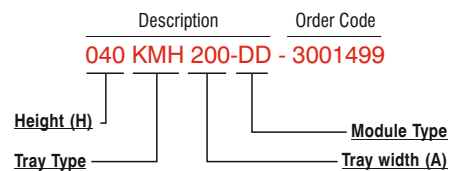
►► KMH CONVEX MODULE (90°) R=120 Hot Dip Galvanized After Fabrication (TS EN ISO 1461)

Description	H (mm)	A (mm)	T (mm)	Weight (kg/pc)	Order Code
040 KMH 100 DD	40	100	1,5	1,032	3001498
040 KMH 200 DD	40	200	1,5	1,299	3001499
040 KMH 300 DD	40	300	1,5	1,566	3001500
040 KMH 400 DD	40	400	1,5	1,834	3001501
040 KMH 500 DD	40	500	1,5	2,101	3001502
040 KMH 600 DD	40	600	1,5	2,365	3001503
050 KMH 100 DD	50	100	1,5	1,151	3001504
050 KMH 200 DD	50	200	1,5	1,436	3001505
050 KMH 300 DD	50	300	1,5	1,702	3001506
050 KMH 400 DD	50	400	1,5	1,969	3001507
050 KMH 500 DD	50	500	1,5	2,236	3001508
050 KMH 600 DD	50	600	1,5	2,500	3001509
060 KMH 100 DD	60	100	1,5	1,283	3001510
060 KMH 200 DD	60	200	1,5	1,575	3001511
060 KMH 300 DD	60	300	1,5	1,843	3001512
060 KMH 400 DD	60	400	1,5	2,110	3001513
060 KMH 500 DD	60	500	1,5	2,376	3001514
060 KMH 600 DD	60	600	1,5	2,641	3001515
075 KMH 100 DD	75	100	1,5	1,431	3001516
075 KMH 200 DD	75	200	1,5	1,791	3001517
075 KMH 300 DD	75	300	1,5	2,057	3001518
075 KMH 400 DD	75	400	1,5	2,324	3001519
075 KMH 500 DD	75	500	1,5	2,592	3001520
075 KMH 600 DD	75	600	1,5	2,856	3001521
100 KMH 200 DD	100	200	1,5	1,671	3001522
100 KMH 300 DD	100	300	1,5	2,439	3001523
100 KMH 400 DD	100	400	1,5	2,706	3001524
100 KMH 500 DD	100	500	1,5	2,973	3001525
100 KMH 600 DD	100	600	1,5	3,237	3001526



H=040, H=050, H=060 single row perforated.
H=075 two row perforated.
H=100 three rows perforated.

Sample Order:
Height (H): 40 mm,
Tray Width (A): 200 mm,
Sheet Metal Thickness (T): 1,5 mm,
Type of Coating (S): Hot Dip Galvanized,
Module Type: Convex Module

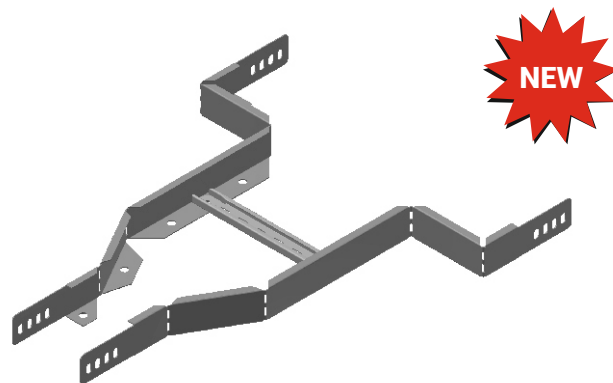


- Please indicate order code in your orders.
- Please contact us for special size.
- Material weights may vary by ± 10%

►► KMH REDUCTION MODULE

Hot Dip Galvanized After Fabrication (TS EN ISO 1461)

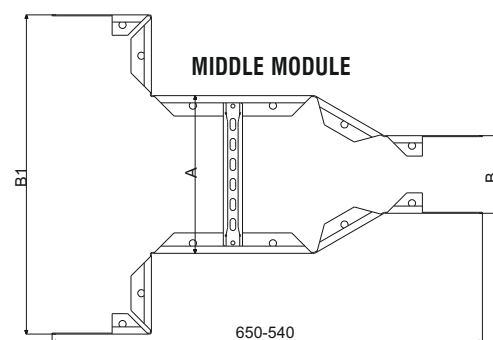
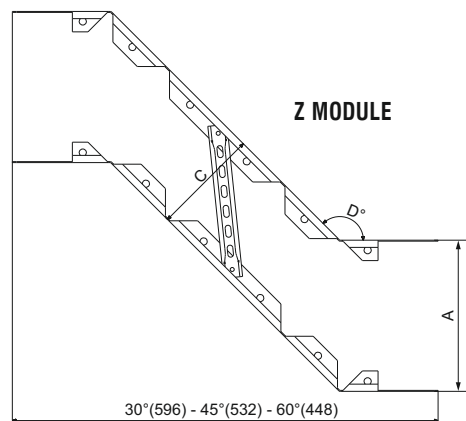
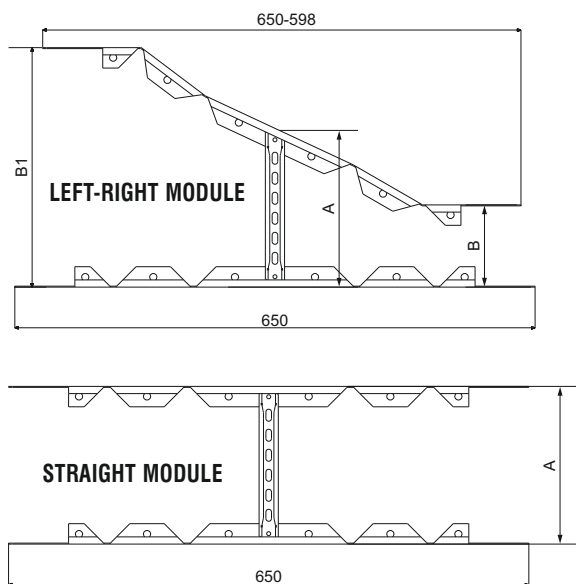
Description	A (mm)	Weight (kg/pc)	Order Code
040 KMH 200 REDUCTION MODULE	200	1,073	3136562
040 KMH 300 REDUCTION MODULE	300	1,103	3136563
040 KMH 400 REDUCTION MODULE	400	1,139	3136564
040 KMH 500 REDUCTION MODULE	500	1,170	3136565
040 KMH 600 REDUCTION MODULE	600	1,201	3136566
050 KMH 200 REDUCTION MODULE	200	1,180	3136567
050 KMH 300 REDUCTION MODULE	300	1,214	3136568
050 KMH 400 REDUCTION MODULE	400	1,253	3136569
050 KMH 500 REDUCTION MODULE	500	1,287	3136570
050 KMH 600 REDUCTION MODULE	600	1,321	3136571
060 KMH 200 REDUCTION MODULE	200	1,298	3136572
060 KMH 300 REDUCTION MODULE	300	1,335	3136573
060 KMH 400 REDUCTION MODULE	400	1,379	3136574
060 KMH 500 REDUCTION MODULE	500	1,416	3136575
060 KMH 600 REDUCTION MODULE	600	1,453	3136576
075 KMH 200 REDUCTION MODULE	200	1,435	3136577
075 KMH 300 REDUCTION MODULE	300	1,476	3136578
075 KMH 400 REDUCTION MODULE	400	1,525	3136579
075 KMH 500 REDUCTION MODULE	500	1,565	3136580
075 KMH 600 REDUCTION MODULE	600	1,607	3136581
100 KMH 200 REDUCTION MODULE	200	1,900	3136582
100 KMH 300 REDUCTION MODULE	300	1,955	3136583
100 KMH 400 REDUCTION MODULE	400	2,018	3136584
100 KMH 500 REDUCTION MODULE	500	2,073	3136585
100 KMH 600 REDUCTION MODULE	600	2,127	3136586



MIDDLE REDUCTION MODULE									
A		A		A		A		A	
200		300		400		500		600	
B	B1	B	B1	B	B1	B	B1	B	B1
100	400	200	500	300	600	400	700	500	800
100	350	200	450	300	550	400	650	500	750
100	300	200	400	300	500	400	600	500	700
100	250	200	350	300	450	400	550	500	650
100	200	200	300	300	400	400	500	500	600

LEFT - RIGHT REDUCTION MODULE									
A		A		A		A		A	
200		300		400		500		600	
B	B1	B	B1	B	B1	B	B1	B	B1
100	300	200	400	300	500	400	600	500	700
100	250	200	350	300	450	400	550	500	650
100	200	200	300	300	400	400	500	500	600

Z REDUCTION MODULE									
A		A		A		A		A	
200		300		400		500		600	
D°	C	D°	C	D°	C	D°	C	D°	C
30	167	30	254	30	341	30	427	30	514
45	133	45	205	45	235	45	346	45	417
60	92	60	142	60	192	60	242	60	293



- Please indicate order code in your orders.
- Please contact us for special size.
- Material weights may vary by ± 10%

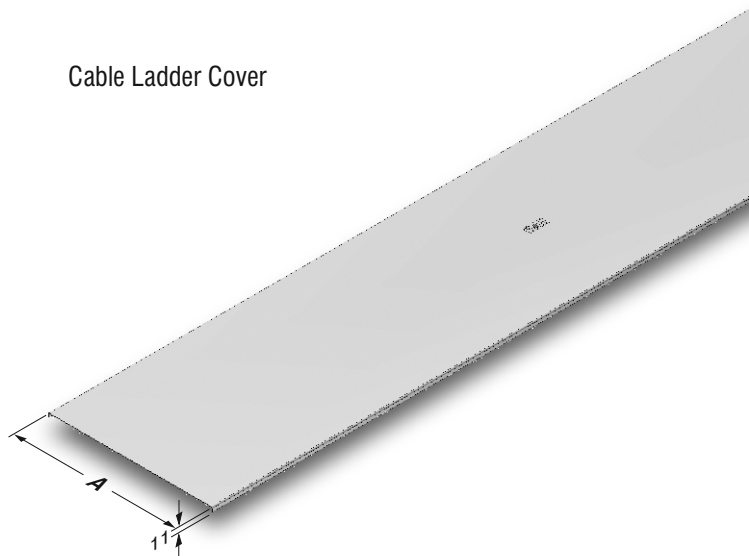
▶▶ KMH CABLE LADDER COVER

Hot Dip Galvanized After Fabrication (TS EN ISO 1461)

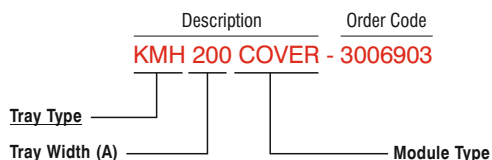
Description	A (mm)	T (mm)	Weight (kg./m.)	Order Code
KMH 100 COVER	105	1	1,059	3006907
KMH 200 COVER	205	1	1,927	3006903
KMH 300 COVER	305	1,5	4,191	3006899
KMH 400 COVER	405	1,5	5,493	3006897
KMH 500 COVER	505	1,5	6,795	3006895
KMH 600 COVER	605	1,5	8,097	3006893

■ Standard length is 3000 mm.

Cable Ladder Cover



Sample Order:

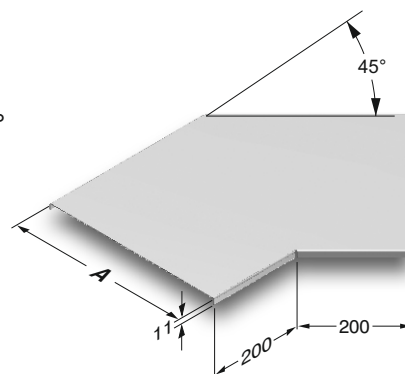


▶▶ KMH HORIZONTAL ELBOW MODULE COVER (45°)

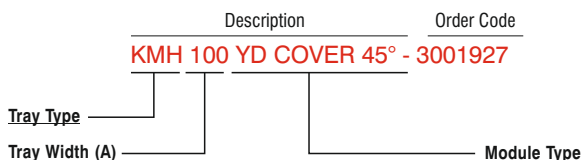
Hot Dip Galvanized After Fabrication (TS EN ISO 1461)

Description	A (mm)	T (mm)	Weight (kg./pc.)	Order Code
KMH 100 YD COVER 45°	105	1,5	0,681	3001927
KMH 200 YD COVER 45°	205	1,5	1,247	3001929
KMH 300 YD COVER 45°	305	1,5	1,970	3001931
KMH 400 YD COVER 45°	405	1,5	2,792	3001932
KMH 500 YD COVER 45°	505	1,5	3,712	3001933
KMH 600 YD COVER 45°	605	1,5	4,729	3001934

YD 45°



Sample Order:



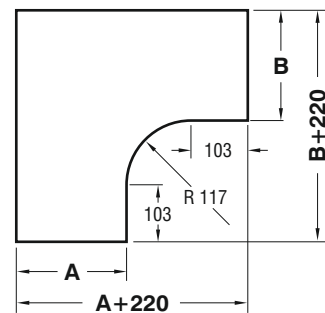
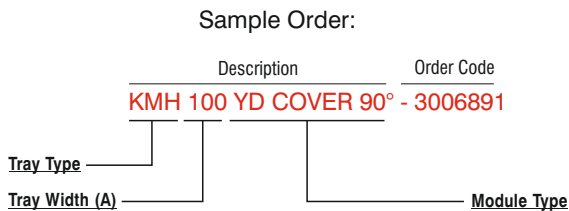
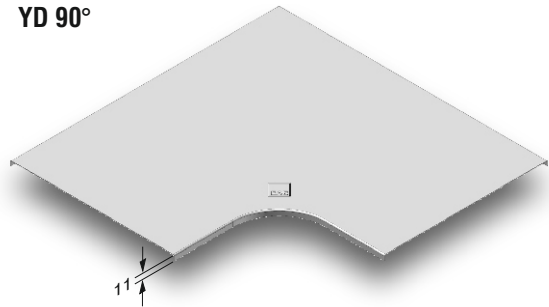
- Please indicate order code in your orders.
- Please contact us for special size.
- Material weights may vary by ± 10%

►► KMH HORIZONTAL ELBOW MODULE COVER (90°) R=117

Hot Dip Galvanized After Fabrication (TS EN ISO 1461)

Description	AB (mm)	T (mm)	Weight (kg/pc)	Order Code
KMH 100 YD COVER 90°	105	1,5	0,331	3006891
KMH 200 YD COVER 90°	205	1,5	0,943	3006887
KMH 300 YD COVER 90°	305	1,5	1,780	3006883
KMH 400 YD COVER 90°	405	1,5	2,878	3006881
KMH 500 YD COVER 90°	505	1,5	4,235	3006879
KMH 600 YD COVER 90°	605	1,5	7,770	3006877

YD 90°

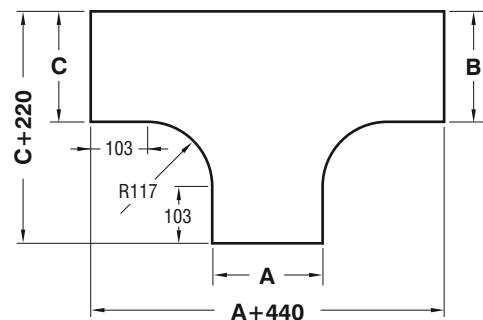
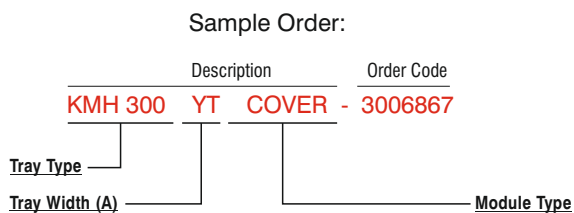
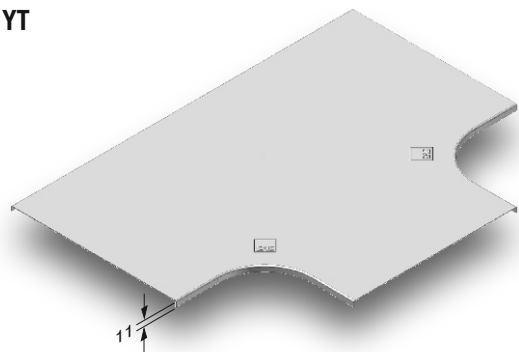


►► KMH "T" MODULE COVER R=117

Hot Dip Galvanized After Fabrication (TS EN ISO 1461)

Description	ABC (mm)	T (mm)	Weight (kg/pc)	Order Code
KMH 100 YT COVER	105	1,5	1,293	3006875
KMH 200 YT COVER	205	1,5	2,569	3006871
KMH 300 YT COVER	305	1,5	4,105	3006867
KMH 400 YT COVER	405	1,5	5,902	3006865
KMH 500 YT COVER	505	1,5	7,959	3006863
KMH 600 YT COVER	605	1,5	10,275	3006861

YT



■ Please indicate order code in your orders.

■ Please contact us for special size.

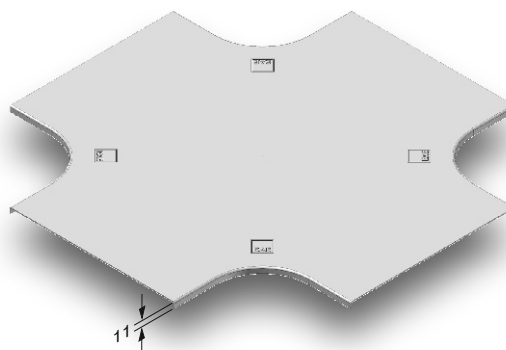
■ Material weights may vary by ± 10%

►► KMH "+" CONNECTION MODULE COVER R=117

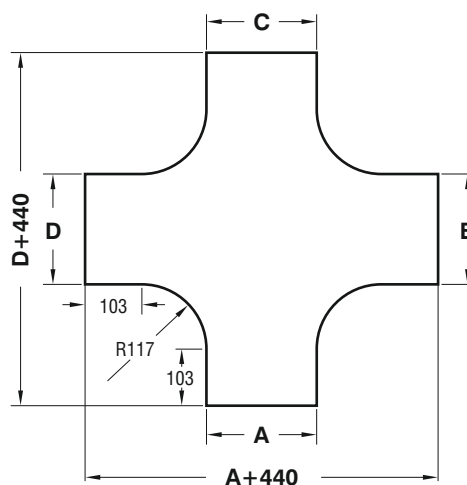
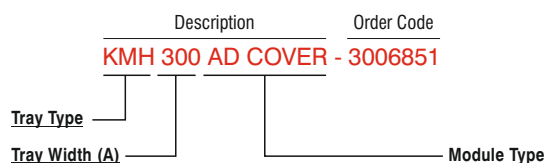
Hot Dip Galvanized After Fabrication (TS EN ISO 1461)

Description	ABCD (mm)	T (mm)	Weight (kg/pc)	Order Code
KMH 100 AD COVER	105	1,5	1,699	3006859
KMH 200 AD COVER	205	1,5	3,248	3006855
KMH 300 AD COVER	305	1,5	5,057	3006851
KMH 400 AD COVER	405	1,5	7,127	3006849
KMH 500 AD COVER	505	1,5	9,458	3006847
KMH 600 AD COVER	605	1,5	12,048	3006845

AD



Sample Order:

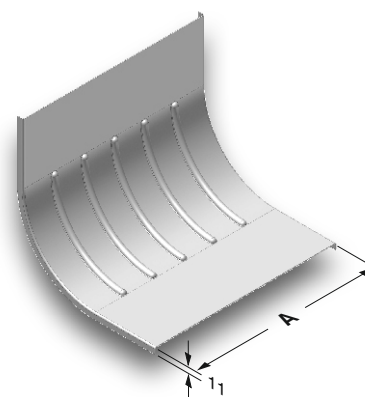


►► KMH CONCAVE MODULE COVER

Hot Dip Galvanized After Fabrication (TS EN ISO 1461)

Description	A (mm)	T (mm)	Weight (kg/pc)	Order Code
KMH 100 ID COVER	105	1,5	0,634	3006843
KMH 200 ID COVER	205	1,5	1,133	3006839
KMH 300 ID COVER	305	1,5	1,632	3006835
KMH 400 ID COVER	405	1,5	2,131	3006833
KMH 500 ID COVER	505	1,5	2,630	3006831
KMH 600 ID COVER	605	1,5	3,129	3006829

ID (90°)



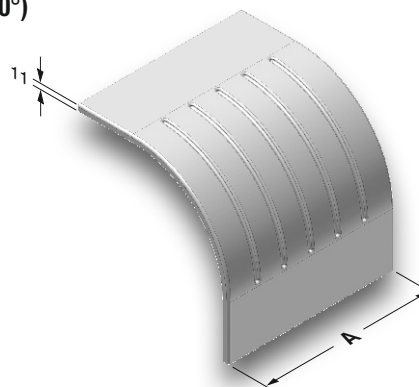
- Please indicate order code in your orders.
- Please contact us for special size.
- Material weights may vary by $\pm 10\%$

►► KMH CONVEX MODULE COVER

Hot Dip Galvanized After Fabrication (TS EN ISO 1461)

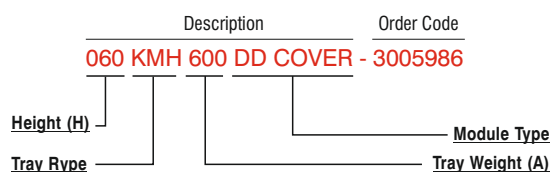
Description	A (mm)	T (mm)	Weight (kg/pc)	Order Code
040 KMH 100 DD COVER	105	1,5	0,737	3006827
040 KMH 200 DD COVER	205	1,5	1,317	3006823
040 KMH 300 DD COVER	305	1,5	1,898	3006819
040 KMH 400 DD COVER	405	1,5	2,478	3006817
040 KMH 500 DD COVER	505	1,5	3,058	3006815
040 KMH 600 DD COVER	605	1,5	3,639	3006813
<hr/>				
050 KMH 100 DD COVER	105	1,5	0,763	3006016
050 KMH 200 DD COVER	205	1,5	1,364	3006012
050 KMH 300 DD COVER	305	1,5	1,964	3006008
050 KMH 400 DD COVER	405	1,5	2,565	3006006
050 KMH 500 DD COVER	505	1,5	3,166	3006004
050 KMH 600 DD COVER	605	1,5	3,766	3006002
<hr/>				
060 KMH 100 DD COVER	105	1,5	0,789	3006000
060 KMH 200 DD COVER	205	1,5	1,410	3005996
060 KMH 300 DD COVER	305	1,5	2,031	3005992
060 KMH 400 DD COVER	405	1,5	2,652	3005990
060 KMH 500 DD COVER	505	1,5	3,273	3005988
060 KMH 600 DD COVER	605	1,5	3,894	3005986
<hr/>				
075 KMH 100 DD COVER	105	1,5	0,827	3005984
075 KMH 200 DD COVER	205	1,5	1,479	3005982
075 KMH 300 DD COVER	305	1,5	2,130	3005980
075 KMH 400 DD COVER	405	1,5	2,782	3005978
075 KMH 500 DD COVER	505	1,5	3,434	3005976
075 KMH 600 DD COVER	605	1,5	4,085	3005974
<hr/>				
100 KMH 200 DD COVER	205	1,5	1,594	3005972
100 KMH 300 DD COVER	305	1,5	2,297	3005970
100 KMH 400 DD COVER	405	1,5	2,999	3005968
100 KMH 500 DD COVER	505	1,5	3,701	3005966
100 KMH 600 DD COVER	605	1,5	4,404	3005964

DD (90°)



H=040, 050, 060, 075, 100 modul covers

Sample Order:



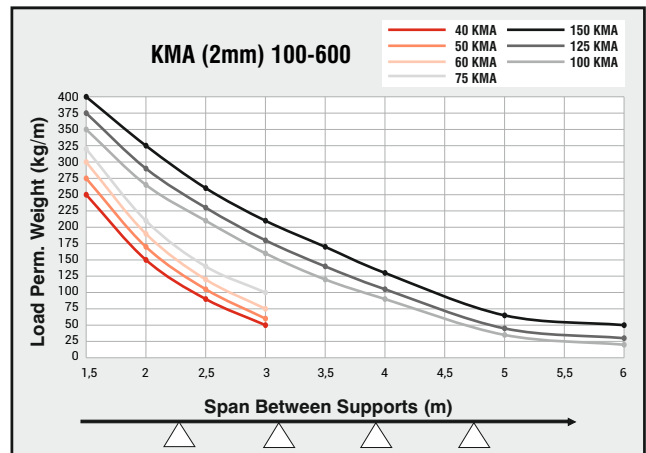
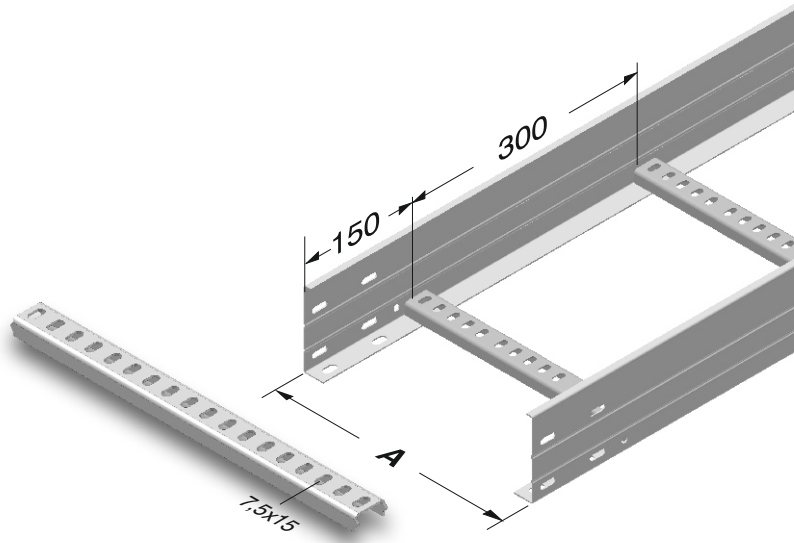
- Please indicate order code in your orders.
- Please contact us for special size.
- Material weights may vary by ± 10%

►► KMA CABLE LADDERS

Hot Dip Galvanized After Fabrication (TS EN ISO 1461)

Description	H (mm)	A (mm)	T (mm)	Weight (kg./m.)	Order Code
040 KMA 100	40	100	2	2,519	3106644
040 KMA 200	40	200	2	2,732	3106645
040 KMA 300	40	300	2	2,944	3106646
040 KMA 400	40	400	2	3,409	3106647
040 KMA 500	40	500	2	3,682	3106648
040 KMA 600	40	600	2	3,959	3106649
050 KMA 100	50	100	2	2,859	3106650
050 KMA 200	50	200	2	3,071	3106651
050 KMA 300	50	300	2	3,283	3106652
050 KMA 400	50	400	2	3,748	3106653
050 KMA 500	50	500	2	4,021	3106654
050 KMA 600	50	600	2	4,299	3106655
060 KMA 100	60	100	2	3,198	3106656
060 KMA 200	60	200	2	3,410	3106657
060 KMA 300	60	300	2	3,622	3106658
060 KMA 400	60	400	2	4,087	3106659
060 KMA 450	60	450	2	4,227	3107823
060 KMA 500	60	500	2	4,360	3106660
060 KMA 600	60	600	2	4,638	3106661
075 KMA 100	75	100	2	3,717	3106665
075 KMA 200	75	200	2	3,929	3106666
075 KMA 300	75	300	2	4,142	3106667
075 KMA 400	75	400	2	4,606	3106668
075 KMA 450	75	450	2	4,746	3107824
075 KMA 500	75	500	2	4,880	3106669
075 KMA 600	75	600	2	5,157	3106670
100 KMA 200	100	200	2	4,771	3106674
100 KMA 300	100	300	2	4,983	3106675
100 KMA 400	100	400	2	5,448	3106676
100 KMA 450	100	450	2	5,588	3107825
100 KMA 500	100	500	2	5,721	3106677
100 KMA 600	100	600	2	5,999	3106678
125 KMA 200	125	200	2	5,632	3106682
125 KMA 300	125	300	2	5,844	3106683
125 KMA 400	125	400	2	6,308	3106684
125 KMA 450	125	450	2	6,449	3107826
125 KMA 500	125	500	2	6,582	3106685
125 KMA 600	125	600	2	6,859	3106686

- Standard length is 3000 mm.
- Please indicate order code in your orders.
- Please contact us for special size.
- Material weights may vary by ± 10%
- Width of 700-800 and 900 mm binrak trays use as step.



- Load Perm. Weight may change +/- according to the sheet tolerance and hardness. Please contact to your customer representative for detailed information.

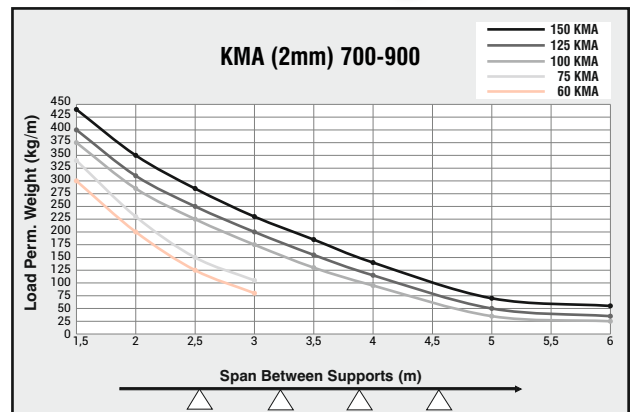
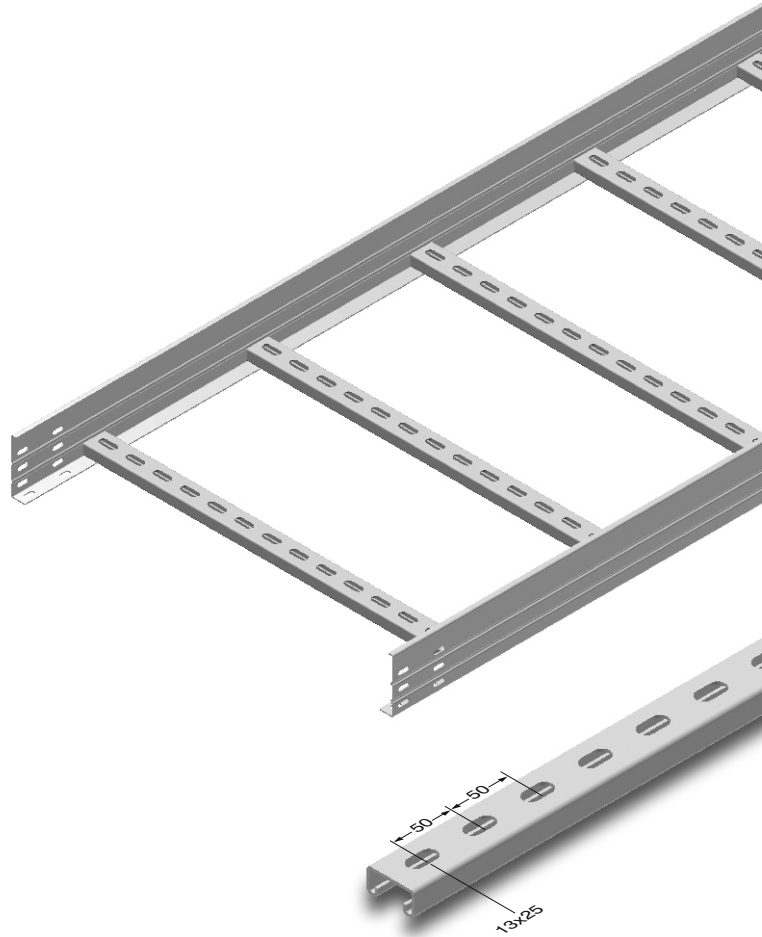
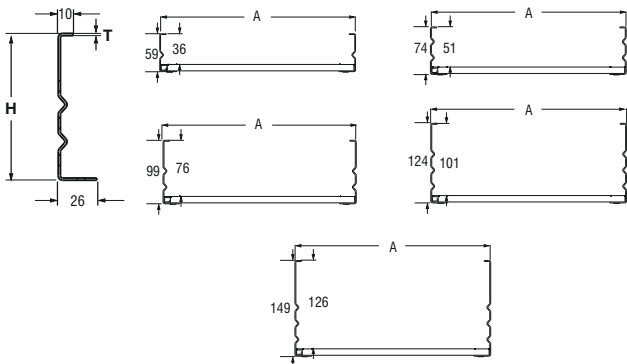
Description	H (mm)	A (mm)	T (mm)	Weight (kg./m.)	Order Code
150 KMA 200	150	200	2	6,473	3106692
150 KMA 300	150	300	2	6,686	3106693
150 KMA 400	150	400	2	7,150	3106694
150 KMA 450	150	450	2	7,291	3107827
150 KMA 500	150	500	2	7,424	3106695
150 KMA 600	150	600	2	7,701	3106696

►► KMA CABLE LADDERS

Hot Dip Galvanized After Fabrication (TS EN ISO 1461)

Description	H (mm)	A (mm)	T (mm)	Weight (kg./m.)	Order Code
060 KMA 700	60	700	2	6,657	3106662
060 KMA 800	60	800	2	7,179	3106663
060 KMA 900	60	900	2	7,701	3106664
075 KMA 700	75	700	2	7,176	3106671
075 KMA 800	75	800	2	7,698	3106672
075 KMA 900	75	900	2	8,220	3106673
100 KMA 700	100	700	2	8,018	3106679
100 KMA 800	100	800	2	8,540	3106680
100 KMA 900	100	900	2	9,062	3106681
125 KMA 700	125	700	2	8,879	3106688
125 KMA 800	125	800	2	9,401	3106689
125 KMA 900	125	900	2	9,923	3106690
150 KMA 700	150	700	2	9,721	3106697
150 KMA 800	150	800	2	10,243	3106698
150 KMA 900	150	900	2	10,765	3106700

■ Width of 700-800 and 900 mm C profile use as step.



■ Load Perm. Weight may change +/- according to the sheet tolerance and hardness.

Please contact to your customer representative for detailed information.

►► KMA CABLE LADDER COVER

Hot Dip Galvanized After Fabrication (TS EN ISO 1461)

Description	A (mm)	T (mm)	Weight (kg./m.)	Order Code
KMA 100 COVER	105	2	2,118	3005698
KMA 200 COVER	205	2	3,853	3005694
KMA 300 COVER	305	2	5,589	3005690
KMA 400 COVER	405	2	7,325	3005688
KMA 500 COVER	505	2	9,061	3005686
KMA 600 COVER	605	2	10,797	3005684

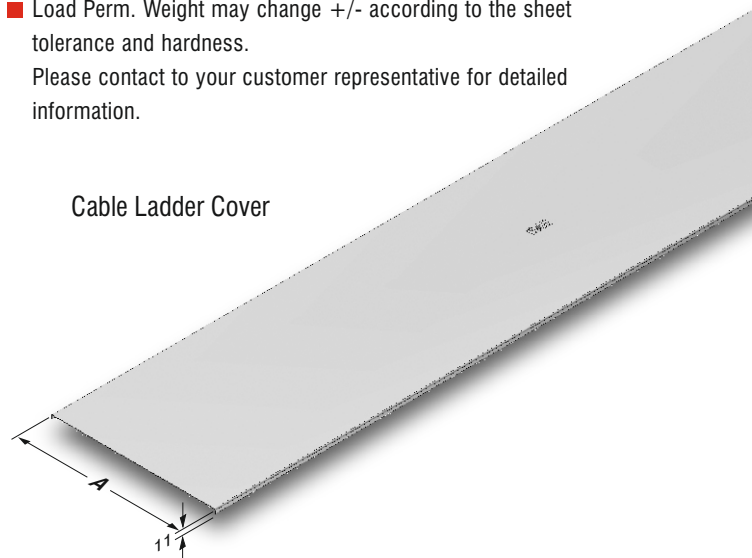
■ Standard length is 3000 mm.

■ Please indicate order code in your orders.

■ Please contact us for special size.

■ Material weights may vary by ± 10%

Cable Ladder Cover

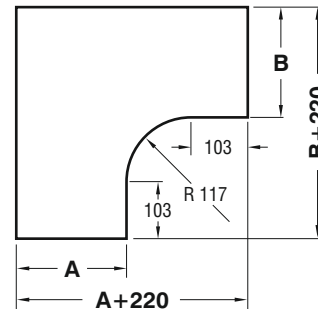
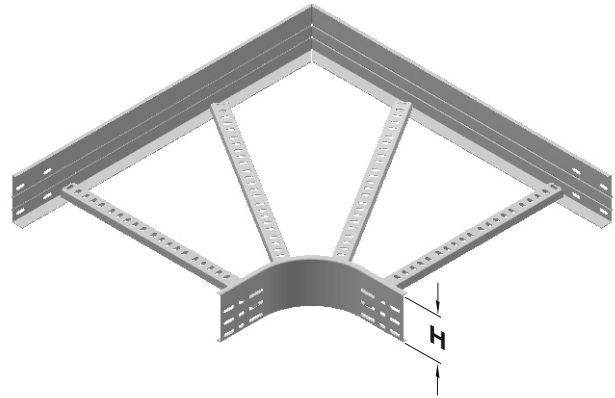


►► KMA HORIZONTAL ELBOW MODULE (90°) R=117

Hot Dip Galvanized After Fabrication (TS EN ISO 1461)

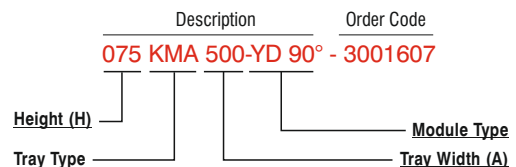
YD 90°

Description	H (mm)	AB (mm)	T (mm)	Weight (kg/pc)	Order Code
040 KMA 100 YD 90°	40	100	2	1,220	3001585
040 KMA 200 YD 90°	40	200	2	1,783	3001586
040 KMA 300 YD 90°	40	300	2	2,342	3001587
040 KMA 400 YD 90°	40	400	2	2,969	3001588
040 KMA 500 YD 90°	40	500	2	3,463	3001589
040 KMA 600 YD 90°	40	600	2	4,023	3001590
050 KMA 100 YD 90°	50	100	2	1,396	3001591
050 KMA 200 YD 90°	50	200	2	1,993	3001592
050 KMA 300 YD 90°	50	300	2	2,586	3001593
050 KMA 400 YD 90°	50	400	2	3,180	3001594
050 KMA 500 YD 90°	50	500	2	3,777	3001595
050 KMA 600 YD 90°	50	600	2	4,370	3001596
060 KMA 100 YD 90°	60	100	2	1,572	3001597
060 KMA 200 YD 90°	60	200	2	2,204	3001598
060 KMA 300 YD 90°	60	300	2	2,831	3001599
060 KMA 400 YD 90°	60	400	2	3,460	3001600
060 KMA 500 YD 90°	60	500	2	4,091	3001601
060 KMA 600 YD 90°	60	600	2	4,719	3001602
075 KMA 100 YD 90°	75	100	2	1,804	3001603
075 KMA 200 YD 90°	75	200	2	2,488	3001604
075 KMA 300 YD 90°	75	300	2	3,168	3001605
075 KMA 400 YD 90°	75	400	2	3,847	3001606
075 KMA 500 YD 90°	75	500	2	4,531	3001607
075 KMA 600 YD 90°	75	600	2	5,211	3001608
100 KMA 200 YD 90°	100	200	2	2,983	3001609
100 KMA 300 YD 90°	100	300	2	3,937	3001610
100 KMA 400 YD 90°	100	400	2	4,514	3001611
100 KMA 500 YD 90°	100	500	2	5,286	3001612
100 KMA 600 YD 90°	100	600	2	6,051	3001613
125 KMA 200 YD 90°	125	200	2	3,806	3002443
125 KMA 300 YD 90°	125	300	2	4,854	3002444
125 KMA 400 YD 90°	125	400	2	5,716	3002445
125 KMA 500 YD 90°	125	500	2	7,097	3002446
125 KMA 600 YD 90°	125	600	2	8,062	3002447
150 KMA 200 YD 90°	150	200	2	4,359	3002448
150 KMA 300 YD 90°	150	300	2	5,477	3002449
150 KMA 400 YD 90°	150	400	2	6,412	3002450
150 KMA 500 YD 90°	150	500	2	7,889	3002451
150 KMA 600 YD 90°	150	600	2	8,931	3002452



H=040, H=050, H=060 single row perforated.
 H=075 two row perforated.
 H=100 three rows perforated.
 H=125 four rows perforated
 H=150 five rows perforated.

Sample Order:
 Height (H): 75 mm,
 Tray Width (A,B): 500 mm,
 Sheet Metal Thickness (T): 2 mm,
 Type of Coating (S): Hot Dip Galvanized,
 Module Type: Horizontal Elbow Module.

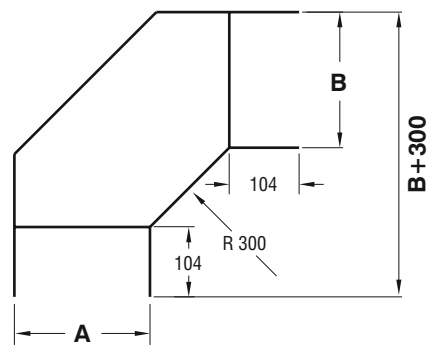
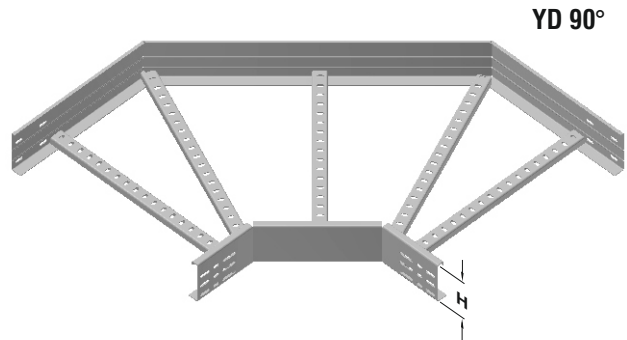


- Please indicate order code in your orders.
- Please contact us for special size.
- Material weights may vary by ± 10%

►► KMA HORIZONTAL ELBOW MODULE (90°) R=300

Hot Dip Galvanized After Fabrication (TS EN ISO 1461)

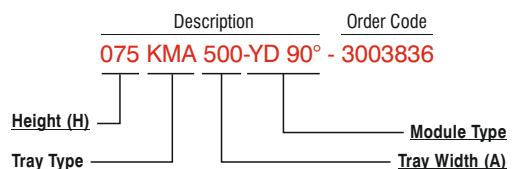
Description	H (mm)	AB (mm)	T (mm)	Weight (kg/pc)	Order Code
040 KMA 100 YD 90°	40	100	2	2,286	3003814
040 KMA 200 YD 90°	40	200	2	2,973	3003815
040 KMA 300 YD 90°	40	300	2	3,661	3003816
040 KMA 400 YD 90°	40	400	2	4,347	3003817
040 KMA 500 YD 90°	40	500	2	5,035	3003818
040 KMA 600 YD 90°	40	600	2	5,722	3003819
050 KMA 100 YD 90°	50	100	2	2,558	3003820
050 KMA 200 YD 90°	50	200	2	3,274	3003821
050 KMA 300 YD 90°	50	300	2	3,990	3003822
050 KMA 400 YD 90°	50	400	2	4,705	3003823
050 KMA 500 YD 90°	50	500	2	5,421	3003824
050 KMA 600 YD 90°	50	600	2	6,137	3003825
060 KMA 100 YD 90°	60	100	2	2,829	3003826
060 KMA 200 YD 90°	60	200	2	3,574	3003827
060 KMA 300 YD 90°	60	300	2	4,319	3003828
060 KMA 400 YD 90°	60	400	2	5,062	3003829
060 KMA 500 YD 90°	60	500	2	5,807	3003830
060 KMA 600 YD 90°	60	600	2	6,552	3003831
075 KMA 100 YD 90°	75	100	2	3,207	3003832
075 KMA 200 YD 90°	75	200	2	3,994	3003833
075 KMA 300 YD 90°	75	300	2	4,781	3003834
075 KMA 400 YD 90°	75	400	2	5,568	3003835
075 KMA 500 YD 90°	75	500	2	6,356	3003836
075 KMA 600 YD 90°	75	600	2	7,143	3003837
100 KMA 200 YD 90°	100	200	2	4,715	3003839
100 KMA 300 YD 90°	100	300	2	5,574	3003840
100 KMA 400 YD 90°	100	400	2	6,433	3003841
100 KMA 500 YD 90°	100	500	2	7,291	3003842
100 KMA 600 YD 90°	100	600	2	8,150	3003843
125 KMA 200 YD 90°	125	200	2	5,453	3000676
125 KMA 300 YD 90°	125	300	2	6,382	3000677
125 KMA 400 YD 90°	125	400	2	7,313	3000678
125 KMA 500 YD 90°	125	500	2	8,243	3000679
125 KMA 600 YD 90°	125	600	2	9,174	3000680
150 KMA 200 YD 90°	150	200	2	6,155	3000681
150 KMA 300 YD 90°	150	300	2	7,157	3000682
150 KMA 400 YD 90°	150	400	2	8,159	3000683
150 KMA 500 YD 90°	150	500	2	9,161	3000684
150 KMA 600 YD 90°	150	600	2	10,163	3000685



H=040, H=050, H=060 single row perforated.
 H=075 two row perforated.
 H=100 three rows perforated.
 H=125 four rows perforated
 H=150 five rows perforated.

Sample Order:

Height (H): 75 mm,
 Tray Width (A,B): 500 mm,
 Sheet Metal Thickness (T): 2 mm,
 Type of Coating (S): Hot Dip Galvanized,
 Module Type: Horizontal Elbow Module.

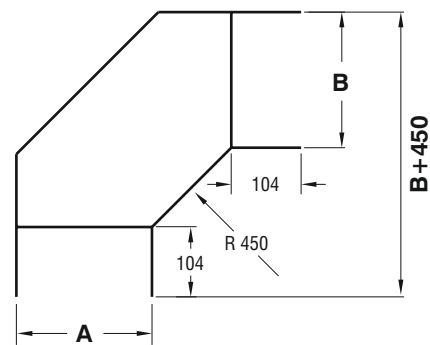
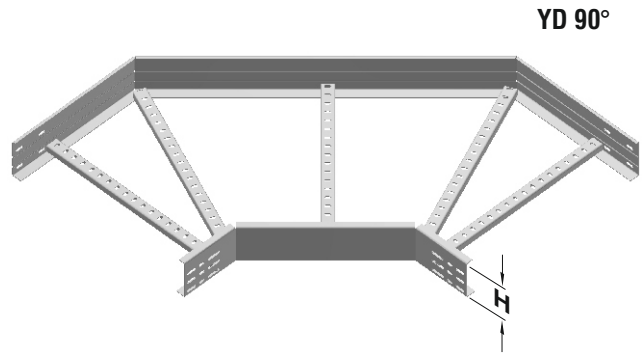


- Please indicate order code in your orders.
- Please contact us for special size.
- Material weights may vary by ± 10%

►► KMA HORIZONTAL ELBOW MODULE (90°) R=450

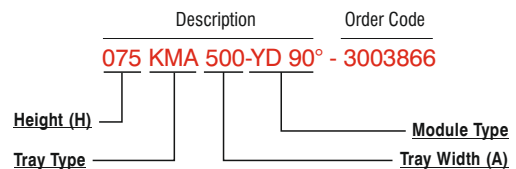
Hot Dip Galvanized After Fabrication (TS EN ISO 1461)

Description	H (mm)	AB (mm)	T (mm)	Weight (kg/pc)	Order Code
040 KMA 100 YD 90°	40	100	2	2,877	3003844
040 KMA 200 YD 90°	40	200	2	3,563	3003845
040 KMA 300 YD 90°	40	300	2	4,250	3003846
040 KMA 400 YD 90°	40	400	2	4,938	3003847
040 KMA 500 YD 90°	40	500	2	5,625	3003848
040 KMA 600 YD 90°	40	600	2	6,313	3003849
050 KMA 100 YD 90°	50	100	2	3,234	3003850
050 KMA 200 YD 90°	50	200	2	3,950	3003851
050 KMA 300 YD 90°	50	300	2	4,665	3003852
050 KMA 400 YD 90°	50	400	2	5,381	3003853
050 KMA 500 YD 90°	50	500	2	6,097	3003854
050 KMA 600 YD 90°	50	600	2	6,764	3003855
060 KMA 100 YD 90°	60	100	2	3,592	3003856
060 KMA 200 YD 90°	60	200	2	4,336	3003857
060 KMA 300 YD 90°	60	300	2	5,080	3003858
060 KMA 400 YD 90°	60	400	2	5,825	3003859
060 KMA 500 YD 90°	60	500	2	6,569	3003860
060 KMA 600 YD 90°	60	600	2	7,314	3003861
075 KMA 100 YD 90°	75	100	2	4,098	3003862
075 KMA 200 YD 90°	75	200	2	4,885	3003863
075 KMA 300 YD 90°	75	300	2	5,672	3003864
075 KMA 400 YD 90°	75	400	2	6,459	3003865
075 KMA 500 YD 90°	75	500	2	7,247	3003866
075 KMA 600 YD 90°	75	600	2	8,034	3003867
100 KMA 200 YD 90°	100	200	2	5,451	3003869
100 KMA 300 YD 90°	100	300	2	6,024	3003870
100 KMA 400 YD 90°	100	400	2	6,727	3003871
100 KMA 500 YD 90°	100	500	2	7,605	3003872
100 KMA 600 YD 90°	100	600	2	8,910	3003873
125 KMA 200 YD 90°	125	200	2	6,754	3000686
125 KMA 300 YD 90°	125	300	2	7,685	3000687
125 KMA 400 YD 90°	125	400	2	8,615	3000688
125 KMA 500 YD 90°	125	500	2	9,546	3000689
125 KMA 600 YD 90°	125	600	2	10,476	3000690
150 KMA 200 YD 90°	150	200	2	7,689	3000691
150 KMA 300 YD 90°	150	300	2	8,691	3000692
150 KMA 400 YD 90°	150	400	2	9,693	3000693
150 KMA 500 YD 90°	150	500	2	10,695	3000694
150 KMA 600 YD 90°	150	600	2	11,697	3000695



H=040, H=050, H=060 single row perforated.
 H=075 two row perforated.
 H=100 three rows perforated.
 H=125 four rows perforated
 H=150 five rows perforated.

Sample Order:
 Height (H): 75 mm,
 Tray Width (A,B): 500 mm,
 Sheet Metal Thickness (T): 2 mm,
 Type of Coating (S): Hot Dip Galvanized,
 Module Type: Horizontal Elbow Module.



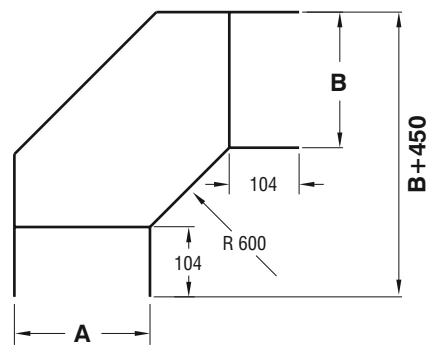
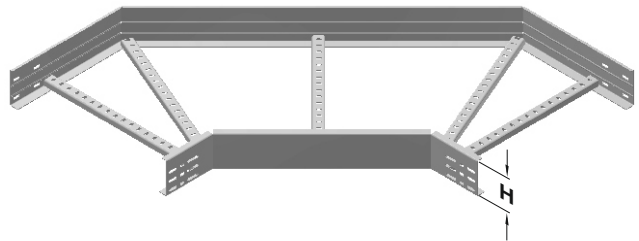
- Please indicate order code in your orders.
- Please contact us for special size.
- Material weights may vary by ± 10%

►► KMA HORIZONTAL ELBOW MODULE (90°) R=600

Hot Dip Galvanized After Fabrication (TS EN ISO 1461)

Description	H (mm)	AB (mm)	T (mm)	Weight (kg/pc)	Order Code
040 KMA 100 YD 90°	40	100	2	3,466	3003874
040 KMA 200 YD 90°	40	200	2	4,154	3003875
040 KMA 300 YD 90°	40	300	2	4,841	3003876
040 KMA 400 YD 90°	40	400	2	5,529	3003877
040 KMA 500 YD 90°	40	500	2	6,216	3003878
040 KMA 600 YD 90°	40	600	2	6,903	3003879
050 KMA 100 YD 90°	50	100	2	3,911	3003880
050 KMA 200 YD 90°	50	200	2	4,626	3003881
050 KMA 300 YD 90°	50	300	2	5,342	3003882
050 KMA 400 YD 90°	50	400	2	6,058	3003883
050 KMA 500 YD 90°	50	500	2	6,774	3003884
050 KMA 600 YD 90°	50	600	2	7,489	3003885
060 KMA 100 YD 90°	60	100	2	4,354	3003886
060 KMA 200 YD 90°	60	200	2	5,097	3003887
060 KMA 300 YD 90°	60	300	2	5,842	3003888
060 KMA 400 YD 90°	60	400	2	6,587	3003889
060 KMA 500 YD 90°	60	500	2	7,332	3003890
060 KMA 600 YD 90°	60	600	2	8,076	3003891
075 KMA 100 YD 90°	75	100	2	4,989	3003892
075 KMA 200 YD 90°	75	200	2	5,775	3003893
075 KMA 300 YD 90°	75	300	2	6,563	3003894
075 KMA 400 YD 90°	75	400	2	7,350	3003895
075 KMA 500 YD 90°	75	500	2	8,128	3003896
075 KMA 600 YD 90°	75	600	2	8,801	3003897
100 KMA 200 YD 90°	100	200	2	6,926	3003899
100 KMA 300 YD 90°	100	300	2	7,785	3003900
100 KMA 400 YD 90°	100	400	2	8,643	3003901
100 KMA 500 YD 90°	100	500	2	9,502	3003902
100 KMA 600 YD 90°	100	600	2	10,361	3003903
125 KMA 200 YD 90°	125	200	2	8,074	3000696
125 KMA 300 YD 90°	125	300	2	9,005	3000697
125 KMA 400 YD 90°	125	400	2	9,935	3000698
125 KMA 500 YD 90°	125	500	2	10,866	3000699
125 KMA 600 YD 90°	125	600	2	11,796	3000700
150 KMA 200 YD 90°	150	200	2	9,225	3000701
150 KMA 300 YD 90°	150	300	2	10,226	3000702
150 KMA 400 YD 90°	150	400	2	11,228	3000703
150 KMA 500 YD 90°	150	500	2	12,230	3000704
150 KMA 600 YD 90°	150	600	2	13,232	3000705

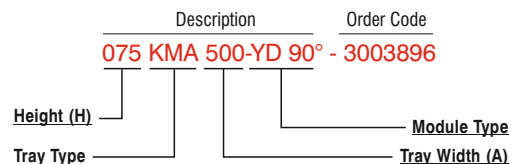
YD 90°



H=040, H=050, H=060 single row perforated.
 H=075 two row perforated.
 H=100 three rows perforated.
 H=125 four rows perforated
 H=150 five rows perforated.

Sample Order:

Height (H): 75 mm,
 Tray Width (A,B): 500 mm,
 Sheet Metal Thickness (T): 2 mm,
 Type of Coating (S): Hot Dip Galvanized,
 Module Type: Horizontal Elbow Module.



- Please indicate order code in your orders.
- Please contact us for special size.
- Material weights may vary by ± 10%

►► **KMA HORIZONTAL ELBOW MODULE COVER (90°) R=117**
Hot Dip Galvanized After Fabrication (TS EN ISO 1461)

Description	AB (mm)	T (mm)	Weight (kg/pc)	Order Code
KMA 100 YD COVER 90°	105	2	1,172	3005682
KMA 200 YD COVER 90°	205	2	2,487	3005678
KMA 300 YD COVER 90°	305	2	4,154	3005674
KMA 400 YD COVER 90°	405	2	6,167	3005672
KMA 500 YD COVER 90°	505	2	8,527	3005670
KMA 600 YD COVER 90°	605	2	11,235	3005668

►► **KMA HORIZONTAL ELBOW MODULE COVER (90°) R=450**
Hot Dip Galvanized After Fabrication (TS EN ISO 1461)

Description	A (mm)	T (mm)	Weight (kg/pc)	Order Code
KMA 100 YD 90° COVER	105	2	0,970	3005041
KMA 200 YD 90° COVER	205	2	2,083	3005043
KMA 300 YD 90° COVER	305	2	3,481	3005045
KMA 400 YD 90° COVER	405	2	5,165	3005046
KMA 500 YD 90° COVER	505	2	7,136	3005047
KMA 600 YD 90° COVER	605	2	9,392	3005048

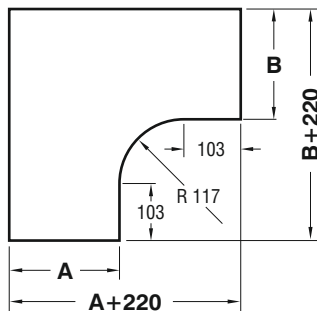
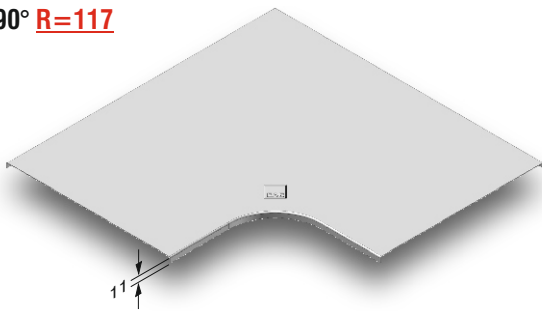
►► **KMA HORIZONTAL ELBOW MODULE COVER (90°) R=300**
Hot Dip Galvanized After Fabrication (TS EN ISO 1461)

Description	A (mm)	T (mm)	Weight (kg/pc)	Order Code
KMA 100 YD 90° COVER	105	2	0,708	3005032
KMA 200 YD 90° COVER	205	2	1,606	3005034
KMA 300 YD 90° COVER	305	2	2,789	3005036
KMA 400 YD 90° COVER	405	2	4,259	3005037
KMA 500 YD 90° COVER	505	2	6,015	3005038
KMA 600 YD 90° COVER	605	2	8,057	3005039

►► **KMA HORIZONTAL ELBOW MODULE COVER (90°) R=600**
Hot Dip Galvanized After Fabrication (TS EN ISO 1461)

Description	A (mm)	T (mm)	Weight (kg/pc)	Order Code
KMA 100 YD 90° COVER	105	2	1,233	3005050
KMA 200 YD 90° COVER	205	2	2,560	3005052
KMA 300 YD 90° COVER	305	2	4,173	3005054
KMA 400 YD 90° COVER	405	2	6,072	3005055
KMA 500 YD 90° COVER	505	2	8,257	3005056
KMA 600 YD 90° COVER	605	2	10,729	3005057

YD 90° R=117



YD 90° R=300 / R=450 / R=600



Sample Order:

Description	Order Code
KMA 600 YD 90° COVER	3005048

Tray Type ————
Tray Width (A) ————
Module Type ————

■ Please indicate order code in your orders.

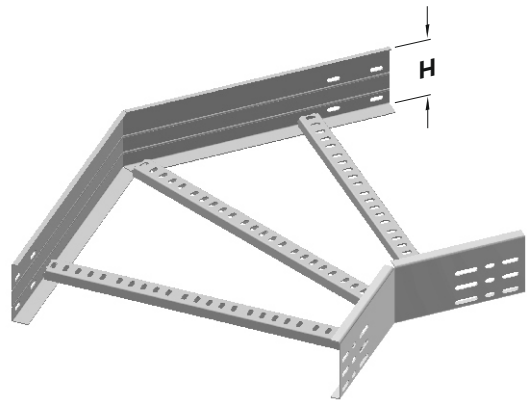
■ Material weights may vary by ± 10%

■ Please contact us for special size.

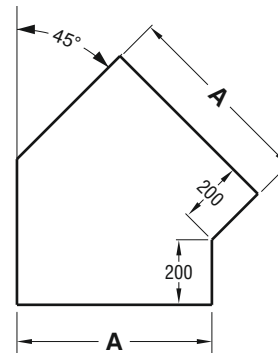
►► KMA HORIZONTAL ELBOW MODULE (45°)

Hot Dip Galvanized After Fabrication (TS EN ISO 1461)

Description	H (mm)	A (mm)	T (mm)	Weight (kg/pc)	Order Code
040 KMA 100 YD 45°	40	100	2	1,085	3001879
040 KMA 200 YD 45°	40	200	2	1,451	3001880
040 KMA 300 YD 45°	40	300	2	1,812	3001881
040 KMA 400 YD 45°	40	400	2	2,164	3001882
040 KMA 500 YD 45°	40	500	2	2,529	3001883
040 KMA 600 YD 45°	40	600	2	2,888	3001884
050 KMA 100 YD 45°	50	100	2	1,238	3001885
050 KMA 200 YD 45°	50	200	2	1,618	3001886
050 KMA 300 YD 45°	50	300	2	1,995	3001887
050 KMA 400 YD 45°	50	400	2	2,372	3001888
050 KMA 500 YD 45°	50	500	2	2,743	3001889
050 KMA 600 YD 45°	50	600	2	3,130	3001890
060 KMA 100 YD 45°	60	100	2	1,388	3001891
060 KMA 200 YD 45°	60	200	2	1,783	3001892
060 KMA 300 YD 45°	60	300	2	2,174	3001893
060 KMA 400 YD 45°	60	400	2	2,565	3001894
060 KMA 500 YD 45°	60	500	2	2,960	3001895
060 KMA 600 YD 45°	60	600	2	3,351	3001896
075 KMA 100 YD 45°	75	100	2	1,594	3001897
075 KMA 200 YD 45°	75	200	2	2,010	3001898
075 KMA 300 YD 45°	75	300	2	2,423	3001899
075 KMA 400 YD 45°	75	400	2	2,836	3001900
075 KMA 500 YD 45°	75	500	2	3,252	3001901
075 KMA 600 YD 45°	75	600	2	3,664	3001902
100 KMA 200 YD 45°	100	200	2	2,404	3001903
100 KMA 300 YD 45°	100	300	2	2,851	3001904
100 KMA 400 YD 45°	100	400	2	3,300	3001905
100 KMA 500 YD 45°	100	500	2	3,752	3001906
100 KMA 600 YD 45°	100	600	2	4,576	3001907
125 KMA 200 YD 45°	125	200	2	2,795	3002433
125 KMA 300 YD 45°	125	300	2	3,142	3002434
125 KMA 400 YD 45°	125	400	2	3,446	3002435
125 KMA 500 YD 45°	125	500	2	3,780	3002436
125 KMA 600 YD 45°	125	600	2	4,114	3002437
150 KMA 200 YD 45°	150	200	2	3,205	3002438
150 KMA 300 YD 45°	150	300	2	3,588	3002439
150 KMA 400 YD 45°	150	400	2	3,926	3002440
150 KMA 500 YD 45°	150	500	2	4,296	3002441
150 KMA 600 YD 45°	150	600	2	4,664	3002442



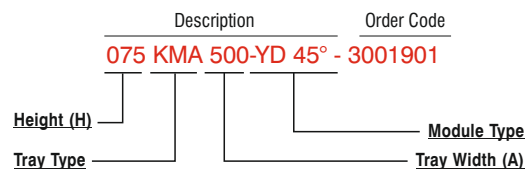
YD



H=040, H=050, H=060 single row perforated.
 H=075 two row perforated.
 H=100 three rows perforated.
 H=125 four rows perforated
 H=150 five rows perforated.

Sample Order:

Height (H): 75 mm,
 Tray Width (A): 500 mm,
 Sheet Metal Thickness (T): 2 mm,
 Type of Coating (S): Hot Dip Galvanized,
 Module Type: Horizontal Elbow Module.

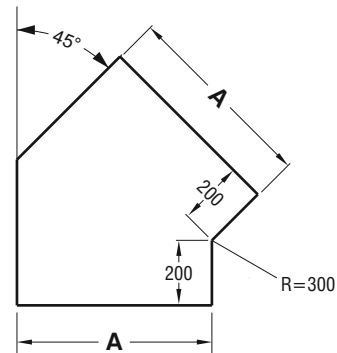
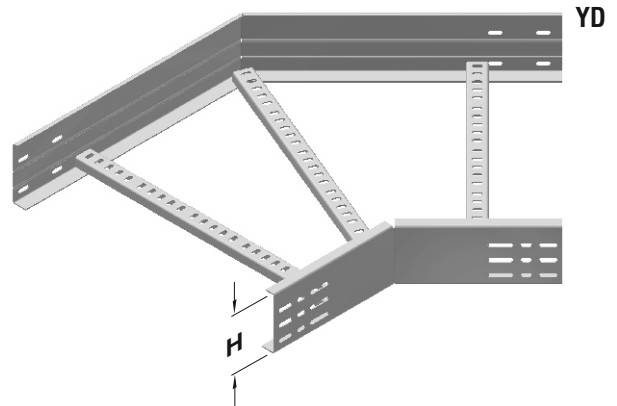


- Please indicate order code in your orders.
- Please contact us for special size.
- Material weights may vary by ± 10%

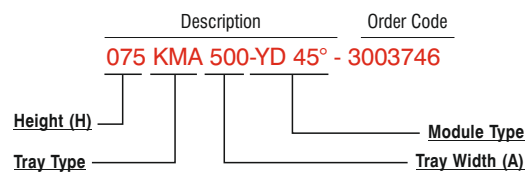
►► KMA HORIZONTAL ELBOW MODULE (45°) R=300

Hot Dip Galvanized After Fabrication (TS EN ISO 1461)

Description	H (mm)	A (mm)	T (mm)	Weight (kg/pc)	Order Code
040 KMA 100 YD 45°	40	100	2	1,063	3003724
040 KMA 200 YD 45°	40	200	2	1,334	3003725
040 KMA 300 YD 45°	40	300	2	1,606	3003726
040 KMA 400 YD 45°	40	400	2	1,878	3003727
040 KMA 500 YD 45°	40	500	2	2,149	3003728
040 KMA 600 YD 45°	40	600	2	2,421	3003729
050 KMA 100 YD 45°	50	100	2	1,191	3003730
050 KMA 200 YD 45°	50	200	2	1,474	3003731
050 KMA 300 YD 45°	50	300	2	1,757	3003732
050 KMA 400 YD 45°	50	400	2	2,039	3003733
050 KMA 500 YD 45°	50	500	2	2,322	3003734
050 KMA 600 YD 45°	50	600	2	2,604	3003735
060 KMA 100 YD 45°	60	100	2	1,321	3003736
060 KMA 200 YD 45°	60	200	2	1,614	3003737
060 KMA 300 YD 45°	60	300	2	1,907	3003738
060 KMA 400 YD 45°	60	400	2	2,200	3003739
060 KMA 500 YD 45°	60	500	2	2,494	3003740
060 KMA 600 YD 45°	60	600	2	2,787	3003741
075 KMA 100 YD 45°	75	100	2	1,492	3003742
075 KMA 200 YD 45°	75	200	2	1,801	3003743
075 KMA 300 YD 45°	75	300	2	2,111	3003744
075 KMA 400 YD 45°	75	400	2	2,420	3003745
075 KMA 500 YD 45°	75	500	2	2,729	3003746
075 KMA 600 YD 45°	75	600	2	3,038	3003747
100 KMA 200 YD 45°	100	200	2	2,129	3003749
100 KMA 300 YD 45°	100	300	2	2,464	3003750
100 KMA 400 YD 45°	100	400	2	2,801	3003751
100 KMA 500 YD 45°	100	500	2	3,136	3003752
100 KMA 600 YD 45°	100	600	2	3,473	3003753
125 KMA 200 YD 45°	125	200	2	2,455	3000646
125 KMA 300 YD 45°	125	300	2	2,817	3000647
125 KMA 400 YD 45°	125	400	2	3,180	3000648
125 KMA 500 YD 45°	125	500	2	3,540	3000649
125 KMA 600 YD 45°	125	600	2	3,906	3000650
150 KMA 200 YD 45°	150	200	2	2,782	3000651
150 KMA 300 YD 45°	150	300	2	3,171	3000652
150 KMA 400 YD 45°	150	400	2	3,561	3000653
150 KMA 500 YD 45°	150	500	2	3,951	3000654
150 KMA 600 YD 45°	150	600	2	4,341	3000655



Sample Order:
 Height (H): 75 mm,
 Tray Width (A): 500 mm,
 Sheet Metal Thickness (T): 2 mm,
 Type of Coating (S): Hot Dip Galvanized,
 Module Type: Horizontal Elbow Module 45°.

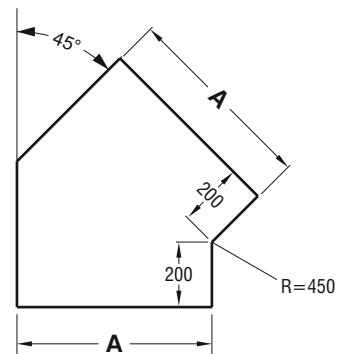
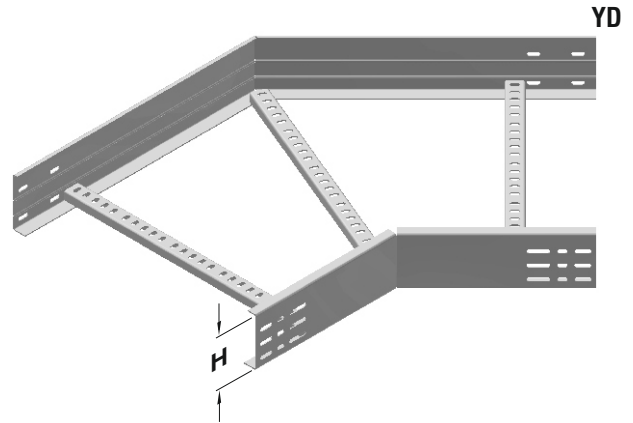


- Please indicate order code in your orders.
- Please contact us for special size.
- Material weights may vary by ± 10%

►► KMA HORIZONTAL ELBOW MODULE (45°) R=450

Hot Dip Galvanized After Fabrication (TS EN ISO 1461)

Description	H (mm)	A (mm)	T (mm)	Weight (kg/pc)	Order Code
040 KMA 100 YD 45°	40	100	2	1,397	3003754
040 KMA 200 YD 45°	40	200	2	1,752	3003755
040 KMA 300 YD 45°	40	300	2	2,123	3003756
040 KMA 400 YD 45°	40	400	2	2,493	3003757
040 KMA 500 YD 45°	40	500	2	2,881	3003758
040 KMA 600 YD 45°	40	600	2	3,233	3003759
050 KMA 100 YD 45°	50	100	2	1,559	3003760
050 KMA 200 YD 45°	50	200	2	1,924	3003761
050 KMA 300 YD 45°	50	300	2	2,306	3003762
050 KMA 400 YD 45°	50	400	2	2,686	3003763
050 KMA 500 YD 45°	50	500	2	3,084	3003764
050 KMA 600 YD 45°	50	600	2	3,447	3003765
060 KMA 100 YD 45°	60	100	2	1,719	3003766
060 KMA 200 YD 45°	60	200	2	2,097	3003767
060 KMA 300 YD 45°	60	300	2	2,488	3003768
060 KMA 400 YD 45°	60	400	2	2,880	3003769
060 KMA 500 YD 45°	60	500	2	3,289	3003770
060 KMA 600 YD 45°	60	600	2	3,663	3003771
075 KMA 100 YD 45°	75	100	2	1,938	3003772
075 KMA 200 YD 45°	75	200	2	2,332	3003773
075 KMA 300 YD 45°	75	300	2	2,739	3003774
075 KMA 400 YD 45°	75	400	2	3,147	3003775
075 KMA 500 YD 45°	75	500	2	3,573	3003776
075 KMA 600 YD 45°	75	600	2	3,962	3003777
100 KMA 200 YD 45°	100	200	2	2,739	3003779
100 KMA 300 YD 45°	100	300	2	3,174	3003780
100 KMA 400 YD 45°	100	400	2	3,609	3003781
100 KMA 500 YD 45°	100	500	2	4,060	3003782
100 KMA 600 YD 45°	100	600	2	4,477	3003783
125 KMA 200 YD 45°	125	200	2	3,146	3000656
125 KMA 300 YD 45°	125	300	2	3,608	3000657
125 KMA 400 YD 45°	125	400	2	4,069	3000658
125 KMA 500 YD 45°	125	500	2	4,547	3000659
125 KMA 600 YD 45°	125	600	2	4,992	3000660
150 KMA 200 YD 45°	150	200	2	3,553	3000661
150 KMA 300 YD 45°	150	300	2	4,041	3000662
150 KMA 400 YD 45°	150	400	2	4,531	3000663
150 KMA 500 YD 45°	150	500	2	5,036	3000664
150 KMA 600 YD 45°	150	600	2	5,507	3000665



Sample Order:

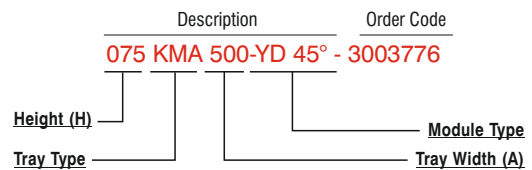
Height (H): 75 mm,

Tray Width (A): 500 mm,

Sheet Metal Thickness (T): 2 mm,

Type of Coating (S): Hot Dip Galvanized,

Module Type: Horizontal Elbow Module 45°.



■ Please indicate order code in your orders.

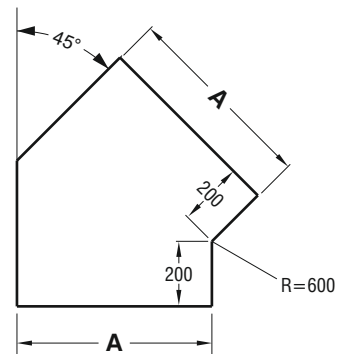
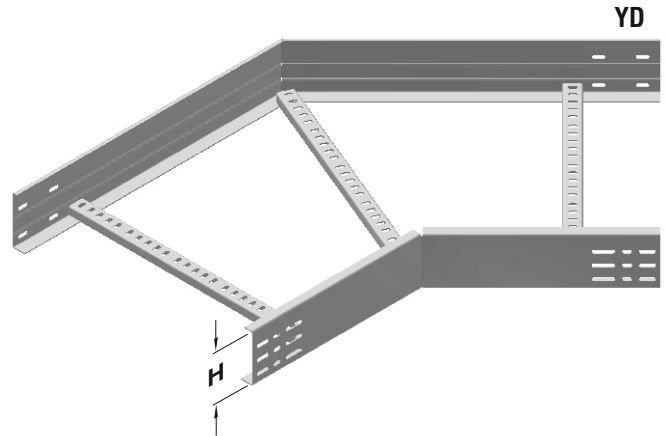
■ Please contact us for special size.

■ Material weights may vary by ± 10%

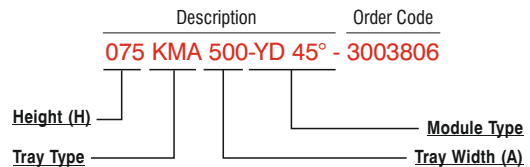
►► KMA HORIZONTAL ELBOW MODULE (45°) R=600

Hot Dip Galvanized After Fabrication (TS EN ISO 1461)

Description	H (mm)	A (mm)	T (mm)	Weight (kg/pc)	Order Code
040 KMA 100 YD 45°	40	100	2	1,625	3003784
040 KMA 200 YD 45°	40	200	2	1,980	3003785
040 KMA 300 YD 45°	40	300	2	2,351	3003786
040 KMA 400 YD 45°	40	400	2	2,721	3003787
040 KMA 500 YD 45°	40	500	2	3,109	3003788
040 KMA 600 YD 45°	40	600	2	3,461	3003789
050 KMA 100 YD 45°	50	100	2	1,818	3003790
050 KMA 200 YD 45°	50	200	2	2,185	3003791
050 KMA 300 YD 45°	50	300	2	2,565	3003792
050 KMA 400 YD 45°	50	400	2	2,947	3003793
050 KMA 500 YD 45°	50	500	2	3,345	3003794
050 KMA 600 YD 45°	50	600	2	3,708	3003795
060 KMA 100 YD 45°	60	100	2	2,012	3003796
060 KMA 200 YD 45°	60	200	2	2,389	3003797
060 KMA 300 YD 45°	60	300	2	2,781	3003798
060 KMA 400 YD 45°	60	400	2	3,172	3003799
060 KMA 500 YD 45°	60	500	2	3,582	3003800
060 KMA 600 YD 45°	60	600	2	3,956	3003801
075 KMA 100 YD 45°	75	100	2	2,279	3003802
075 KMA 200 YD 45°	75	200	2	2,672	3003803
075 KMA 300 YD 45°	75	300	2	3,080	3003804
075 KMA 400 YD 45°	75	400	2	3,488	3003805
075 KMA 500 YD 45°	75	500	2	3,913	3003806
075 KMA 600 YD 45°	75	600	2	4,303	3003807
100 KMA 200 YD 45°	100	200	2	3,160	3003809
100 KMA 300 YD 45°	100	300	2	3,595	3003810
100 KMA 400 YD 45°	100	400	2	4,030	3003811
100 KMA 500 YD 45°	100	500	2	4,481	3003812
100 KMA 600 YD 45°	100	600	2	4,898	3003813
125 KMA 200 YD 45°	125	200	2	3,648	3000666
125 KMA 300 YD 45°	125	300	2	4,110	3000667
125 KMA 400 YD 45°	125	400	2	4,572	3000668
125 KMA 500 YD 45°	125	500	2	5,049	3000669
125 KMA 600 YD 45°	125	600	2	5,493	3000670
150 KMA 200 YD 45°	150	200	2	4,136	3000671
150 KMA 300 YD 45°	150	300	2	4,623	3000672
150 KMA 400 YD 45°	150	400	2	5,113	3000673
150 KMA 500 YD 45°	150	500	2	5,618	3000674
150 KMA 600 YD 45°	150	600	2	6,089	3000675



Sample Order:
 Height (H): 75 mm,
 Tray Width (A): 500 mm,
 Sheet Metal Thickness (T): 2 mm,
 Type of Coating (S): Hot Dip Galvanized,
 Module Type: Horizontal Elbow Module 45°.



- Please indicate order code in your orders.
- Please contact us for special size.
- Material weights may vary by ± 10%

▶▶ **KMA HORIZONTAL ELBOW MODULE COVER (45°) R=117**
Hot Dip Galvanized After Fabrication (TS EN ISO 1461)

Description	A (mm)	T (mm)	Weight (kg./pc.)	Order Code
KMA 100 YD COVER 45°	105	2	0,908	3001936
KMA 200 YD COVER 45°	205	2	1,662	3001938
KMA 300 YD COVER 45°	305	2	2,627	3001940
KMA 400 YD COVER 45°	405	2	3,723	3001941
KMA 500 YD COVER 45°	505	2	4,949	3001942
KMA 600 YD COVER 45°	605	2	6,305	3001943

▶▶ **KMA HORIZONTAL ELBOW MODULE COVER (45°) R=450**
Hot Dip Galvanized After Fabrication (TS EN ISO 1461)

Description	A (mm)	T (mm)	Weight (kg./pc.)	Order Code
KMA 100 YD 45° COVER	105	2	0,879	3005014
KMA 200 YD 45° COVER	205	2	1,757	3005016
KMA 300 YD 45° COVER	305	2	2,778	3005018
KMA 400 YD 45° COVER	405	2	3,942	3005019
KMA 500 YD 45° COVER	505	2	5,249	3005020
KMA 600 YD 45° COVER	605	2	6,700	3005021

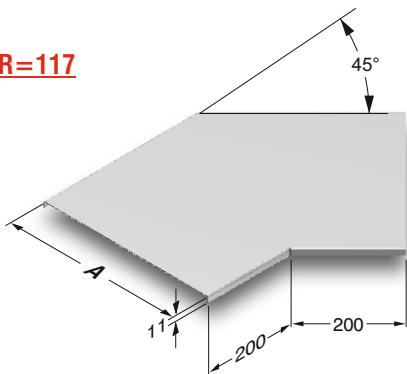
▶▶ **KMA HORIZONTAL ELBOW MODULE COVER (45°) R=300**
Hot Dip Galvanized After Fabrication (TS EN ISO 1461)

Description	A (mm)	T (mm)	Weight (kg./pc.)	Order Code
KMA 100 YD 45° COVER	105	2	0,623	3005005
KMA 200 YD 45° COVER	205	2	1,279	3005007
KMA 300 YD 45° COVER	305	2	2,086	3005009
KMA 400 YD 45° COVER	405	2	3,036	3005010
KMA 500 YD 45° COVER	505	2	4,128	3005011
KMA 600 YD 45° COVER	605	2	5,364	3005012

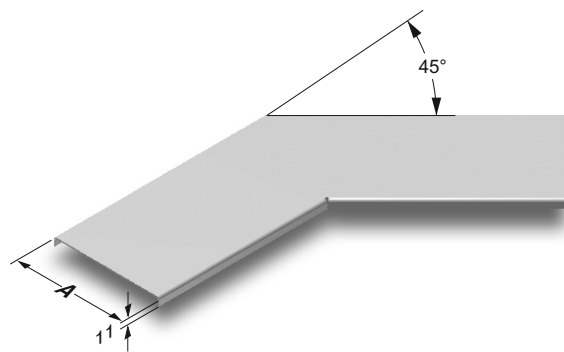
▶▶ **KMA HORIZONTAL ELBOW MODULE COVER (45°) R=600**
Hot Dip Galvanized After Fabrication (TS EN ISO 1461)

Description	A (mm)	T (mm)	Weight (kg./pc.)	Order Code
KMA 100 YD 45° COVER	105	2	1,142	3005023
KMA 200 YD 45° COVER	205	2	2,234	3005025
KMA 300 YD 45° COVER	305	2	3,469	3005027
KMA 400 YD 45° COVER	405	2	4,849	3005028
KMA 500 YD 45° COVER	505	2	6,370	3005029
KMA 600 YD 45° COVER	605	2	8,035	3005030

YD 45° R=117



YD 45° R=300 / R=450 / R=600



Sample Order:

Description	Order Code
KMA 300 YD COVER 45°	3001940

Tray Type ————
Tray Width (A) ————
Module Type ————

■ Please indicate order code in your orders.

■ Material weights may vary by ± 10%

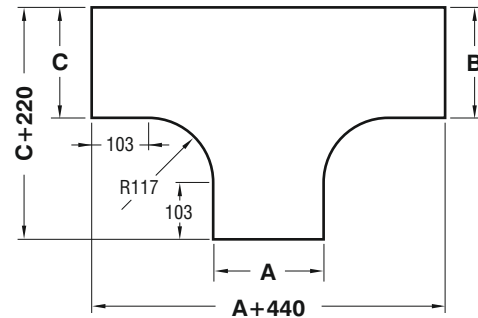
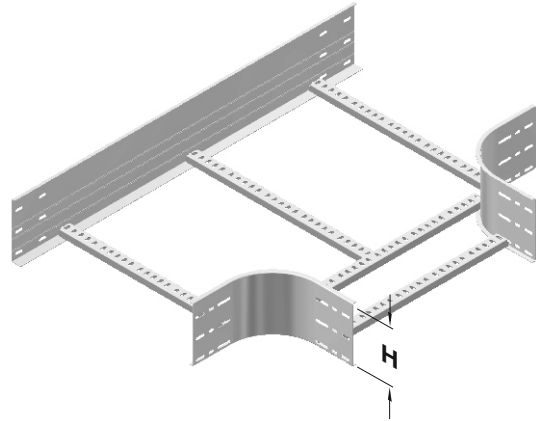
■ Please contact us for special size.

►► KMA "T" MODULE **R=117**

Hot Dip Galvanized After Fabrication (TS EN ISO 1461)

Description	H (mm)	ABC (mm)	T (mm)	Weight (kg/pc)	Order Code
040 KMA 100 YT	40	100	2	1,534	3001614
040 KMA 200 YT	40	200	2	2,024	3001615
040 KMA 300 YT	40	300	2	2,509	3001616
040 KMA 400 YT	40	400	2	3,358	3001617
040 KMA 500 YT	40	500	2	4,402	3001618
040 KMA 600 YT	40	600	2	5,074	3001619
050 KMA 100 YT	50	100	2	1,694	3001620
050 KMA 200 YT	50	200	2	2,200	3001621
050 KMA 300 YT	50	300	2	2,702	3001622
050 KMA 400 YT	50	400	2	3,569	3001623
050 KMA 500 YT	50	500	2	4,631	3001624
050 KMA 600 YT	50	600	2	5,319	3001625
060 KMA 100 YT	60	100	2	1,853	3001626
060 KMA 200 YT	60	200	2	2,377	3001627
060 KMA 300 YT	60	300	2	2,896	3001628
060 KMA 400 YT	60	400	2	3,780	3001629
060 KMA 500 YT	60	500	2	4,858	3001630
060 KMA 600 YT	60	600	2	5,565	3001631
075 KMA 100 YT	75	100	2	2,060	3001632
075 KMA 200 YT	75	200	2	2,610	3001633
075 KMA 300 YT	75	300	2	3,156	3001634
075 KMA 400 YT	75	400	2	4,065	3001635
075 KMA 500 YT	75	500	2	5,170	3001636
075 KMA 600 YT	75	600	2	5,902	3001637
100 KMA 200 YT	100	200	2	3,020	3001638
100 KMA 300 YT	100	300	2	3,609	3001639
100 KMA 400 YT	100	400	2	4,563	3001640
100 KMA 500 YT	100	500	2	5,710	3001641
100 KMA 600 YT	100	600	2	6,484	3001642
125 KMA 200 YT	125	200	2	4,092	3002453
125 KMA 300 YT	125	300	2	4,865	3002454
125 KMA 400 YT	125	400	2	5,457	3002455
125 KMA 500 YT	125	500	2	6,499	3002456
125 KMA 600 YT	125	600	2	7,742	3002457
150 KMA 200 YT	150	200	2	4,692	3002458
150 KMA 300 YT	150	300	2	5,505	3002459
150 KMA 400 YT	150	400	2	6,139	3002460
150 KMA 500 YT	150	500	2	7,205	3002461
150 KMA 600 YT	150	600	2	8,489	3002462

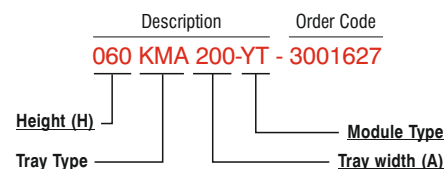
YT



H=040, H=050, H=060 single row perforated.
 H=075 two row perforated.
 H=100 three rows perforated.
 H=125 four rows perforated
 H=150 five rows perforated

Sample Order:

Height (H): 60 mm,
 Tray Width (A,B,C): 200 mm,
 Sheet Metal Thickness (T): 2 mm,
 Type of Coating (S): Hot Dip Galvanized,
 Module Type: "T" Module.



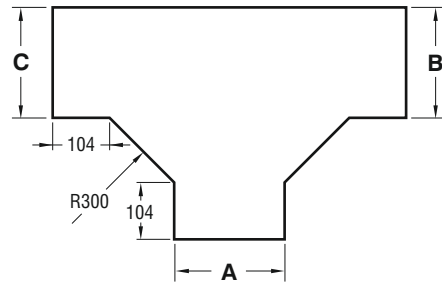
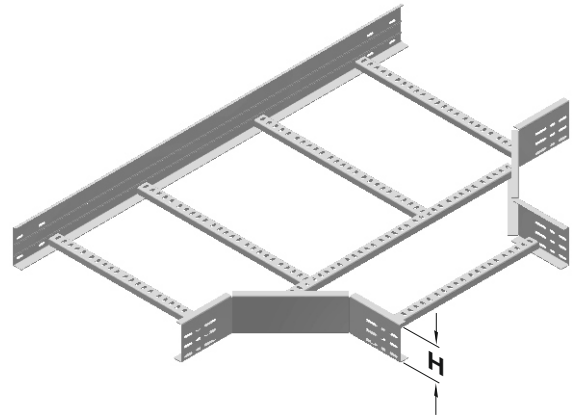
- Please indicate order code in your orders.
- Please contact us for special size.
- Material weights may vary by ± 10%

►► KMA "T" MODULE **R=300**

Hot Dip Galvanized After Fabrication (TS EN ISO 1461)

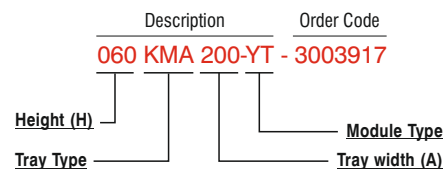
Description	H (mm)	ABC (mm)	T (mm)	Weight (kg/pc)	Order Code
040 KMA 100 YT	40	100	2	3,281	3003904
040 KMA 200 YT	40	200	2	3,876	3003905
040 KMA 300 YT	40	300	2	4,742	3003906
040 KMA 400 YT	40	400	2	5,429	3003907
040 KMA 500 YT	40	500	2	6,115	3003908
040 KMA 600 YT	40	600	2	6,801	3003909
050 KMA 100 YT	50	100	2	3,680	3003910
050 KMA 200 YT	50	200	2	4,292	3003911
050 KMA 300 YT	50	300	2	5,176	3003912
050 KMA 400 YT	50	400	2	5,880	3003913
050 KMA 500 YT	50	500	2	6,582	3003914
050 KMA 600 YT	50	600	2	7,286	3003915
060 KMA 100 YT	60	100	2	4,079	3003916
060 KMA 200 YT	60	200	2	4,708	3003917
060 KMA 300 YT	60	300	2	5,609	3003918
060 KMA 400 YT	60	400	2	6,329	3003919
060 KMA 500 YT	60	500	2	7,051	3003920
060 KMA 600 YT	60	600	2	7,772	3003921
075 KMA 100 YT	75	100	2	4,718	3003922
075 KMA 200 YT	75	200	2	5,465	3003923
075 KMA 300 YT	75	300	2	6,212	3003924
075 KMA 400 YT	75	400	2	6,958	3003925
075 KMA 500 YT	75	500	2	7,704	3003926
075 KMA 600 YT	75	600	2	8,451	3003927
100 KMA 200 YT	100	200	2	6,278	3003929
100 KMA 300 YT	100	300	2	7,248	3003930
100 KMA 400 YT	100	400	2	8,038	3003931
100 KMA 500 YT	100	500	2	8,591	3003932
100 KMA 600 YT	100	600	2	9,257	3003933
125 KMA 200 YT	125	200	2	7,484	3000706
125 KMA 300 YT	125	300	2	8,318	3000707
125 KMA 400 YT	125	400	2	9,151	3000708
125 KMA 500 YT	125	500	2	9,984	3000709
125 KMA 600 YT	125	600	2	10,817	3000710
150 KMA 200 YT	150	200	2	8,441	3000711
150 KMA 300 YT	150	300	2	9,318	3000712
150 KMA 400 YT	150	400	2	10,194	3000713
150 KMA 500 YT	150	500	2	11,070	3000714
150 KMA 600 YT	150	600	2	11,375	3000715

YT



H=040, H=050, H=060 single row perforated.
 H=075 two row perforated.
 H=100 three rows perforated.
 H=125 four rows perforated
 H=150 five rows perforated.

Sample Order:
 Height (H): 60 mm,
 Tray Width (A,B,C): 200 mm,
 Sheet Metal Thickness (T): 2 mm,
 Type of Coating (S): Hot Dip Galvanized,
 Module Type: "T" Module.



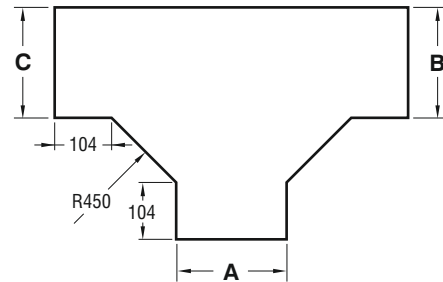
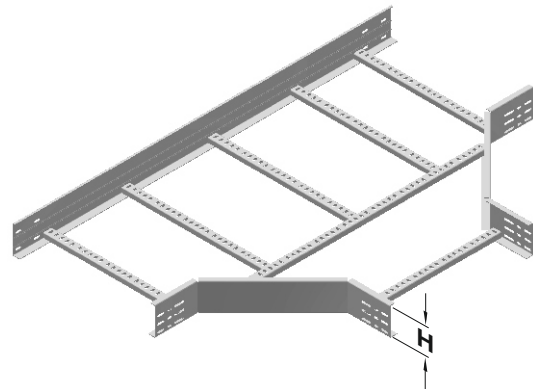
- Please indicate order code in your orders.
- Please contact us for special size.
- Material weights may vary by ± 10%

▶▶ KMA "T" MODULE **R=450**

Hot Dip Galvanized After Fabrication (TS EN ISO 1461)

Description	H (mm)	ABC (mm)	T (mm)	Weight (kg/pc)	Order Code
040 KMA 100 YT	40	100	2	4,444	3003934
040 KMA 200 YT	40	200	2	5,130	3003935
040 KMA 300 YT	40	300	2	5,816	3003936
040 KMA 400 YT	40	400	2	6,864	3003937
040 KMA 500 YT	40	500	2	7,642	3003938
040 KMA 600 YT	40	600	2	8,419	3003939
050 KMA 100 YT	50	100	2	4,980	3003940
050 KMA 200 YT	50	200	2	5,684	3003941
050 KMA 300 YT	50	300	2	6,387	3003942
050 KMA 400 YT	50	400	2	7,453	3003943
050 KMA 500 YT	50	500	2	8,247	3003944
050 KMA 600 YT	50	600	2	9,042	3003945
060 KMA 100 YT	60	100	2	5,513	3003946
060 KMA 200 YT	60	200	2	6,237	3003947
060 KMA 300 YT	60	300	2	6,958	3003948
060 KMA 400 YT	60	400	2	8,041	3003949
060 KMA 500 YT	60	500	2	8,853	3003950
060 KMA 600 YT	60	600	2	9,665	3003951
075 KMA 100 YT	75	100	2	6,273	3003952
075 KMA 200 YT	75	200	2	7,020	3003953
075 KMA 300 YT	75	300	2	7,767	3003954
075 KMA 400 YT	75	400	2	8,875	3003955
075 KMA 500 YT	75	500	2	9,713	3003956
075 KMA 600 YT	75	600	2	10,539	3003957
100 KMA 200 YT	100	200	2	8,357	3003959
100 KMA 300 YT	100	300	2	9,649	3003960
100 KMA 400 YT	100	400	2	10,299	3003961
100 KMA 500 YT	100	500	2	11,179	3003962
100 KMA 600 YT	100	600	2	12,060	3003963
125 KMA 200 YT	125	200	2	9,693	3000716
125 KMA 300 YT	125	300	2	10,526	3000717
125 KMA 400 YT	125	400	2	11,721	3000718
125 KMA 500 YT	125	500	2	12,645	3000719
125 KMA 600 YT	125	600	2	13,569	3000720
150 KMA 200 YT	150	200	2	11,029	3000721
150 KMA 300 YT	150	300	2	11,905	3000722
150 KMA 400 YT	150	400	2	13,144	3000723
150 KMA 500 YT	150	500	2	14,111	3000724
150 KMA 600 YT	150	600	2	14,748	3000725

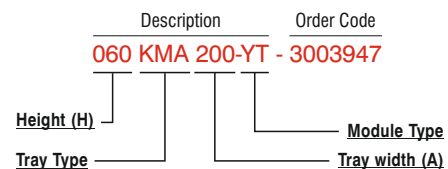
YT



H=040, H=050, H=060 single row perforated.
 H=075 two row perforated.
 H=100 three rows perforated.
 H=125 four rows perforated
 H=150 five rows perforated.

Sample Order:

Height (H): 60 mm,
 Tray Width (A,B,C): 200 mm,
 Sheet Metal Thickness (T): 2 mm,
 Type of Coating (S): Hot Dip Galvanized,
 Module Type: "T" Module.



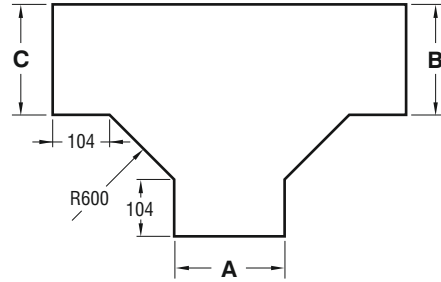
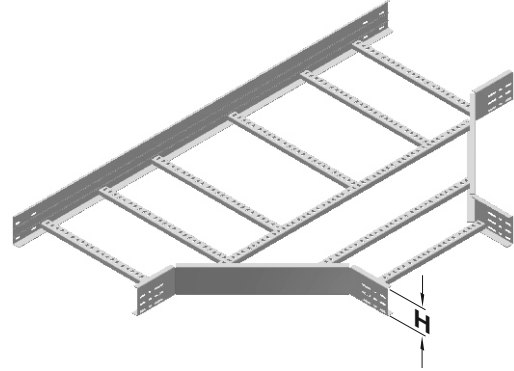
- Please indicate order code in your orders.
- Please contact us for special size.
- Material weights may vary by ± 10%

▶▶ KMA "T" MODULE **R=600**

Hot Dip Galvanized After Fabrication (TS EN ISO 1461)

Description	H (mm)	ABC (mm)	T (mm)	Weight (kg/pc)	Order Code
040 KMA 100 YT	40	100	2	5,597	3003964
040 KMA 200 YT	40	200	2	6,375	3003965
040 KMA 300 YT	40	300	2	7,151	3003966
040 KMA 400 YT	40	400	2	8,291	3003967
040 KMA 500 YT	40	500	2	9,159	3003968
040 KMA 600 YT	40	600	2	10,032	3003969
050 KMA 100 YT	50	100	2	6,271	3003970
050 KMA 200 YT	50	200	2	7,065	3003971
050 KMA 300 YT	50	300	2	7,860	3003972
050 KMA 400 YT	50	400	2	9,017	3003973
050 KMA 500 YT	50	500	2	9,902	3003974
050 KMA 600 YT	50	600	2	10,792	3003975
060 KMA 100 YT	60	100	2	6,724	3003976
060 KMA 200 YT	60	200	2	7,756	3003977
060 KMA 300 YT	60	300	2	8,568	3003978
060 KMA 400 YT	60	400	2	9,742	3003979
060 KMA 500 YT	60	500	2	10,608	3003980
060 KMA 600 YT	60	600	2	11,552	3003981
075 KMA 100 YT	75	100	2	7,908	3003982
075 KMA 200 YT	75	200	2	8,746	3003983
075 KMA 300 YT	75	300	2	9,583	3003984
075 KMA 400 YT	75	400	2	10,783	3003985
075 KMA 500 YT	75	500	2	11,712	3003986
075 KMA 600 YT	75	600	2	12,645	3003987
100 KMA 200 YT	100	200	2	10,427	3003989
100 KMA 300 YT	100	300	2	11,308	3003990
100 KMA 400 YT	100	400	2	12,551	3003991
100 KMA 500 YT	100	500	2	13,522	3003992
100 KMA 600 YT	100	600	2	14,499	3003993
125 KMA 200 YT	125	200	2	12,107	3000726
125 KMA 300 YT	125	300	2	13,031	3000727
125 KMA 400 YT	125	400	2	14,317	3000728
125 KMA 500 YT	125	500	2	15,332	3000729
125 KMA 600 YT	125	600	2	16,352	3000730
150 KMA 200 YT	150	200	2	13,787	3000731
150 KMA 300 YT	150	300	2	14,754	3000732
150 KMA 400 YT	150	400	2	16,084	3000733
150 KMA 500 YT	150	500	2	17,142	3000734
150 KMA 600 YT	150	600	2	18,205	3000735

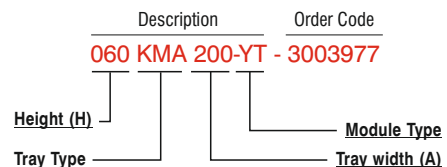
YT



H=040, H=050, H=060 single row perforated.
 H=075 two row perforated.
 H=100 three rows perforated.
 H=125 four rows perforated
 H=150 five rows perforated.

Sample Order:

Height (H): 60 mm,
 Tray Width (A,B,C): 200 mm,
 Sheet Metal Thickness (T): 2 mm,
 Type of Coating (S): Hot Dip Galvanized,
 Module Type: "T" Module.



- Please indicate order code in your orders.
- Please contact us for special size.
- Material weights may vary by ± 10%

▶▶ **KMA "T" MODULE COVER R=117**
Hot Dip Galvanized After Fabrication (TS EN ISO 1461)

Description	ABC (mm)	T (mm)	Weight (kg/pc)	Order Code
KMA 100 YT COVER	105	2	1,724	3005666
KMA 200 YT COVER	205	2	3,424	3005662
KMA 300 YT COVER	305	2	5,473	3005658
KMA 400 YT COVER	405	2	7,868	3005656
KMA 500 YT COVER	505	2	10,611	3005654
KMA 600 YT COVER	605	2	13,701	3005652

▶▶ **KMA "T" MODULE COVER R=450**
Hot Dip Galvanized After Fabrication (TS EN ISO 1461)

Description	A (mm)	T (mm)	Weight (kg/pc)	Order Code
KMA 100 YT COVER	105	2	3,031	3005068
KMA 200 YT COVER	205	2	4,947	3005070
KMA 300 YT COVER	305	2	7,208	3005072
KMA 400 YT COVER	405	2	8,935	3005073
KMA 500 YT COVER	505	2	12,768	3005074
KMA 600 YT COVER	605	2	16,066	3005075

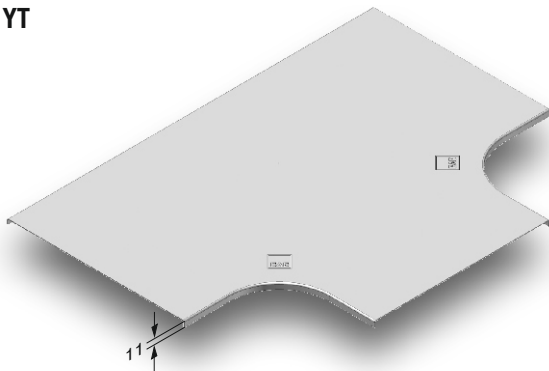
▶▶ **KMA "T" MODULE COVER R=300**
Hot Dip Galvanized After Fabrication (TS EN ISO 1461)

Description	A (mm)	T (mm)	Weight (kg/pc)	Order Code
KMA 100 YT COVER	105	2	1,823	3005059
KMA 200 YT COVER	205	2	3,284	3005061
KMA 300 YT COVER	305	2	5,090	3005063
KMA 400 YT COVER	405	2	7,241	3005064
KMA 500 YT COVER	505	2	9,738	3005065
KMA 600 YT COVER	605	2	12,581	3005066

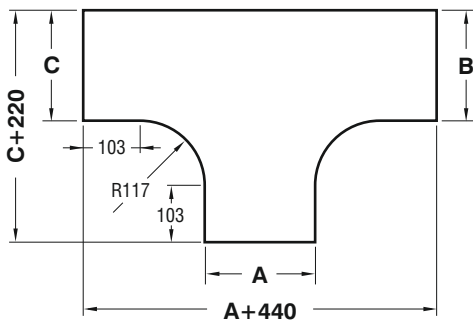
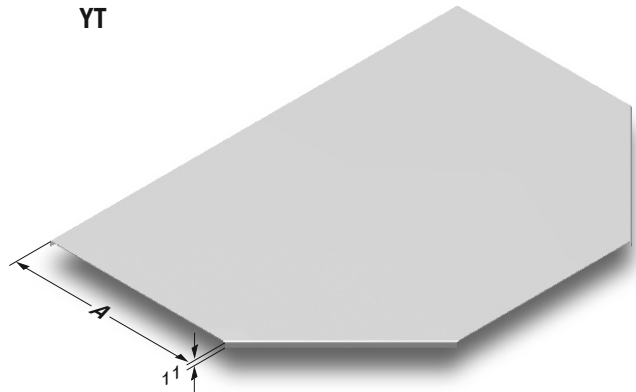
▶▶ **KMA "T" MODULE COVER R=600**
Hot Dip Galvanized After Fabrication (TS EN ISO 1461)

Description	A (mm)	T (mm)	Weight (kg/pc)	Order Code
KMA 100 YT COVER	105	2	4,506	3005077
KMA 200 YT COVER	205	2	6,877	3005079
KMA 300 YT COVER	305	2	9,594	3005081
KMA 400 YT COVER	405	2	12,657	3005082
KMA 500 YT COVER	505	2	16,064	3005083
KMA 600 YT COVER	605	2	19,818	3005084

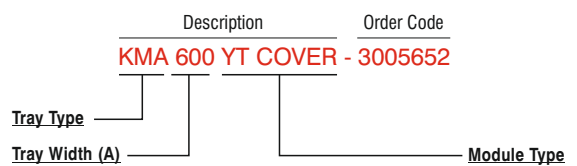
YT



YT



Sample Order:



■ Please indicate order code in your orders.

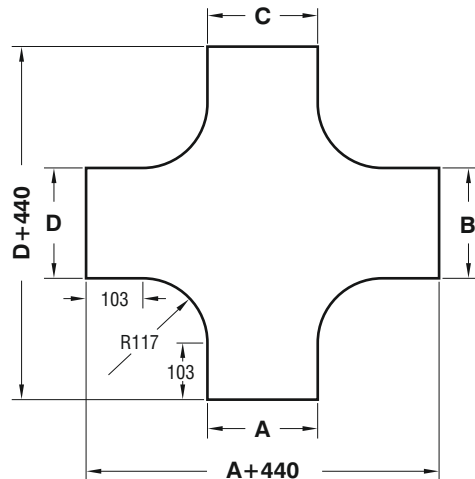
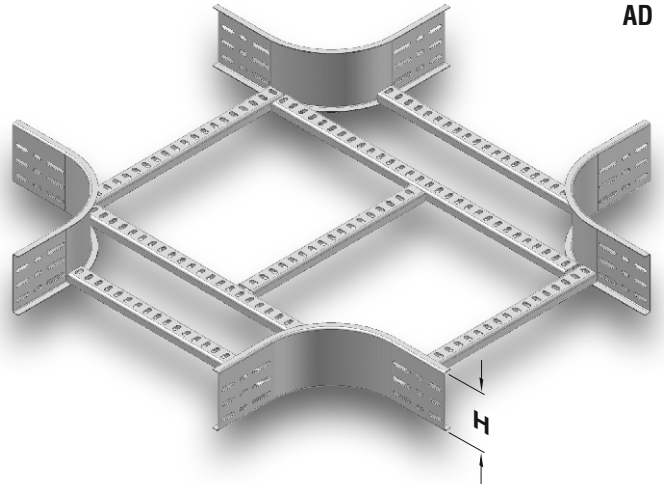
■ Material weights may vary by ± 10%

■ Please contact us for special size.

►► KMA "+" CONNECTION MODULE R=117

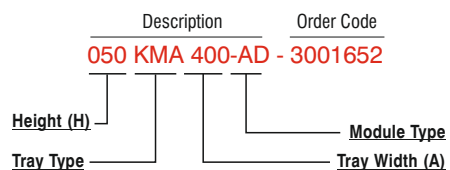
Hot Dip Galvanized After Fabrication (TS EN ISO 1461)

Description	H (mm)	ABCD (mm)	T (mm)	Weight (kg/pc)	Order Code
040 KMA 100 AD	40	100	2	1,964	3001643
040 KMA 200 AD	40	200	2	2,470	3001644
040 KMA 300 AD	40	300	2	2,895	3001645
040 KMA 400 AD	40	400	2	3,984	3001646
040 KMA 500 AD	40	500	2	4,586	3001647
040 KMA 600 AD	40	600	2	5,181	3001648
050 KMA 100 AD	50	100	2	2,204	3001649
050 KMA 200 AD	50	200	2	2,710	3001650
050 KMA 300 AD	50	300	2	3,135	3001651
050 KMA 400 AD	50	400	2	4,224	3001652
050 KMA 500 AD	50	500	2	4,826	3001653
050 KMA 600 AD	50	600	2	5,421	3001654
060 KMA 100 AD	60	100	2	2,444	3001655
060 KMA 200 AD	60	200	2	2,950	3001656
060 KMA 300 AD	60	300	2	3,375	3001657
060 KMA 400 AD	60	400	2	4,464	3001658
060 KMA 500 AD	60	500	2	5,066	3001659
060 KMA 600 AD	60	600	2	5,661	3001660
075 KMA 100 AD	75	100	2	2,752	3001661
075 KMA 200 AD	75	200	2	3,258	3001662
075 KMA 300 AD	75	300	2	3,683	3001663
075 KMA 400 AD	75	400	2	4,772	3001664
075 KMA 500 AD	75	500	2	5,374	3001665
075 KMA 600 AD	75	600	2	5,969	3001666
100 KMA 200 AD	100	200	2	3,806	3001667
100 KMA 300 AD	100	300	2	4,231	3001668
100 KMA 400 AD	100	400	2	5,320	3001669
100 KMA 500 AD	100	500	2	5,922	3001670
100 KMA 600 AD	100	600	2	6,517	3001671
125 KMA 200 AD	125	200	2	4,631	3002463
125 KMA 300 AD	125	300	2	5,565	3002464
125 KMA 400 AD	125	400	2	6,112	3002465
125 KMA 500 AD	125	500	2	7,539	3002466
125 KMA 600 AD	125	600	2	8,281	3002467
150 KMA 200 AD	150	200	2	5,301	3002468
150 KMA 300 AD	150	300	2	6,244	3002469
150 KMA 400 AD	150	400	2	6,794	3002470
150 KMA 500 AD	150	500	2	8,207	3002471
150 KMA 600 AD	150	600	2	8,954	3002472



H=040, H=050, H=060 single row perforated.
 H=075 two row perforated.
 H=100 three rows perforated.
 H=125 four rows perforated
 H=150 five rows perforated.

Sample Order:
 Height (H): 50 mm,
 Tray Width (A,B,C,D): 400 mm,
 Sheet Metal Thickness (T): 2 mm,
 Type of Coating (S): Hot Dip Galvanized,
 Module Type: "+" Connection Module.

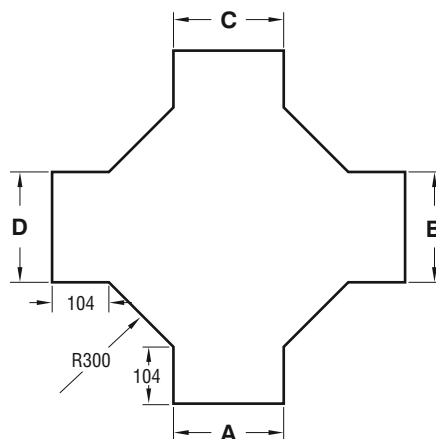
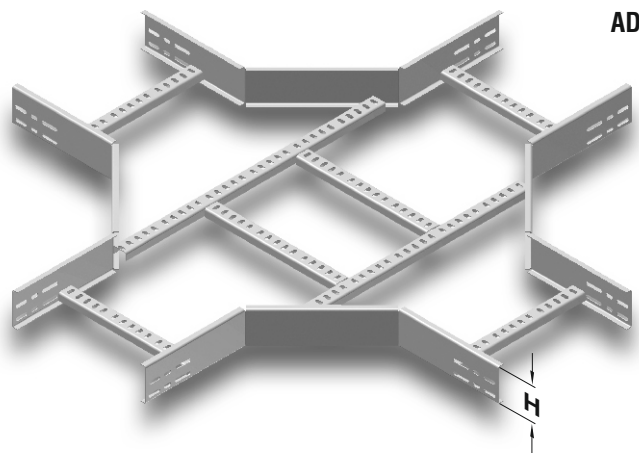


- Please indicate order code in your orders.
- Please contact us for special size.
- Material weights may vary by ± 10%

▶▶ KMA "+" CONNECTION MODULE R=300

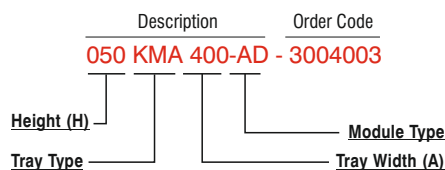
Hot Dip Galvanized After Fabrication (TS EN ISO 1461)

Description	H (mm)	ABCD (mm)	T (mm)	Weight (kg/pc)	Order Code
040 KMA 100 AD	40	100	2	3,810	3003994
040 KMA 200 AD	40	200	2	4,627	3003995
040 KMA 300 AD	40	300	2	5,355	3003996
040 KMA 400 AD	40	400	2	6,083	3003997
040 KMA 500 AD	40	500	2	6,811	3003998
040 KMA 600 AD	40	600	2	8,084	3003999
050 KMA 100 AD	50	100	2	4,294	3004000
050 KMA 200 AD	50	200	2	5,112	3004001
050 KMA 300 AD	50	300	2	5,840	3004002
050 KMA 400 AD	50	400	2	6,568	3004003
050 KMA 500 AD	50	500	2	7,295	3004004
050 KMA 600 AD	50	600	2	8,568	3004005
060 KMA 100 AD	60	100	2	4,778	3004006
060 KMA 200 AD	60	200	2	5,596	3004007
060 KMA 300 AD	60	300	2	6,324	3004008
060 KMA 400 AD	60	400	2	7,052	3004009
060 KMA 500 AD	60	500	2	7,780	3004010
060 KMA 600 AD	60	600	2	9,052	3004011
075 KMA 100 AD	75	100	2	5,437	3004012
075 KMA 200 AD	75	200	2	6,255	3004013
075 KMA 300 AD	75	300	2	6,982	3004014
075 KMA 400 AD	75	400	2	7,710	3004015
075 KMA 500 AD	75	500	2	8,438	3004016
075 KMA 600 AD	75	600	2	9,711	3004017
100 KMA 200 AD	100	200	2	7,396	3004019
100 KMA 300 AD	100	300	2	8,125	3004020
100 KMA 400 AD	100	400	2	8,853	3004021
100 KMA 500 AD	100	500	2	9,581	3004022
100 KMA 600 AD	100	600	2	10,857	3004023
125 KMA 200 AD	125	200	2	8,539	3000928
125 KMA 300 AD	125	300	2	9,269	3000929
125 KMA 400 AD	125	400	2	9,996	3000930
125 KMA 500 AD	125	500	2	10,724	3000931
125 KMA 600 AD	125	600	2	11,996	3000932
150 KMA 200 AD	150	200	2	9,771	3000933
150 KMA 300 AD	150	300	2	10,500	3000934
150 KMA 400 AD	150	400	2	11,228	3000935
150 KMA 500 AD	150	500	2	11,956	3000936
150 KMA 600 AD	150	600	2	13,229	3000937



H=040, H=050, H=060 single row perforated.
 H=075 two row perforated.
 H=100 three rows perforated.
 H=125 four rows perforated
 H=150 five rows perforated.

Sample Order:
 Height (H): 50 mm,
 Tray Width (A,B,C,D): 400 mm,
 Sheet Metal Thickness (T): 2 mm,
 Type of Coating (S): Hot Dip Galvanized,
 Module Type: "+" Connection Module.

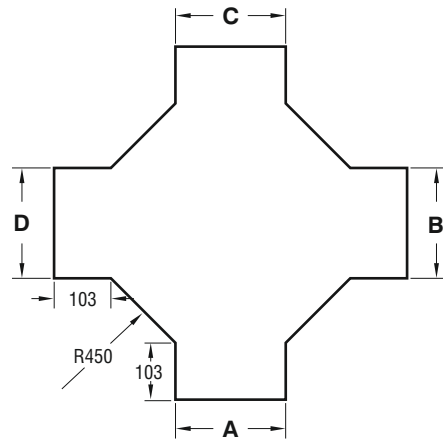
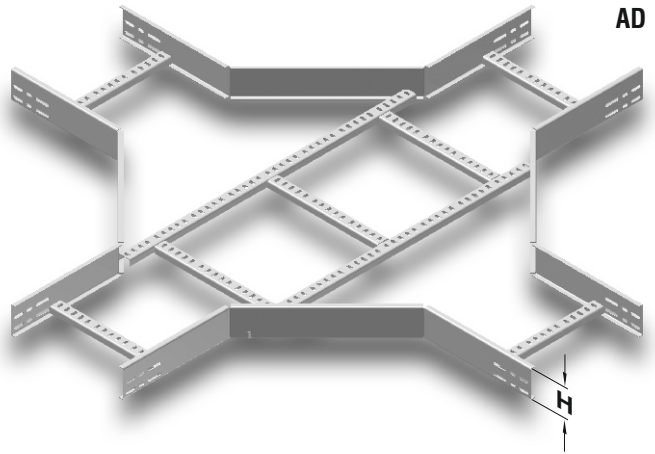


- Please indicate order code in your orders.
- Please contact us for special size.
- Material weights may vary by ± 10%

►► KMA "+" CONNECTION MODULE R=450

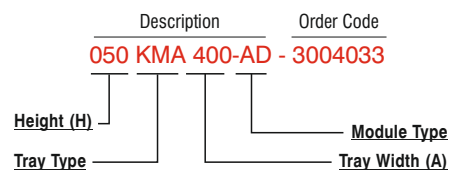
Hot Dip Galvanized After Fabrication (TS EN ISO 1461)

Description	H (mm)	ABCD (mm)	T (mm)	Weight (kg/pc)	Order Code
040 KMA 100 AD	40	100	2	5,294	3004024
040 KMA 200 AD	40	200	2	6,114	3004025
040 KMA 300 AD	40	300	2	6,932	3004026
040 KMA 400 AD	40	400	2	7,752	3004027
040 KMA 500 AD	40	500	2	8,571	3004028
040 KMA 600 AD	40	600	2	9,390	3004029
050 KMA 100 AD	50	100	2	5,950	3004030
050 KMA 200 AD	50	200	2	6,769	3004031
050 KMA 300 AD	50	300	2	7,589	3004032
050 KMA 400 AD	50	400	2	8,407	3004033
050 KMA 500 AD	50	500	2	9,227	3004034
050 KMA 600 AD	50	600	2	10,046	3004035
060 KMA 100 AD	60	100	2	6,607	3004036
060 KMA 200 AD	60	200	2	7,425	3004037
060 KMA 300 AD	60	300	2	8,245	3004038
060 KMA 400 AD	60	400	2	9,064	3004039
060 KMA 500 AD	60	500	2	9,882	3004040
060 KMA 600 AD	60	600	2	10,702	3004041
075 KMA 100 AD	75	100	2	7,522	3004042
075 KMA 200 AD	75	200	2	8,341	3004043
075 KMA 300 AD	75	300	2	9,161	3004044
075 KMA 400 AD	75	400	2	9,979	3004045
075 KMA 500 AD	75	500	2	10,799	3004046
075 KMA 600 AD	75	600	2	11,618	3004047
100 KMA 200 AD	100	200	2	9,913	3004049
100 KMA 300 AD	100	300	2	10,733	3004050
100 KMA 400 AD	100	400	2	11,551	3004051
100 KMA 500 AD	100	500	2	12,371	3004052
100 KMA 600 AD	100	600	2	13,190	3004053
125 KMA 200 AD	125	200	2	11,485	3000938
125 KMA 300 AD	125	300	2	12,305	3000939
125 KMA 400 AD	125	400	2	13,123	3000940
125 KMA 500 AD	125	500	2	13,943	3000941
125 KMA 600 AD	125	600	2	14,762	3000942
150 KMA 200 AD	150	200	2	13,057	3000943
150 KMA 300 AD	150	300	2	13,877	3000944
150 KMA 400 AD	150	400	2	14,695	3000945
150 KMA 500 AD	150	500	2	15,514	3000946
150 KMA 600 AD	150	600	2	16,334	3000947



H=040, H=050, H=060 single row perforated.
 H=075 two row perforated.
 H=100 three rows perforated.
 H=125 four rows perforated
 H=150 five rows perforated.

Sample Order:
 Height (H): 50 mm,
 Tray Width (A,B,C,D): 400 mm,
 Sheet Metal Thickness (T): 2 mm,
 Type of Coating (S): Hot Dip Galvanized,
 Module Type: "+" Connection Module.

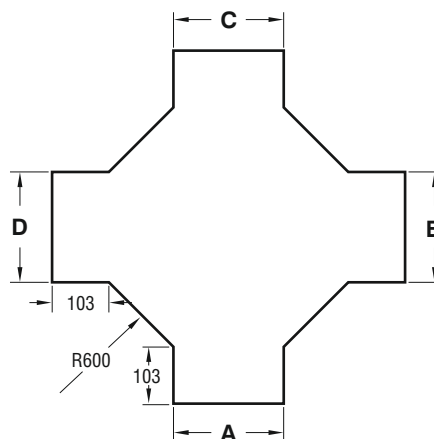
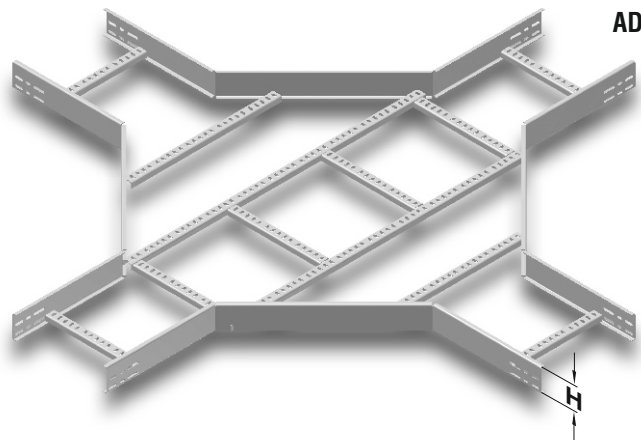


- Please indicate order code in your orders.
- Please contact us for special size.
- Material weights may vary by ± 10%

►► KMA "+" CONNECTION MODULE R=600

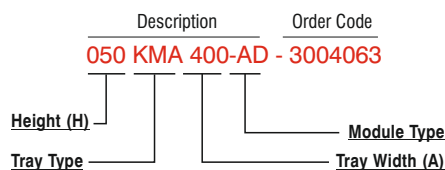
Hot Dip Galvanized After Fabrication (TS EN ISO 1461)

Description	H (mm)	ABCD (mm)	T (mm)	Weight (kg/pc)	Order Code
040 KMA 100 AD	40	100	2	7,128	3004054
040 KMA 200 AD	40	200	2	8,065	3004055
040 KMA 300 AD	40	300	2	9,103	3004056
040 KMA 400 AD	40	400	2	10,104	3004057
040 KMA 500 AD	40	500	2	11,105	3004058
040 KMA 600 AD	40	600	2	12,106	3004059
050 KMA 100 AD	50	100	2	7,955	3004060
050 KMA 200 AD	50	200	2	8,936	3004061
050 KMA 300 AD	50	300	2	9,930	3004062
050 KMA 400 AD	50	400	2	10,931	3004063
050 KMA 500 AD	50	500	2	11,933	3004064
050 KMA 600 AD	50	600	2	12,934	3004065
060 KMA 100 AD	60	100	2	8,754	3004066
060 KMA 200 AD	60	200	2	9,765	3004067
060 KMA 300 AD	60	300	2	10,758	3004068
060 KMA 400 AD	60	400	2	11,759	3004069
060 KMA 500 AD	60	500	2	12,760	3004070
060 KMA 600 AD	60	600	2	13,761	3004071
075 KMA 100 AD	75	100	2	9,956	3004072
075 KMA 200 AD	75	200	2	10,937	3004073
075 KMA 300 AD	75	300	2	11,932	3004074
075 KMA 400 AD	75	400	2	12,933	3004075
075 KMA 500 AD	75	500	2	13,934	3004076
075 KMA 600 AD	75	600	2	14,935	3004077
100 KMA 200 AD	100	200	2	12,939	3004079
100 KMA 300 AD	100	300	2	13,933	3004080
100 KMA 400 AD	100	400	2	14,934	3004081
100 KMA 500 AD	100	500	2	15,935	3004082
100 KMA 600 AD	100	600	2	16,936	3004083
125 KMA 200 AD	125	200	2	14,940	3000948
125 KMA 300 AD	125	300	2	15,934	3000949
125 KMA 400 AD	125	400	2	16,935	3000950
125 KMA 500 AD	125	500	2	17,936	3000951
125 KMA 600 AD	125	600	2	18,937	3000952
150 KMA 200 AD	150	200	2	16,941	3000953
150 KMA 300 AD	150	300	2	17,934	3000954
150 KMA 400 AD	150	400	2	18,935	3000955
150 KMA 500 AD	150	500	2	19,936	3000956
150 KMA 600 AD	150	600	2	20,939	3000957



H=040, H=050, H=060 single row perforated.
 H=075 two row perforated.
 H=100 three rows perforated.
 H=125 four rows perforated
 H=150 five rows perforated.

Sample Order:
 Height (H): 50 mm,
 Tray Width (A,B,C,D): 400 mm,
 Sheet Metal Thickness (T): 2 mm,
 Type of Coating (S): Hot Dip Galvanized,
 Module Type: "+" Connection Module.



- Please indicate order code in your orders.
- Please contact us for special size.
- Material weights may vary by ± 10%

▶▶ **KMA “+” CONNECTION MODULE COVER R=117**
Hot Dip Galvanized After Fabrication (TS EN ISO 1461)

Description	ABCD (mm)	T (mm)	Weight (kg./pc.)	Order Code
KMA 100 AD COVER	105	2	2,265	3005650
KMA 200 AD COVER	205	2	4,331	3005646
KMA 300 AD COVER	305	2	6,743	3005642
KMA 400 AD COVER	405	2	9,503	3005640
KMA 500 AD COVER	505	2	12,610	3005638
KMA 600 AD COVER	605	2	16,064	3005636

▶▶ **KMA “+” CONNECTION MODULE COVER R=450**
Hot Dip Galvanized After Fabrication (TS EN ISO 1461)

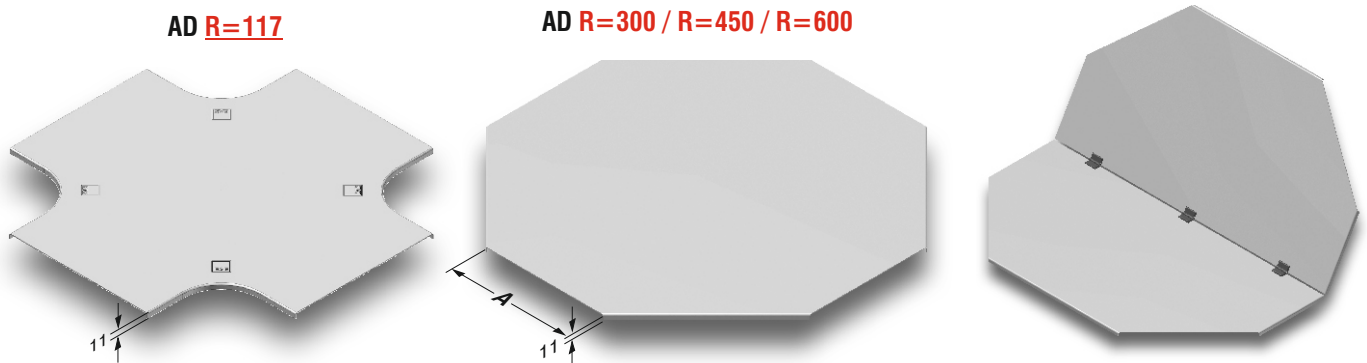
Description	A (mm)	T (mm)	Weight (kg./pc.)	Order Code
KMA 100 AD COVER	105	2	4,727	3005095
KMA 200 AD COVER	205	2	7,083	3005097
KMA 300 AD COVER	305	2	9,786	3005099
KMA 400 AD COVER	405	2	12,833	3005100
KMA 500 AD COVER	505	2	16,225	3005101
KMA 600 AD COVER	605	2	19,963	3005102

▶▶ **KMA “+” CONNECTION MODULE COVER R=300**
Hot Dip Galvanized After Fabrication (TS EN ISO 1461)

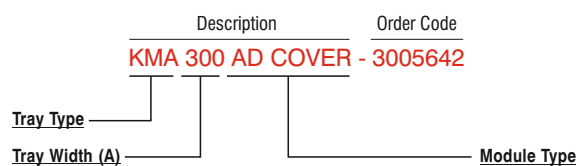
Description	A (mm)	T (mm)	Weight (kg./pc.)	Order Code
KMA 100 AD COVER	105	2	2,682	3005086
KMA 200 AD COVER	205	2	4,431	3005088
KMA 300 AD COVER	305	2	7,625	3005090
KMA 400 AD COVER	405	2	8,966	3005091
KMA 500 AD COVER	505	2	11,751	3005092
KMA 600 AD COVER	605	2	14,882	3005093

▶▶ **KMA “+” CONNECTION MODULE COVER R=600**
Hot Dip Galvanized After Fabrication (TS EN ISO 1461)

Description	A (mm)	T (mm)	Weight (kg./pc.)	Order Code
KMA 100 AD COVER	105	2	7,306	3005104
KMA 200 AD COVER	205	2	10,270	3005106
KMA 300 AD COVER	305	2	13,578	3005108
KMA 400 AD COVER	405	2	17,233	3005109
KMA 500 AD COVER	505	2	21,232	3005110
KMA 600 AD COVER	605	2	25,576	3005111



Sample Order:



■ Please indicate order code in your orders.

■ Material weights may vary by ± 10%

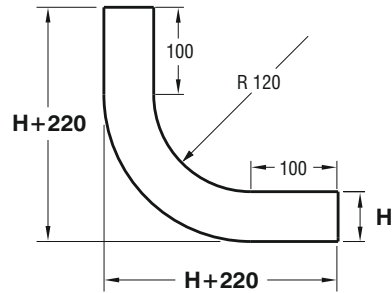
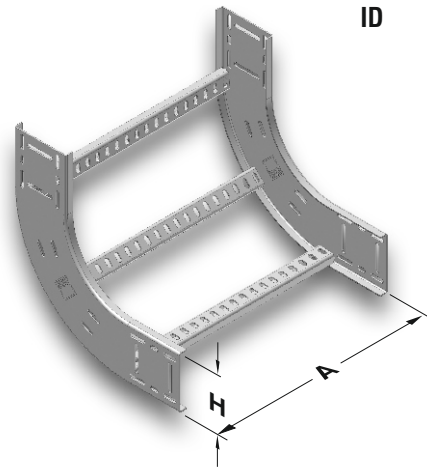
■ R=600, The lids with a Width of 500 and 600 will be supplied as two separate hinged parts.

■ Please contact us for special size.

►► KMA CONCAVE MODULE (90°) R=120

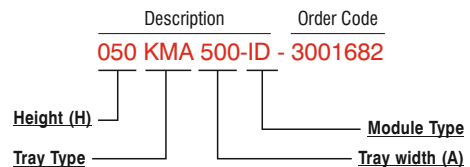
Hot Dip Galvanized After Fabrication (TS EN ISO 1461)

Description	H (mm)	A (mm)	T (mm)	Weight (kg/pc)	Order Code
040 KMA 100 ID	40	100	2	1,041	3001672
040 KMA 200 ID	40	200	2	1,324	3001673
040 KMA 300 ID	40	300	2	1,605	3001674
040 KMA 400 ID	40	400	2	1,885	3001675
040 KMA 500 ID	40	500	2	2,169	3001676
040 KMA 600 ID	40	600	2	2,450	3001677
050 KMA 100 ID	50	100	2	1,115	3001678
050 KMA 200 ID	50	200	2	1,399	3001679
050 KMA 300 ID	50	300	2	1,680	3001680
050 KMA 400 ID	50	400	2	1,960	3001681
050 KMA 500 ID	50	500	2	2,244	3001682
050 KMA 600 ID	50	600	2	2,525	3001683
060 KMA 100 ID	60	100	2	1,329	3001684
060 KMA 200 ID	60	200	2	1,613	3001685
060 KMA 300 ID	60	300	2	1,893	3001686
060 KMA 400 ID	60	400	2	2,174	3001687
060 KMA 500 ID	60	500	2	2,457	3001688
060 KMA 600 ID	60	600	2	2,738	3001689
075 KMA 100 ID	75	100	2	1,571	3001690
075 KMA 200 ID	75	200	2	1,855	3001691
075 KMA 300 ID	75	300	2	2,135	3001692
075 KMA 400 ID	75	400	2	2,416	3001693
075 KMA 500 ID	75	500	2	2,699	3001694
075 KMA 600 ID	75	600	2	2,980	3001695
100 KMA 200 ID	100	200	2	2,297	3001696
100 KMA 300 ID	100	300	2	2,577	3001697
100 KMA 400 ID	100	400	2	2,858	3001698
100 KMA 500 ID	100	500	2	3,142	3001699
100 KMA 600 ID	100	600	2	3,422	3001700



H=040, H=050, H=060 single line perforated
 H=075 double line perforated
 H=100 triple line perforated

Sample Order:
 Height (H): 50 mm,
 Tray Width (A): 500 mm,
 Sheet Metal Thickness (T): 2 mm,
 Type of Coating (S): Hot Dip Galvanized,
 Module Type: Convex Module

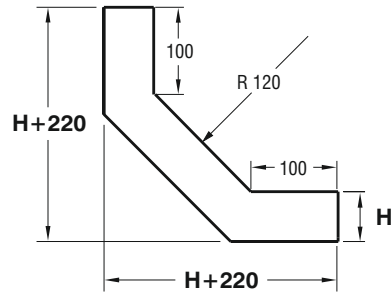
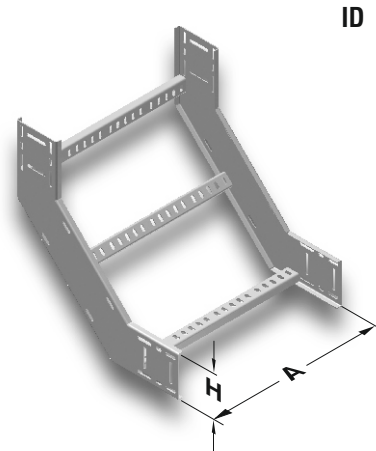


- Please indicate order code in your orders.
- Please contact us for special size.
- Material weights may vary by ± 10%



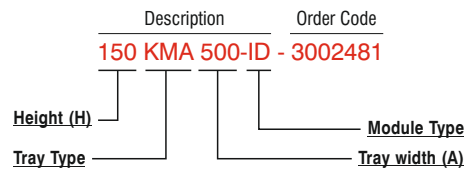
►► KMA CONVEX MODULE (90°) R=120
 Hot Dip Galvanized After Fabrication (TS EN ISO 1461)

Description	H (mm)	A (mm)	T (mm)	Weight (kg/pc)	Order Code
125 KMA 200 ID	125	200	2	3,406	3002473
125 KMA 300 ID	125	300	2	3,641	3002474
125 KMA 400 ID	125	400	2	3,874	3002475
125 KMA 500 ID	125	500	2	4,104	3002476
125 KMA 600 ID	125	600	2	4,336	3002477
150 KMA 200 ID	150	200	2	3,961	3002478
150 KMA 300 ID	150	300	2	4,197	3002479
150 KMA 400 ID	150	400	2	4,430	3002480
150 KMA 500 ID	150	500	2	4,660	3002481
150 KMA 600 ID	150	600	2	4,892	3002482



H= 125 four rows perforated
 H= 150 five rows perforated.

Sample Order:
 Height (H): 150 mm,
 Tray Width (A): 500 mm,
 Sheet Metal Thickness (T): 2 mm,
 Type of Coating (S): Hot Dip Galvanized,
 Module Type: Convex Module



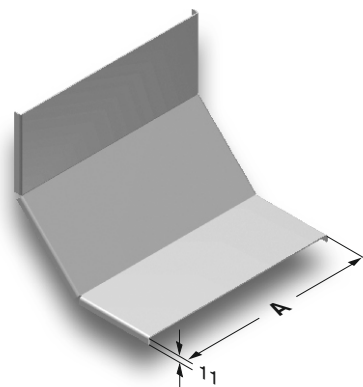
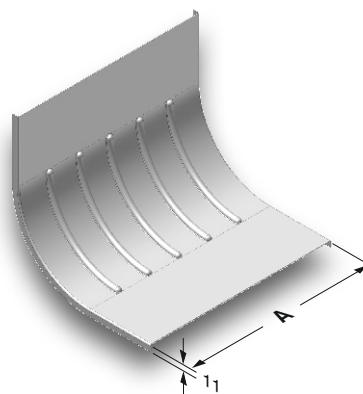
- Please indicate order code in your orders.
- Please contact us for special size.
- Material weights may vary by ± 10%

►► KMA CONCAVE MODULE COVER

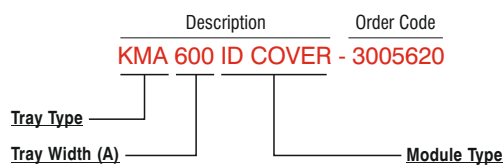
Hot Dip Galvanized After Fabrication (TS EN ISO 1461)

Description	A (mm)	T (mm)	Weight (kg./pc.)	Order Code
KMA 100 ID COVER	105	2	0,845	3005634
KMA 200 ID COVER	205	2	1,510	3005630
KMA 300 ID COVER	305	2	2,176	3005626
KMA 400 ID COVER	405	2	2,841	3005624
KMA 500 ID COVER	505	2	3,506	3005622
KMA 600 ID COVER	605	2	4,172	3005620
125 KMA 200 ID COVER	205	2	1,478	3002494
125 KMA 300 ID COVER	305	2	2,138	3002496
125 KMA 400 ID COVER	405	2	2,800	3002497
125 KMA 500 ID COVER	505	2	3,460	3002498
125 KMA 600 ID COVER	605	2	4,121	3002499
150 KMA 200 ID COVER	205	2	1,478	3002494
150 KMA 300 ID COVER	305	2	2,138	3002496
150 KMA 400 ID COVER	405	2	2,800	3002497
150 KMA 500 ID COVER	505	2	3,460	3002498
150 KMA 600 ID COVER	605	2	4,121	3002499

ID (90°)



Sample Order:

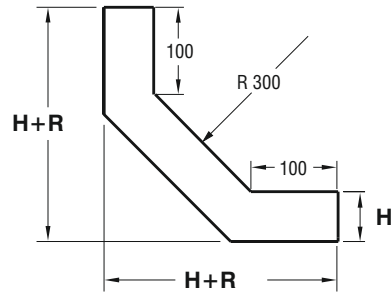
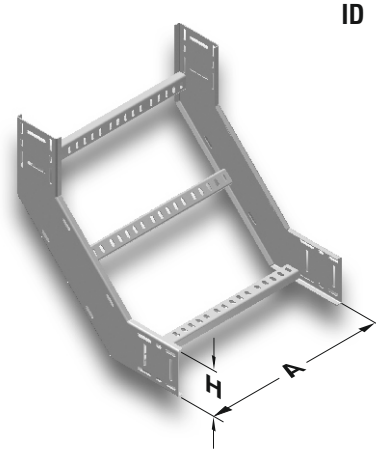


- Please indicate order code in your orders.
- Please contact us for special size.
- Material weights may vary by ± 10%

►► KMA CONCAVE MODULE (90°) R=300

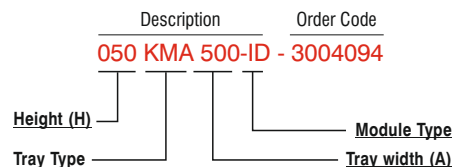
Hot Dip Galvanized After Fabrication (TS EN ISO 1461)

Description	H (mm)	A (mm)	T (mm)	Weight (kg/pc)	Order Code
040 KMA 100 ID	40	100	2	1,262	3004084
040 KMA 200 ID	40	200	2	1,535	3004085
040 KMA 300 ID	40	300	2	1,808	3004086
040 KMA 400 ID	40	400	2	2,081	3004087
040 KMA 500 ID	40	500	2	2,354	3004088
040 KMA 600 ID	40	600	2	2,627	3004089
050 KMA 100 ID	50	100	2	1,405	3004090
050 KMA 200 ID	50	200	2	1,678	3004091
050 KMA 300 ID	50	300	2	1,950	3004092
050 KMA 400 ID	50	400	2	2,223	3004093
050 KMA 500 ID	50	500	2	2,497	3004094
050 KMA 600 ID	50	600	2	2,770	3004095
060 KMA 100 ID	60	100	2	1,612	3004096
060 KMA 200 ID	60	200	2	1,885	3004097
060 KMA 300 ID	60	300	2	2,158	3004098
060 KMA 400 ID	60	400	2	2,431	3004099
060 KMA 500 ID	60	500	2	2,704	3004100
060 KMA 600 ID	60	600	2	2,978	3004101
075 KMA 100 ID	75	100	2	1,912	3004102
075 KMA 200 ID	75	200	2	2,185	3004103
075 KMA 300 ID	75	300	2	2,457	3004104
075 KMA 400 ID	75	400	2	2,730	3004105
075 KMA 500 ID	75	500	2	3,003	3004106
075 KMA 600 ID	75	600	2	3,277	3004107
100 KMA 200 ID	100	200	2	2,729	3004109
100 KMA 300 ID	100	300	2	3,002	3004110
100 KMA 400 ID	100	400	2	3,275	3004111
100 KMA 500 ID	100	500	2	3,548	3004112
100 KMA 600 ID	100	600	2	3,820	3004113
125 KMA 200 ID	125	200	2	3,314	3000958
125 KMA 300 ID	125	300	2	3,588	3000959
125 KMA 400 ID	125	400	2	3,861	3000960
125 KMA 500 ID	125	500	2	4,134	3000961
125 KMA 600 ID	125	600	2	4,407	3000962
150 KMA 200 ID	150	200	2	3,978	3000963
150 KMA 300 ID	150	300	2	4,252	3000964
150 KMA 400 ID	150	400	2	4,527	3000965
150 KMA 500 ID	150	500	2	4,797	3000966
150 KMA 600 ID	150	600	2	5,311	3000967



H=040, H=050, H=060 single row perforated.
 H=075 two row perforated.
 H=100 three rows perforated.
 H=125 four rows perforated
 H=150 five rows perforated.

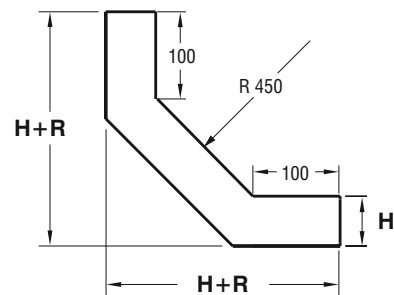
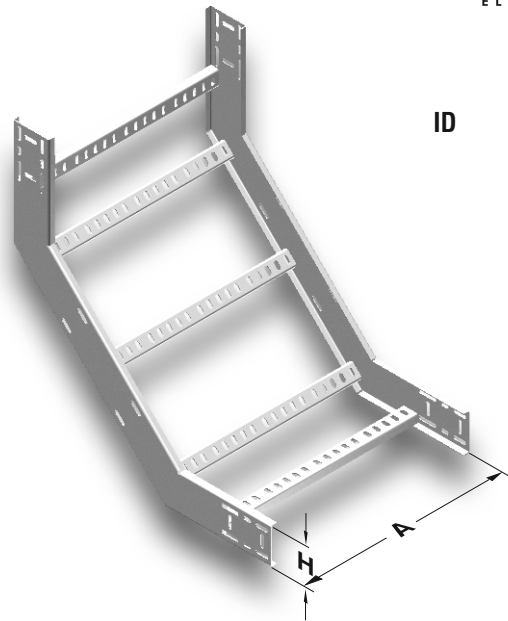
Sample Order:
 Height (H): 50 mm,
 Tray width (A): 500 mm,
 Sheet Metal Thickness (T): 2 mm,
 Type of Coating (S): Hot Dip Galvanized,
 Module Type: Concave Module.



- Please indicate order code in your orders.
- Please contact us for special size.
- Material weights may vary by ± 10%

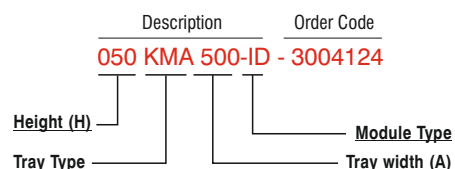
►► **KMA CONCAVE MODULE (90°) R=450**
 Hot Dip Galvanized After Fabrication (TS EN ISO 1461)

Description	H (mm)	A (mm)	T (mm)	Weight (kg/pc)	Order Code
040 KMA 100 ID	40	100	2	1,746	3004114
040 KMA 200 ID	40	200	2	2,020	3004115
040 KMA 300 ID	40	300	2	2,292	3004116
040 KMA 400 ID	40	400	2	2,565	3004117
040 KMA 500 ID	40	500	2	2,838	3004118
040 KMA 600 ID	40	600	2	3,112	3004119
050 KMA 100 ID	50	100	2	1,975	3004120
050 KMA 200 ID	50	200	2	2,247	3004121
050 KMA 300 ID	50	300	2	2,521	3004122
050 KMA 400 ID	50	400	2	2,794	3004123
050 KMA 500 ID	50	500	2	3,067	3004124
050 KMA 600 ID	50	600	2	3,340	3004125
060 KMA 100 ID	60	100	2	2,268	3004126
060 KMA 200 ID	60	200	2	2,541	3004127
060 KMA 300 ID	60	300	2	2,814	3004128
060 KMA 400 ID	60	400	2	3,088	3004129
060 KMA 500 ID	60	500	2	3,361	3004130
060 KMA 600 ID	60	600	2	3,633	3004131
075 KMA 100 ID	75	100	2	2,696	3004132
075 KMA 200 ID	75	200	2	2,969	3004133
075 KMA 300 ID	75	300	2	3,243	3004134
075 KMA 400 ID	75	400	2	3,516	3004135
075 KMA 500 ID	75	500	2	3,788	3004136
075 KMA 600 ID	75	600	2	4,061	3004137
100 KMA 200 ID	100	200	2	3,728	3004139
100 KMA 300 ID	100	300	2	4,001	3004140
100 KMA 400 ID	100	400	2	4,275	3004141
100 KMA 500 ID	100	500	2	4,547	3004142
100 KMA 600 ID	100	600	2	4,820	3004143
125 KMA 200 ID	125	200	2	4,529	3000968
125 KMA 300 ID	125	300	2	4,802	3000969
125 KMA 400 ID	125	400	2	5,075	3000970
125 KMA 500 ID	125	500	2	5,348	3000971
125 KMA 600 ID	125	600	2	5,621	3000972
150 KMA 200 ID	150	200	2	5,415	3000973
150 KMA 300 ID	150	300	2	5,688	3000974
150 KMA 400 ID	150	400	2	5,961	3000975
150 KMA 500 ID	150	500	2	6,235	3000976
150 KMA 600 ID	150	600	2	6,508	3000977



H=040, H=050, H=060 single row perforated.
 H=075 two row perforated.
 H=100 three rows perforated.
 H=125 four rows perforated
 H=150 five rows perforated.

Sample Order:
 Height (H): 50 mm,
 Tray width (A): 500 mm,
 Sheet Metal Thickness (T): 2 mm,
 Type of Coating (S): Hot Dip Galvanized,
 Module Type: Concave Module.

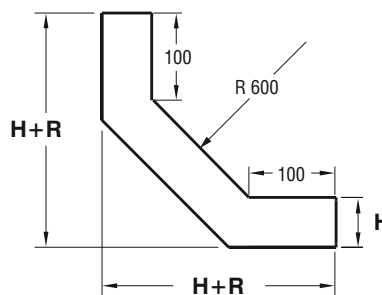
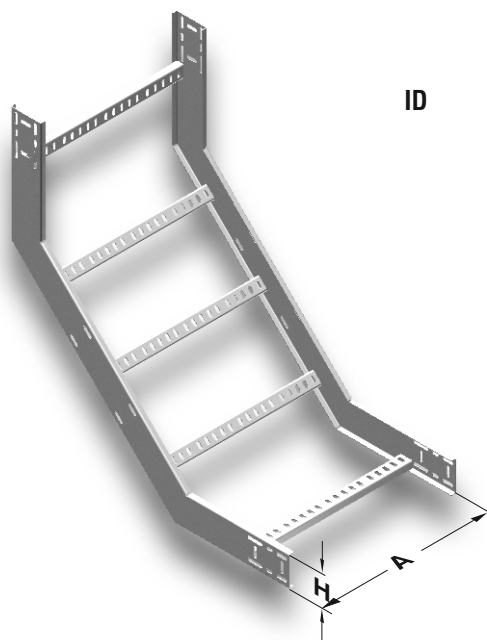


- Please indicate order code in your orders.
- Please contact us for special size.
- Material weights may vary by ± 10%

►► KMA CONCAVE MODULE (90°) **R=600**

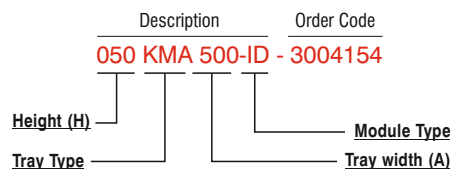
Hot Dip Galvanized After Fabrication (TS EN ISO 1461)

Description	H (mm)	A (mm)	T (mm)	Weight (kg/pc)	Order Code
040 KMA 100 ID	40	100	2	2,231	3004144
040 KMA 200 ID	40	200	2	2,504	3004145
040 KMA 300 ID	40	300	2	2,776	3004146
040 KMA 400 ID	40	400	2	3,049	3004147
040 KMA 500 ID	40	500	2	3,323	3004148
040 KMA 600 ID	40	600	2	3,596	3004149
050 KMA 100 ID	50	100	2	2,545	3004150
050 KMA 200 ID	50	200	2	2,818	3004151
050 KMA 300 ID	50	300	2	3,091	3004152
050 KMA 400 ID	50	400	2	3,364	3004153
050 KMA 500 ID	50	500	2	3,637	3004154
050 KMA 600 ID	50	600	2	3,911	3004155
060 KMA 100 ID	60	100	2	2,924	3004156
060 KMA 200 ID	60	200	2	3,198	3004157
060 KMA 300 ID	60	300	2	3,471	3004158
060 KMA 400 ID	60	400	2	3,743	3004159
060 KMA 500 ID	60	500	2	4,016	3004160
060 KMA 600 ID	60	600	2	4,289	3004161
075 KMA 100 ID	75	100	2	3,482	3004162
075 KMA 200 ID	75	200	2	3,754	3004163
075 KMA 300 ID	75	300	2	4,027	3004164
075 KMA 400 ID	75	400	2	4,300	3004165
075 KMA 500 ID	75	500	2	4,574	3004166
075 KMA 600 ID	75	600	2	4,847	3004167
100 KMA 200 ID	100	200	2	4,728	3004169
100 KMA 300 ID	100	300	2	5,001	3004170
100 KMA 400 ID	100	400	2	5,273	3004171
100 KMA 500 ID	100	500	2	5,546	3004172
100 KMA 600 ID	100	600	2	5,820	3004173
125 KMA 200 ID	125	200	2	5,743	3000978
125 KMA 300 ID	125	300	2	6,016	3000979
125 KMA 400 ID	125	400	2	6,289	3000980
125 KMA 500 ID	125	500	2	6,562	3000981
125 KMA 600 ID	125	600	2	6,835	3000982
150 KMA 200 ID	150	200	2	6,852	3000983
150 KMA 300 ID	150	300	2	7,126	3000984
150 KMA 400 ID	150	400	2	7,399	3000985
150 KMA 500 ID	150	500	2	7,671	3000986
150 KMA 600 ID	150	600	2	7,944	3000987



H=040, H=050, H=060 single row perforated.
 H=075 two row perforated.
 H=100 three rows perforated.
 H=125 four rows perforated
 H=150 five rows perforated.

Sample Order:
 Height (H): 50 mm,
 Tray width (A): 500 mm,
 Sheet Metal Thickness (T): 2 mm,
 Type of Coating (S): Hot Dip Galvanized,
 Module Type: Concave Module.

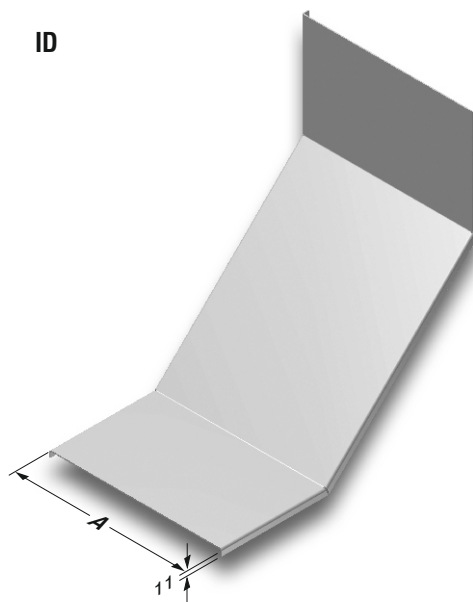


- Please indicate order code in your orders.
- Please contact us for special size.
- Material weights may vary by ± 10%

►► KMA CONCAVE MODULE COVER R=300

Hot Dip Galvanized After Fabrication (TS EN ISO 1461)

Description	A (mm)	T (mm)	Weight (kg./pc.)	Order Code
KMA 100 ID COVER	100	2	1,035	3005113
KMA 200 ID COVER	200	2	1,888	3005115
KMA 300 ID COVER	300	2	2,740	3005117
KMA 400 ID COVER	400	2	3,593	3005118
KMA 500 ID COVER	500	2	4,444	3005119
KMA 600 ID COVER	600	2	5,297	3005120

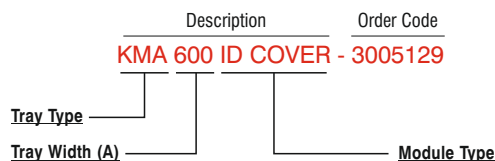


►► KMA CONCAVE MODULE COVER R=450

Hot Dip Galvanized After Fabrication (TS EN ISO 1461)

Description	A (mm)	T (mm)	Weight (kg./pc.)	Order Code
KMA 100 ID COVER	100	2	1,557	3005122
KMA 200 ID COVER	200	2	2,838	3005124
KMA 300 ID COVER	300	2	4,119	3005126
KMA 400 ID COVER	400	2	5,400	3005127
KMA 500 ID COVER	500	2	6,682	3005128
KMA 600 ID COVER	600	2	7,963	3005129

Sample Order:



►► KMA CONCAVE MODULE COVER R=600

Hot Dip Galvanized After Fabrication (TS EN ISO 1461)

Description	A (mm)	T (mm)	Weight (kg./pc.)	Order Code
KMA 100 ID COVER	100	2	2,078	3005131
KMA 200 ID COVER	200	2	3,788	3005133
KMA 300 ID COVER	300	2	5,498	3005135
KMA 400 ID COVER	400	2	7,209	3005136
KMA 500 ID COVER	500	2	8,919	3005137
KMA 600 ID COVER	600	2	10,629	3005138

■ Please indicate order code in your orders.

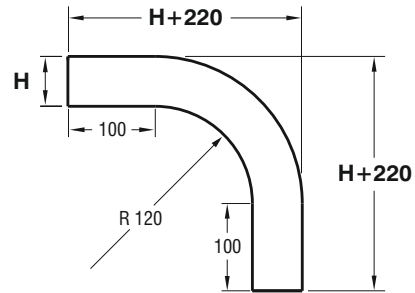
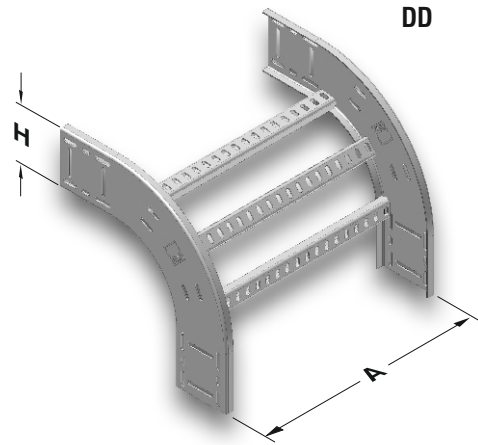
■ Material weights may vary by ± 10%

■ Please contact us for special size.

►► KMA CONVEX MODULE (90°) R=120

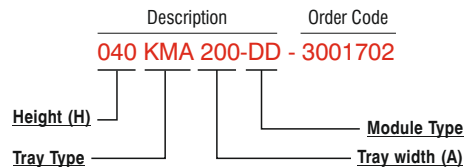
Hot Dip Galvanized After Fabrication (TS EN ISO 1461)

Description	H (mm)	A (mm)	T (mm)	Weight (kg/pc)	Order Code
040 KMA 100 DD	40	100	2	1,041	3001701
040 KMA 200 DD	40	200	2	1,324	3001702
040 KMA 300 DD	40	300	2	1,605	3001703
040 KMA 400 DD	40	400	2	1,885	3001704
040 KMA 500 DD	40	500	2	2,169	3001705
040 KMA 600 DD	40	600	2	2,450	3001706
050 KMA 100 DD	50	100	2	1,115	3001707
050 KMA 200 DD	50	200	2	1,399	3001708
050 KMA 300 DD	50	300	2	1,680	3001709
050 KMA 400 DD	50	400	2	1,960	3001710
050 KMA 500 DD	50	500	2	2,244	3001711
050 KMA 600 DD	50	600	2	2,525	3001712
060 KMA 100 DD	60	100	2	1,329	3001713
060 KMA 200 DD	60	200	2	1,613	3001714
060 KMA 300 DD	60	300	2	1,893	3001715
060 KMA 400 DD	60	400	2	2,174	3001716
060 KMA 500 DD	60	500	2	2,457	3001717
060 KMA 600 DD	60	600	2	2,738	3001718
075 KMA 100 DD	75	100	2	1,571	3001719
075 KMA 200 DD	75	200	2	1,855	3001720
075 KMA 300 DD	75	300	2	2,135	3001721
075 KMA 400 DD	75	400	2	2,416	3001722
075 KMA 500 DD	75	500	2	2,699	3001723
075 KMA 600 DD	75	600	2	2,980	3001724
100 KMA 200 DD	100	200	2	2,297	3001725
100 KMA 300 DD	100	300	2	2,577	3001726
100 KMA 400 DD	100	400	2	2,858	3001727
100 KMA 500 DD	100	500	2	3,142	3001728
100 KMA 600 DD	100	600	2	3,422	3001729



H=040, H=050, H=060 single line perforated
 H=075 double line perforated
 H=100 triple line perforated

Sample Order:
 Height (H): 40 mm,
 Tray Width (A): 200 mm,
 Sheet Metal Thickness (T): 2 mm,
 Type of Coating (S): Hot Dip Galvanized,
 Module Type: Convex Module

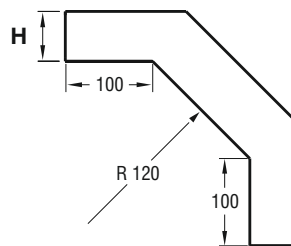
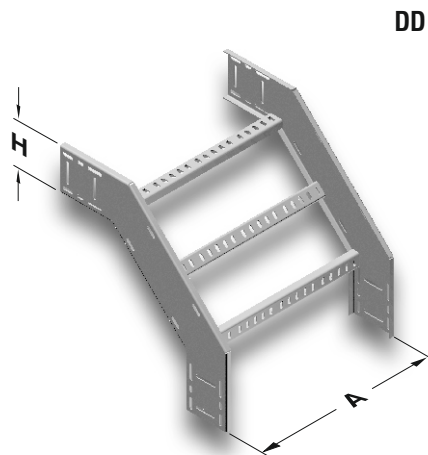


- Please indicate order code in your orders.
- Please contact us for special size.
- Material weights may vary by ± 10%

►► KMA CONVEX MODULE (90°) R=120

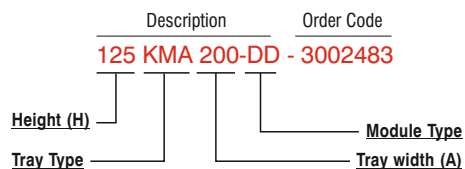
Hot Dip Galvanized After Fabrication (TS EN ISO 1461)

Description	H (mm)	A (mm)	T (mm)	Weight (kg/pc)	Order Code
125 KMA 200 DD	125	200	2	3,406	3002483
125 KMA 300 DD	125	300	2	3,641	3002484
125 KMA 400 DD	125	400	2	3,874	3002485
125 KMA 500 DD	125	500	2	4,104	3002486
125 KMA 600 DD	125	600	2	4,336	3002487
150 KMA 200 DD	150	200	2	3,961	3002488
150 KMA 300 DD	150	300	2	4,197	3002489
150 KMA 400 DD	150	400	2	4,430	3002490
150 KMA 500 DD	150	500	2	4,660	3002491
150 KMA 600 DD	150	600	2	4,892	3002492



H= 125 four rows perforated
H= 150 five rows perforated.

Sample Order:
Height (H): 125 mm,
Tray Width (A): 200 mm,
Sheet Metal Thickness (T): 2 mm,
Type of Coating (S): Hot Dip Galvanized,
Module Type: Convex Module



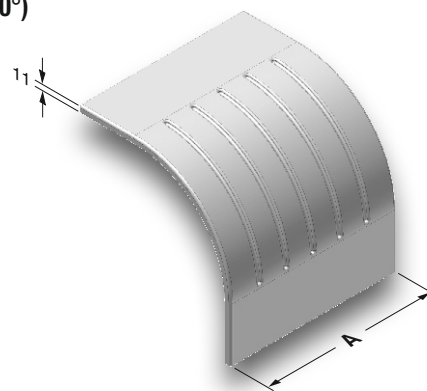
- Please indicate order code in your orders.
- Please contact us for special size.
- Material weights may vary by ± 10%

►► KMA CONVEX MODULE COVER

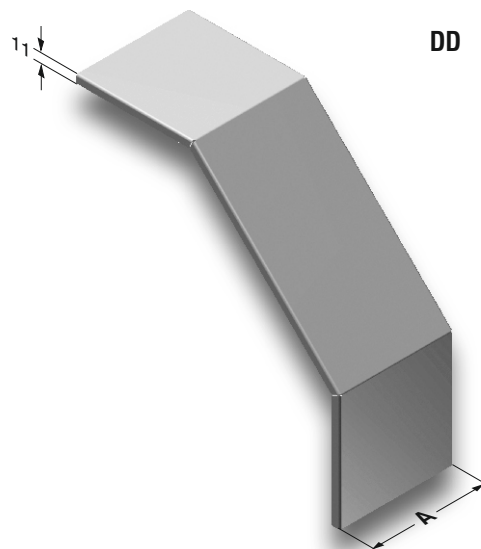
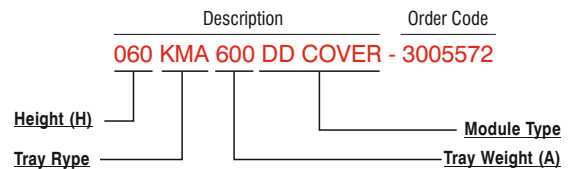
Hot Dip Galvanized After Fabrication (TS EN ISO 1461)

Description	A (mm)	T (mm)	Weight (kg/pc)	Order Code
040 KMA 100 DD COVER	105	2	0,983	3005618
040 KMA 200 DD COVER	205	2	1,757	3005614
040 KMA 300 DD COVER	305	2	2,530	3005610
040 KMA 400 DD COVER	405	2	3,304	3005608
040 KMA 500 DD COVER	505	2	4,078	3005606
040 KMA 600 DD COVER	605	2	4,852	3005604
050 KMA 100 DD COVER	105	2	1,017	3005602
050 KMA 200 DD COVER	205	2	1,818	3005598
050 KMA 300 DD COVER	305	2	2,619	3005594
050 KMA 400 DD COVER	405	2	3,420	3005592
050 KMA 500 DD COVER	505	2	4,221	3005590
050 KMA 600 DD COVER	605	2	5,022	3005588
060 KMA 100 DD COVER	105	2	1,052	3005586
060 KMA 200 DD COVER	205	2	1,880	3005582
060 KMA 300 DD COVER	305	2	2,708	3005578
060 KMA 400 DD COVER	405	2	3,536	3005576
060 KMA 500 DD COVER	505	2	4,364	3005574
060 KMA 600 DD COVER	605	2	5,192	3005572
075 KMA 100 DD COVER	105	2	1,103	3005570
075 KMA 200 DD COVER	205	2	1,972	3005568
075 KMA 300 DD COVER	305	2	2,841	3005566
075 KMA 400 DD COVER	405	2	3,709	3005564
075 KMA 500 DD COVER	505	2	4,578	3005562
075 KMA 600 DD COVER	605	2	5,447	3005560
100 KMA 200 DD COVER	205	2	2,126	3005558
100 KMA 300 DD COVER	305	2	3,062	3005556
100 KMA 400 DD COVER	405	2	3,999	3005554
100 KMA 500 DD COVER	505	2	4,935	3005552
100 KMA 600 DD COVER	605	2	5,872	3005550
125 KMA 200 DD COVER	205	2	2,302	3003699
125 KMA 300 DD COVER	305	2	3,321	3003701
125 KMA 400 DD COVER	405	2	4,341	3003702
125 KMA 500 DD COVER	505	2	5,359	3003703
125 KMA 600 DD COVER	605	2	6,378	3003704
150 KMA 200 DD COVER	205	2	2,466	3003705
150 KMA 300 DD COVER	305	2	3,557	3003707
150 KMA 400 DD COVER	405	2	4,650	3003708
150 KMA 500 DD COVER	505	2	5,741	3003709
150 KMA 600 DD COVER	605	2	6,833	3003710

DD (90°)



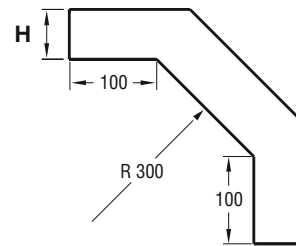
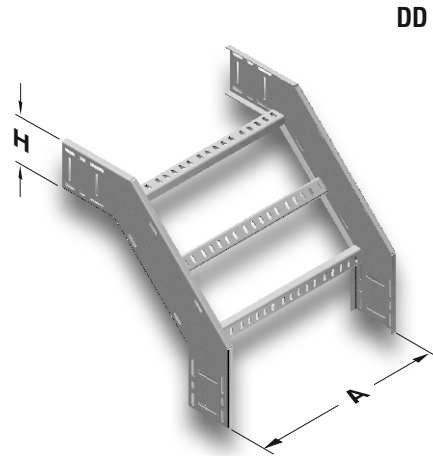
Sample Order:



- Please indicate order code in your orders.
- Please contact us for special size.
- Material weights may vary by ± 10%

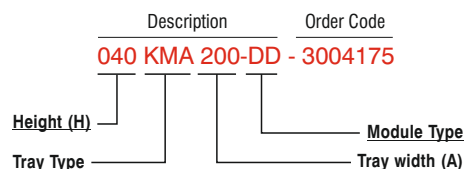
►► KMA CONVEX MODULE (90°) R=300
 Hot Dip Galvanized After Fabrication (TS EN ISO 1461)

Description	H (mm)	A (mm)	T (mm)	Weight (kg/pc)	Order Code
040 KMA 100 DD	40	100	2	1,262	3004174
040 KMA 200 DD	40	200	2	1,535	3004175
040 KMA 300 DD	40	300	2	1,808	3004176
040 KMA 400 DD	40	400	2	2,081	3004177
040 KMA 500 DD	40	500	2	2,354	3004178
040 KMA 600 DD	40	600	2	2,627	3004179
050 KMA 100 DD	50	100	2	1,405	3004180
050 KMA 200 DD	50	200	2	1,678	3004181
050 KMA 300 DD	50	300	2	1,950	3004182
050 KMA 400 DD	50	400	2	2,223	3004183
050 KMA 500 DD	50	500	2	2,497	3004184
050 KMA 600 DD	50	600	2	2,770	3004185
060 KMA 100 DD	60	100	2	1,612	3004186
060 KMA 200 DD	60	200	2	1,885	3004187
060 KMA 300 DD	60	300	2	2,158	3004188
060 KMA 400 DD	60	400	2	2,431	3004189
060 KMA 500 DD	60	500	2	2,704	3004190
060 KMA 600 DD	60	600	2	2,978	3004191
075 KMA 100 DD	75	100	2	1,912	3004192
075 KMA 200 DD	75	200	2	2,185	3004193
075 KMA 300 DD	75	300	2	2,457	3004194
075 KMA 400 DD	75	400	2	2,730	3004195
075 KMA 500 DD	75	500	2	2,910	3004196
075 KMA 600 DD	75	600	2	3,277	3004197
100 KMA 200 DD	100	200	2	2,729	3004199
100 KMA 300 DD	100	300	2	3,002	3004200
100 KMA 400 DD	100	400	2	3,275	3004201
100 KMA 500 DD	100	500	2	3,548	3004202
100 KMA 600 DD	100	600	2	3,820	3004203
125 KMA 200 DD	125	200	2	3,314	3000988
125 KMA 300 DD	125	300	2	3,588	3000989
125 KMA 400 DD	125	400	2	3,861	3000990
125 KMA 500 DD	125	500	2	4,134	3000991
125 KMA 600 DD	125	600	2	4,407	3000992
150 KMA 200 DD	150	200	2	3,978	3000993
150 KMA 300 DD	150	300	2	4,252	3000994
150 KMA 400 DD	150	400	2	4,527	3000995
150 KMA 500 DD	150	500	2	4,797	3000996
150 KMA 600 DD	150	600	2	5,112	3000997



H=040, H=050, H=060 single row perforated.
 H=075 two row perforated.
 H=100 three rows perforated.
 H=125 four rows perforated.
 H=150 five rows perforated.

Sample Order:
 Height (H): 40 mm,
 Tray Width (A): 200 mm,
 Sheet Metal Thickness (T): 2 mm,
 Type of Coating (S): Hot Dip Galvanized,
 Module Type: Convex Module

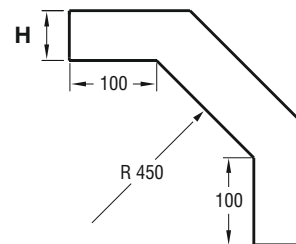
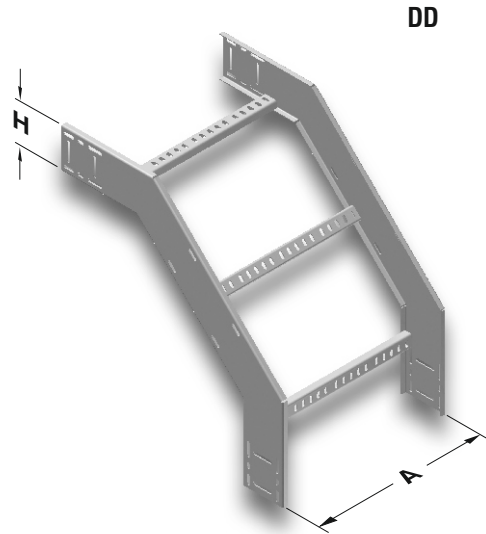


- Please indicate order code in your orders.
- Please contact us for special size.
- Material weights may vary by ± 10%

►► KMA CONVEX MODULE (90°) R=450

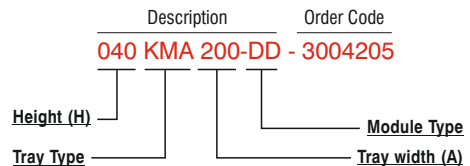
Hot Dip Galvanized After Fabrication (TS EN ISO 1461)

Description	H (mm)	A (mm)	T (mm)	Weight (kg/pc)	Order Code
040 KMA 100 DD	40	100	2	1,746	3004204
040 KMA 200 DD	40	200	2	2,020	3004205
040 KMA 300 DD	40	300	2	2,292	3004206
040 KMA 400 DD	40	400	2	2,565	3004207
040 KMA 500 DD	40	500	2	2,838	3004208
040 KMA 600 DD	40	600	2	3,112	3004209
050 KMA 100 DD	50	100	2	1,975	3004210
050 KMA 200 DD	50	200	2	2,247	3004211
050 KMA 300 DD	50	300	2	2,521	3004212
050 KMA 400 DD	50	400	2	2,794	3004213
050 KMA 500 DD	50	500	2	3,067	3004214
050 KMA 600 DD	50	600	2	3,340	3004215
060 KMA 100 DD	60	100	2	2,268	3004216
060 KMA 200 DD	60	200	2	2,541	3004217
060 KMA 300 DD	60	300	2	2,814	3004218
060 KMA 400 DD	60	400	2	3,088	3004219
060 KMA 500 DD	60	500	2	3,361	3004220
060 KMA 600 DD	60	600	2	3,633	3004221
075 KMA 100 DD	75	100	2	2,696	3004222
075 KMA 200 DD	75	200	2	2,969	3004223
075 KMA 300 DD	75	300	2	3,243	3004224
075 KMA 400 DD	75	400	2	3,516	3004225
075 KMA 500 DD	75	500	2	3,788	3004226
075 KMA 600 DD	75	600	2	4,061	3004227
100 KMA 200 DD	100	200	2	3,728	3004229
100 KMA 300 DD	100	300	2	4,001	3004230
100 KMA 400 DD	100	400	2	4,275	3004231
100 KMA 500 DD	100	500	2	4,547	3004232
100 KMA 600 DD	100	600	2	4,820	3004233
125 KMA 200 DD	125	200	2	4,529	3000998
125 KMA 300 DD	125	300	2	4,802	3000999
125 KMA 400 DD	125	400	2	5,075	3001000
125 KMA 500 DD	125	500	2	5,348	3001001
125 KMA 600 DD	125	600	2	5,621	3001002
150 KMA 200 DD	150	200	2	5,415	3001003
150 KMA 300 DD	150	300	2	5,688	3001004
150 KMA 400 DD	150	400	2	5,961	3001005
150 KMA 500 DD	150	500	2	6,235	3001006
150 KMA 600 DD	150	600	2	6,508	3001007



H=040, H=050, H=060 single row perforated.
 H=075 two row perforated.
 H=100 three rows perforated.
 H=125 four rows perforated.
 H=150 five rows perforated.

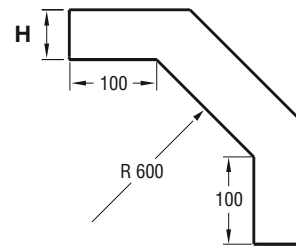
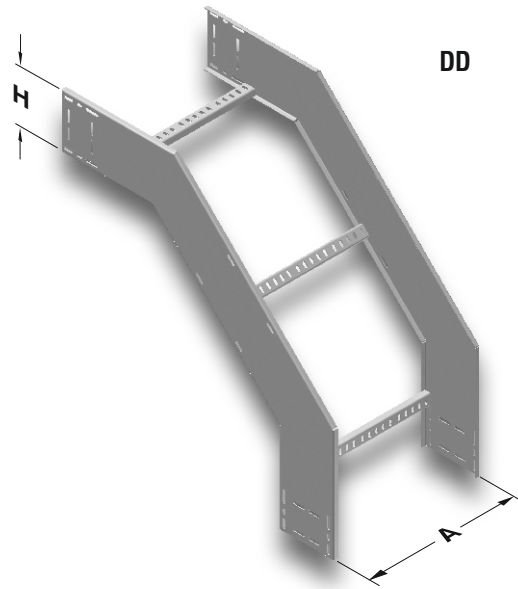
Sample Order:
 Height (H): 40 mm,
 Tray Width (A): 200 mm,
 Sheet Metal Thickness (T): 2 mm,
 Type of Coating (S): Hot Dip Galvanized,
 Module Type: Convex Module



- Please indicate order code in your orders.
- Please contact us for special size.
- Material weights may vary by ± 10%

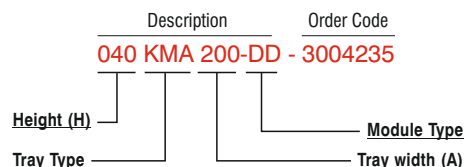
►► KMA CONVEX MODULE (90°) R=600
 Hot Dip Galvanized After Fabrication (TS EN ISO 1461)

Description	H (mm)	A (mm)	T (mm)	Weight (kg/pc)	Order Code
040 KMA 100 DD	40	100	2	2,231	3004234
040 KMA 200 DD	40	200	2	2,504	3004235
040 KMA 300 DD	40	300	2	2,776	3004236
040 KMA 400 DD	40	400	2	3,049	3004237
040 KMA 500 DD	40	500	2	3,323	3004238
040 KMA 600 DD	40	600	2	3,596	3004239
050 KMA 100 DD	50	100	2	2,545	3004240
050 KMA 200 DD	50	200	2	2,818	3004241
050 KMA 300 DD	50	300	2	3,091	3004242
050 KMA 400 DD	50	400	2	3,364	3004243
050 KMA 500 DD	50	500	2	3,637	3004244
050 KMA 600 DD	50	600	2	3,911	3004245
060 KMA 100 DD	60	100	2	2,924	3004246
060 KMA 200 DD	60	200	2	3,198	3004247
060 KMA 300 DD	60	300	2	3,471	3004248
060 KMA 400 DD	60	400	2	3,743	3004249
060 KMA 500 DD	60	500	2	4,016	3004250
060 KMA 600 DD	60	600	2	4,289	3004251
075 KMA 100 DD	75	100	2	3,482	3004252
075 KMA 200 DD	75	200	2	3,754	3004253
075 KMA 300 DD	75	300	2	4,027	3004254
075 KMA 400 DD	75	400	2	4,300	3004255
075 KMA 500 DD	75	500	2	4,574	3004256
075 KMA 600 DD	75	600	2	4,847	3004257
100 KMA 200 DD	100	200	2	4,728	3004259
100 KMA 300 DD	100	300	2	5,001	3004260
100 KMA 400 DD	100	400	2	5,273	3004261
100 KMA 500 DD	100	500	2	5,546	3004262
100 KMA 600 DD	100	600	2	5,820	3004263
125 KMA 200 DD	125	200	2	5,743	3001008
125 KMA 300 DD	125	300	2	6,016	3001009
125 KMA 400 DD	125	400	2	6,289	3001010
125 KMA 500 DD	125	500	2	6,562	3001011
125 KMA 600 DD	125	600	2	6,835	3001012
150 KMA 200 DD	150	200	2	6,852	3001013
150 KMA 300 DD	150	300	2	7,126	3001014
150 KMA 400 DD	150	400	2	7,399	3001015
150 KMA 500 DD	150	500	2	7,671	3001016
150 KMA 600 DD	150	600	2	7,944	3001017



H=040, H=050, H=060 single row perforated.
 H=075 two row perforated.
 H=100 three rows perforated.
 H=125 four rows perforated.
 H=150 five rows perforated.

Sample Order:
 Height (H): 40 mm,
 Tray Width (A): 200 mm,
 Sheet Metal Thickness (T): 2 mm,
 Type of Coating (S): Hot Dip Galvanized,
 Module Type: Convex Module

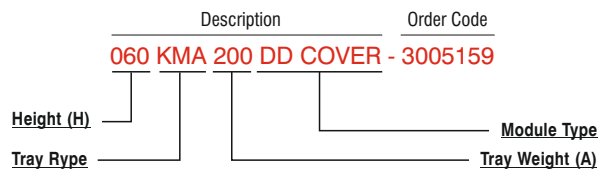
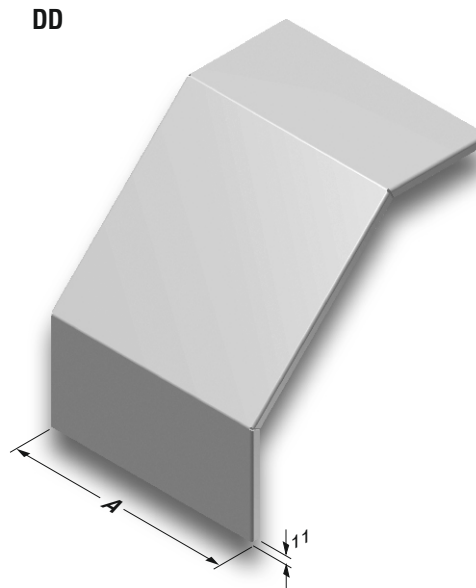


- Please indicate order code in your orders.
- Please contact us for special size.
- Material weights may vary by ± 10%

►► KMA CONVEX MODULE COVER R=300

Hot Dip Galvanized After Fabrication (TS EN ISO 1461)

Description	A (mm)	T (mm)	Weight (kg/pc)	Order Code
040 KMA 100 DD COVER	100	2	1,179	3005140
040 KMA 200 DD COVER	200	2	2,146	3005142
040 KMA 300 DD COVER	300	2	3,113	3005144
040 KMA 400 DD COVER	400	2	4,079	3005145
040 KMA 500 DD COVER	500	2	5,046	3005146
040 KMA 600 DD COVER	600	2	6,013	3005147
050 KMA 100 DD COVER	100	2	1,214	3005149
050 KMA 200 DD COVER	200	2	2,210	3005151
050 KMA 300 DD COVER	300	2	3,205	3005153
050 KMA 400 DD COVER	400	2	4,200	3005154
050 KMA 500 DD COVER	500	2	5,195	3005155
050 KMA 600 DD COVER	600	2	6,190	3005156
060 KMA 100 DD COVER	100	2	1,249	3005157
060 KMA 200 DD COVER	200	2	2,273	3005159
060 KMA 300 DD COVER	300	2	3,297	3005161
060 KMA 400 DD COVER	400	2	4,321	3005162
060 KMA 500 DD COVER	500	2	5,345	3005163
060 KMA 600 DD COVER	600	2	6,368	3005164
075 KMA 100 DD COVER	100	2	1,301	3005165
075 KMA 200 DD COVER	200	2	2,368	3005167
075 KMA 300 DD COVER	300	2	3,435	3005169
075 KMA 400 DD COVER	400	2	4,502	3005170
075 KMA 500 DD COVER	500	2	5,568	3005171
075 KMA 600 DD COVER	600	2	6,635	3005172
100 KMA 200 DD COVER	200	2	2,527	3005175
100 KMA 300 DD COVER	300	2	3,665	3005177
100 KMA 400 DD COVER	400	2	4,803	3005178
100 KMA 500 DD COVER	500	2	5,942	3005179
100 KMA 600 DD COVER	600	2	7,080	3005180
125 KMA 200 DD COVER	200	2	2,686	3005182
125 KMA 300 DD COVER	300	2	3,895	3005184
125 KMA 400 DD COVER	400	2	5,105	3005185
125 KMA 500 DD COVER	500	2	6,315	3005186
125 KMA 600 DD COVER	600	2	7,525	3005187
150 KMA 200 DD COVER	200	2	2,844	3005188
150 KMA 300 DD COVER	300	2	4,126	3005190
150 KMA 400 DD COVER	400	2	5,407	3005191
150 KMA 500 DD COVER	500	2	6,688	3005192
150 KMA 600 DD COVER	600	2	7,969	3005193



■ Please indicate order code in your orders.

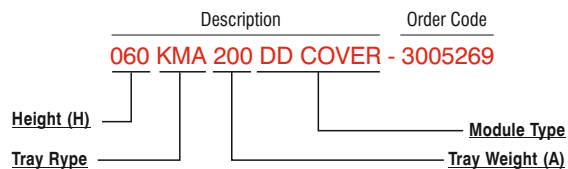
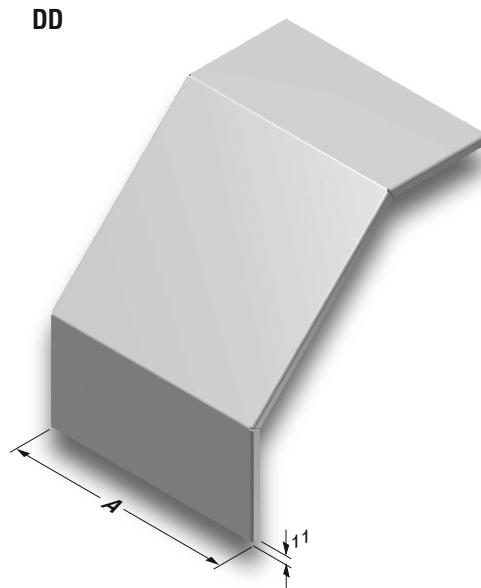
■ Material weights may vary by ± 10%

■ Please contact us for special size.

►► KMA CONVEX MODULE COVER R=600

Hot Dip Galvanized After Fabrication (TS EN ISO 1461)

Description	A (mm)	T (mm)	Weight (kg/pc)	Order Code
040 KMA 100 DD COVER	100	2	2,226	3005250
040 KMA 200 DD COVER	200	2	4,051	3005252
040 KMA 300 DD COVER	300	2	5,875	3005254
040 KMA 400 DD COVER	400	2	7,700	3005255
040 KMA 500 DD COVER	500	2	9,525	3005256
040 KMA 600 DD COVER	600	2	11,349	3005257
050 KMA 100 DD COVER	100	2	2,261	3005259
050 KMA 200 DD COVER	200	2	4,114	3005261
050 KMA 300 DD COVER	300	2	5,967	3005263
050 KMA 400 DD COVER	400	2	7,821	3005264
050 KMA 500 DD COVER	500	2	9,674	3005265
050 KMA 600 DD COVER	600	2	11,527	3005266
060 KMA 100 DD COVER	100	2	2,296	3005267
060 KMA 200 DD COVER	200	2	4,178	3005269
060 KMA 300 DD COVER	300	2	6,059	3005271
060 KMA 400 DD COVER	400	2	7,941	3005272
060 KMA 500 DD COVER	500	2	9,823	3005273
060 KMA 600 DD COVER	600	2	11,705	3005274
075 KMA 100 DD COVER	100	2	2,348	3005275
075 KMA 200 DD COVER	200	2	4,273	3005277
075 KMA 300 DD COVER	300	2	6,198	3005279
075 KMA 400 DD COVER	400	2	8,122	3005280
075 KMA 500 DD COVER	500	2	10,047	3005281
075 KMA 600 DD COVER	600	2	11,972	3005282
100 KMA 200 DD COVER	200	2	4,432	3005285
100 KMA 300 DD COVER	300	2	6,428	3005287
100 KMA 400 DD COVER	400	2	8,424	3005288
100 KMA 500 DD COVER	500	2	10,420	3005289
100 KMA 600 DD COVER	600	2	12,416	3005290
125 KMA 200 DD COVER	200	2	4,590	3005292
125 KMA 300 DD COVER	300	2	6,658	3005294
125 KMA 400 DD COVER	400	2	8,726	3005295
125 KMA 500 DD COVER	500	2	10,793	3005296
125 KMA 600 DD COVER	600	2	12,861	3005297
150 KMA 200 DD COVER	200	2	4,749	3005298
150 KMA 300 DD COVER	300	2	6,888	3005300
150 KMA 400 DD COVER	400	2	9,027	3005301
150 KMA 500 DD COVER	500	2	11,167	3005302
150 KMA 600 DD COVER	600	2	13,306	3005303



■ Please indicate order code in your orders.

■ Material weights may vary by ± 10%

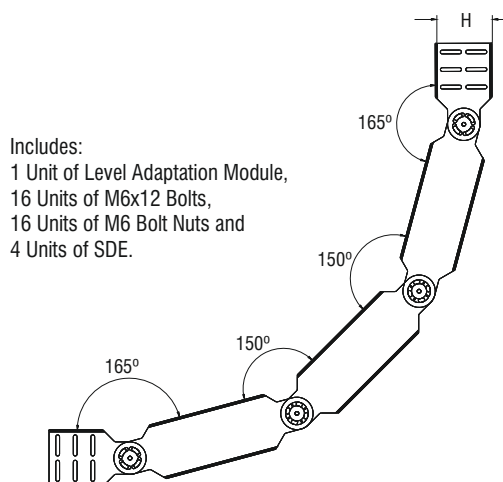
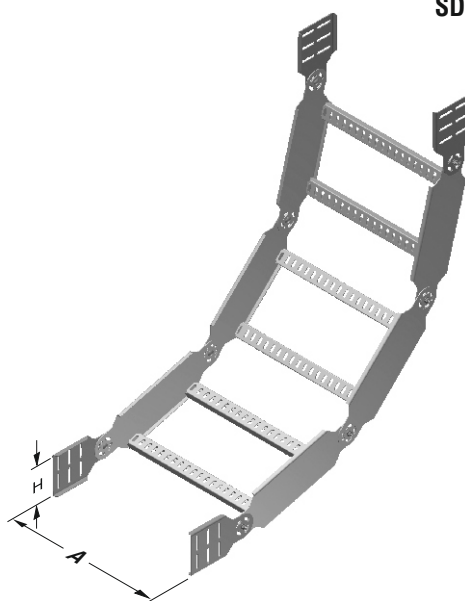
■ Please contact us for special size.

►► KMA-KMH LEVEL ADAPTATION MODULE

Hot Dip Galvanized After Fabrication (TS EN ISO 1461)

Description	H (mm)	A (mm)	T (mm)	Weight (kg/set)	Order Code
040 KMA-KMH 100 SDM	40	100	2	2,983	3001527
040 KMA-KMH 200 SDM	40	200	2	3,551	3001528
040 KMA-KMH 300 SDM	40	300	2	4,112	3001529
040 KMA-KMH 400 SDM	40	400	2	4,673	3001530
040 KMA-KMH 500 SDM	40	500	2	5,240	3001531
040 KMA-KMH 600 SDM	40	600	2	5,801	3001532
050 KMA-KMH 100 SDM	50	100	2	3,326	3001533
050 KMA-KMH 200 SDM	50	200	2	3,894	3001534
050 KMA-KMH 300 SDM	50	300	2	4,455	3001535
050 KMA-KMH 400 SDM	50	400	2	5,016	3001536
050 KMA-KMH 500 SDM	50	500	2	5,584	3001537
050 KMA-KMH 600 SDM	50	600	2	6,145	3001538
060 KMA-KMH 100 SDM	60	100	2	3,784	3001539
060 KMA-KMH 200 SDM	60	200	2	4,352	3001540
060 KMA-KMH 300 SDM	60	300	2	4,913	3001541
060 KMA-KMH 400 SDM	60	400	2	5,474	3001542
060 KMA-KMH 500 SDM	60	500	2	6,041	3001543
060 KMA-KMH 600 SDM	60	600	2	6,602	3001544
075 KMA-KMH 100 SDM	75	100	2	4,349	3001545
075 KMA-KMH 200 SDM	75	200	2	4,917	3001546
075 KMA-KMH 300 SDM	75	300	2	5,478	3001547
075 KMA-KMH 400 SDM	75	400	2	6,039	3001548
075 KMA-KMH 500 SDM	75	500	2	6,607	3001549
075 KMA-KMH 600 SDM	75	600	2	7,168	3001550
100 KMA-KMH 200 SDM	100	200	2	5,720	3001551
100 KMA-KMH 300 SDM	100	300	2	6,281	3001552
100 KMA-KMH 400 SDM	100	400	2	6,842	3001553
100 KMA-KMH 500 SDM	100	500	2	7,410	3001554
100 KMA-KMH 600 SDM	100	600	2	7,971	3001555
125 KMA-KMH 200 SDM	125	200	2	6,530	3002413
125 KMA-KMH 300 SDM	125	300	2	7,091	3002414
125 KMA-KMH 400 SDM	125	400	2	7,652	3002415
125 KMA-KMH 500 SDM	125	500	2	8,220	3002416
125 KMA-KMH 600 SDM	125	600	2	8,781	3002417
150 KMA-KMH 200 SDM	150	200	2	7,340	3002418
150 KMA-KMH 300 SDM	150	300	2	7,901	3002419
150 KMA-KMH 400 SDM	150	400	2	8,462	3002420
150 KMA-KMH 500 SDM	150	500	2	9,030	3002421
150 KMA-KMH 600 SDM	150	600	2	9,591	3002422

SDM



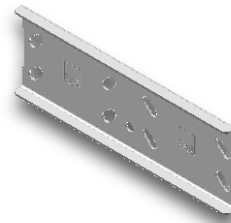
H=040, H=050, H=060 single row perforated.
 H=075 two row perforated.
 H=100 three rows perforated.
 H=125 four rows perforated.
 H=150 five rows perforated.

- Please indicate order code in your orders.
- Please contact us for special size.
- Material weights may vary by ± 10%

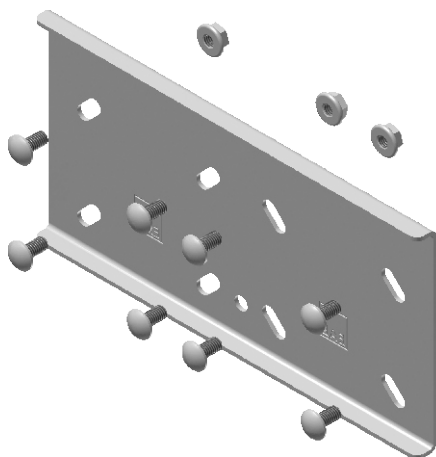
►► KM JOINT FITTING

Hot Dip Galvanized (TS EN ISO 1461)

Description	H (mm)	T (mm)	Weight (kg/pc)	Order Code
40 KM JOINT FITTING	40	2	0,212	3006945
50 KM JOINT FITTING	50	2	0,244	3006943
60 KM JOINT FITTING	60	2	0,284	3006941
75 KM JOINT FITTING	75	2	0,331	3006939
100 KM JOINT FITTING	100	2	0,412	3006937
125 KM JOINT FITTING	125	2	0,496	3003311
150 KM JOINT FITTING	150	2	0,579	3003312
40 KMH JOINT FITTING	40	1,5	0,163	3006167
50 KMH JOINT FITTING	50	1,5	0,188	3006165
60 KMH JOINT FITTING	60	1,5	0,217	3006163



Joint Fitting



For a H=40 joint; 4 M6x12 bolts and 4 M6 nuts should be used.

For a H=50 joint; 4 M6x12 bolts and 4 M6 nuts should be used.

For a H=60 joint; 4 M6x12 bolts and 4 M6 nuts should be used.

For a H=75 joint; 8 M6x12 bolts and 8 M6 nuts should be used.

For a H=100 joint; 8 M6x12 bolts and 8 M6 nuts should be used.

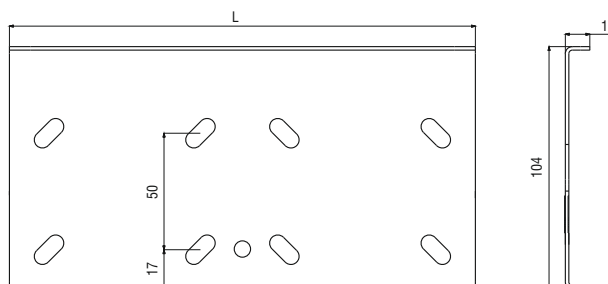
For a H=125 joint; 12 M6x12 bolts and 12 M6 nuts should be used.

For a H=150 joint; 12 M6x12 bolts and 12 M6 nuts should be used.

40 KMH JOINT FITTING L=200
50 KMH JOINT FITTING L=200
60 KMH JOINT FITTING L=200

40 KM JOINT FITTING L=210
50 KM JOINT FITTING L=210
60 KM JOINT FITTING L=210
75 KM JOINT FITTING L=210
100 KM JOINT FITTING L=210
125 KM JOINT FITTING L=192
150 KM JOINT FITTING L=210

H=040, H=050, H=060 single line perforated
H=075 double line perforated
H=100 triple line perforated
H=125 four rows perforated.
H=150 five rows perforated.



■ Please indicate order code in your orders.

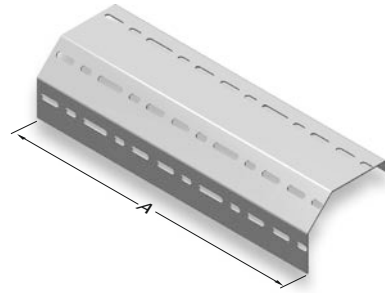
■ Please contact us for special size.

■ Material weights may vary by $\pm 10\%$

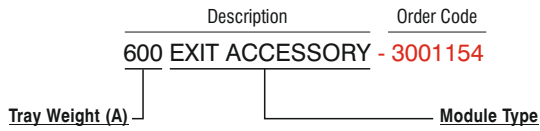
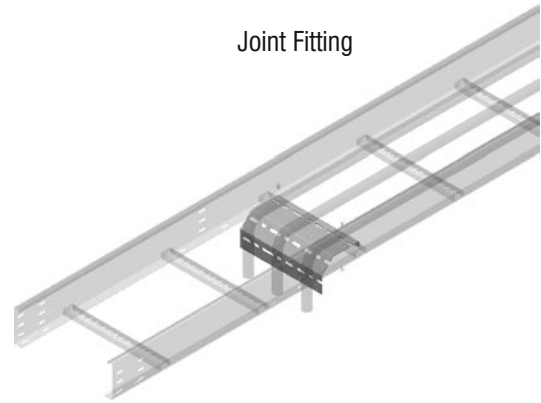
►► KM EXIT ACCESSORY

Hot Dip Galvanized After Fabrication (TS EN ISO 1461)

Description	A (mm)	T (mm)	Weight (kg./pc.)	Order Code
100 EXIT ACCESSORY	50	2	0,139	3030317
200 EXIT ACCESSORY	150	2	0,442	3001150
300 EXIT ACCESSORY	250	2	0,743	3001151
400 EXIT ACCESSORY	350	2	1,042	3001152
500 EXIT ACCESSORY	450	2	1,340	3001153
600 EXIT ACCESSORY	550	2	1,655	3001154

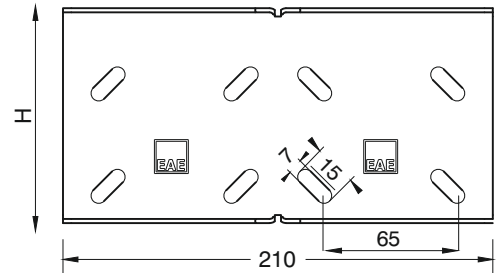
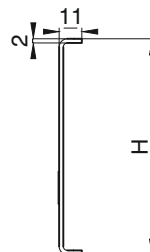
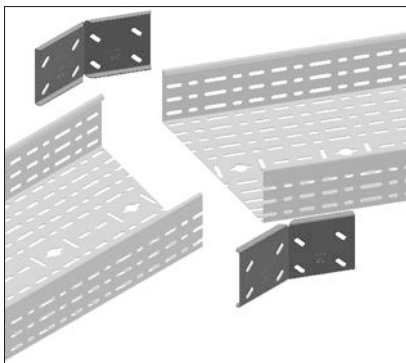
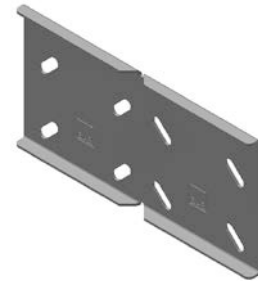


Joint Fitting



►► KMA NOTCHED JOINT FITTING

Description	H (mm)	Weight (kg./pc.)	Order Code
040 KMA HINGED JOINT FITTING	40	0,205	3187841
050 KMA HINGED JOINT FITTING	50	0,241	3187842
060 KMA HINGED JOINT FITTING	60	0,278	3187843
075 KMA HINGED JOINT FITTING	75	0,322	3187844
100 KMA HINGED JOINT FITTING	100	0,413	3187845
125 KMA HINGED JOINT FITTING	125	0,484	3187846
150 KMA HINGED JOINT FITTING	150	0,584	3187847

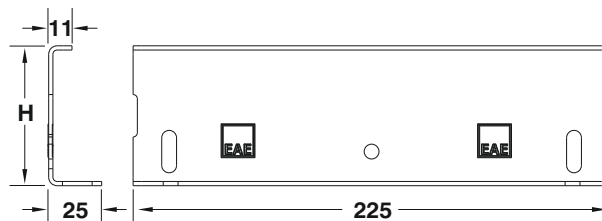
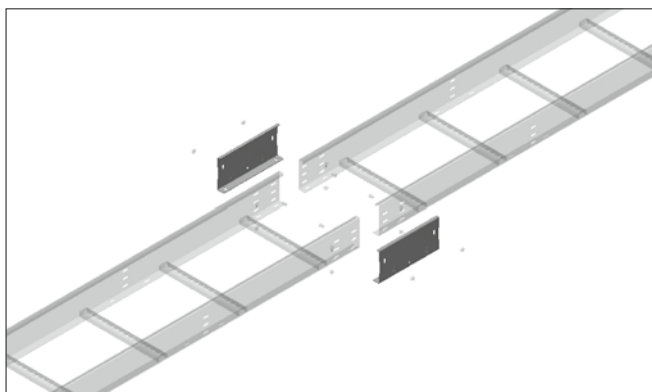
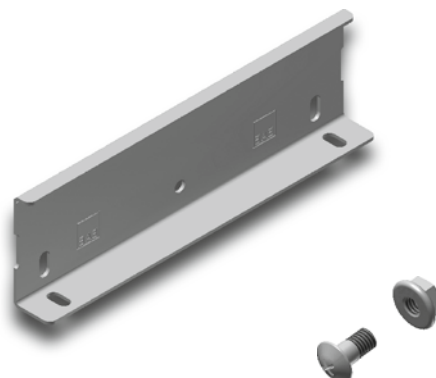


- Please indicate order code in your orders.
- Please contact us for special size.
- Material weights may vary by $\pm 10\%$.

►► KM EXPANSION SET

Hot Dip Galvanized After Fabrication (TS EN ISO 1461)

Description	Ladder Thickness To Be Fixed (mm)	H (mm)	T (mm)	Weight (kg./set.)	Order Code
40 KM EXPANSION SET	1 - 1,2	40	2	0,622	3006612
40 KM EXPANSION SET	1,5 - 2	40	2	0,622	3006615
50 KM EXPANSION SET	1 - 1,2	50	2	0,698	3006613
50 KM EXPANSION SET	1,5 - 2	50	2	0,698	3006616
60 KM EXPANSION SET	1 - 1,2	60	2	0,777	3006614
60 KM EXPANSION SET	1,5 - 2	60	2	0,777	3006617
75 KM EXPANSION SET	1,5 - 2	75	2	0,905	3006618
100 KM EXPANSION SET	1,5 - 2	100	2	1,098	3006619
125 KM EXPANSION SET	1,5 - 2	125	2	1,304	3006620
150 KM EXPANSION SET	1,5 - 2	150	2	1,510	3006621



- Dilatation set allows for expansion upto 26mm.
- 40-50-60-75-100 Dilatation sets uses, 2 lots of dilatation joints, 8 pieces of special bolts and nuts.
125-150 Dilatation sets uses, 2 lots of dilatation joints, 12 pieces of special bolts and nuts.

▶▶ CABLE LADDER JOINT BOLT & NUT SET

Description	Weight (kg/set)	Order Code
JOINT BOLT SET M6	0,009	1004314

- Contains 1 unit M6x12 dished head bolt + 1 unit M6 flanged nut. Coated with standard lac.

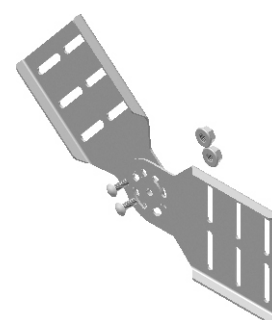


▶▶ KM LEVEL ADAPTATION JOINT SET

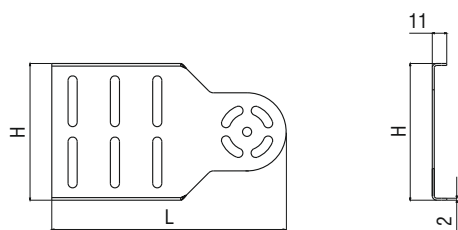
Hot Dip Galvanized (TS EN ISO 1461)

Description	H (mm)	T (mm)	Weight (kg/set)	Order Code
40 KM SDE	40	2	0,512	3005394
50 KM SDE	50	2	0,592	3006951
60 KM SDE	60	2	0,652	3005392
75 KM SDE	75	2	0,856	3006949
100 KM SDE	100	2	1,028	3006947
125 KM SDE	125	2	1,113	3003326
150 KM SDE	150	2	1,309	3003327

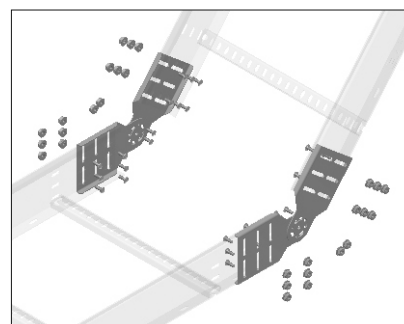
Level Adaptation Joint



Level adaptation joint set contains right and left vertical adjustable joint units and 4 M6x12 bolt set.



40/50/60 KM-SDE L=160
75/100 KM-SDE L=180
125/150 KM-SDE L=180

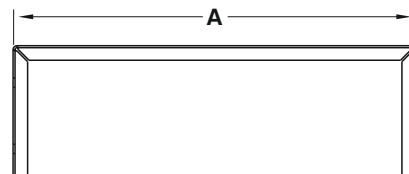
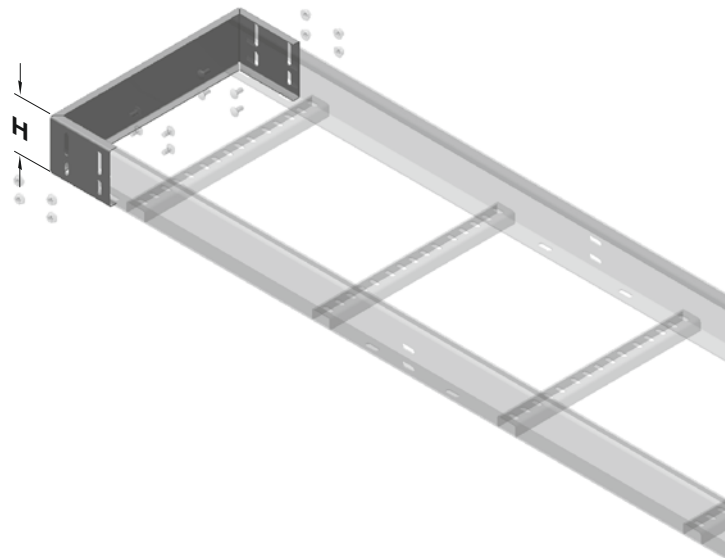


- Please indicate order code in your orders.
- Please contact us for special size.
- Material weights may vary by $\pm 10\%$

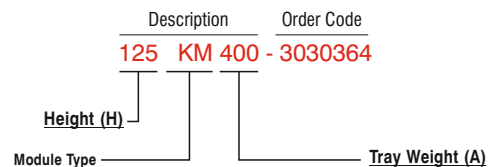
►► KM END COVER

Hot Dip Galvanized After Fabrication (TS EN ISO 1461)

Description	H (mm)	A (mm)	T (mm)	Weight (kg./set.)	Order Code
040 KM 100	40	100	1,5	0,223	3030319
040 KM 200	40	200	1,5	0,304	3030321
040 KM 300	40	300	1,5	0,385	3030323
040 KM 400	40	400	1,5	0,465	3030324
040 KM 500	40	500	1,5	0,546	3030325
040 KM 600	40	600	1,5	0,626	3030326
050 KM 100	50	100	1,5	0,263	3030328
050 KM 200	50	200	1,5	0,356	3030330
050 KM 300	50	300	1,5	0,449	3030332
050 KM 400	50	400	1,5	0,542	3030333
050 KM 500	50	500	1,5	0,636	3030334
050 KM 600	50	600	1,5	0,729	3030335
060 KM 100	60	100	1,5	0,295	3030336
060 KM 200	60	200	1,5	0,402	3030338
060 KM 300	60	300	1,5	0,507	3030340
060 KM 400	60	400	1,5	0,614	3030341
060 KM 500	60	500	1,5	0,721	3030342
060 KM 600	60	600	1,5	0,826	3030343
075 KM 100	75	100	1,5	0,348	3030344
075 KM 200	75	200	1,5	0,474	3030346
075 KM 300	75	300	1,5	0,600	3030348
075 KM 400	75	400	1,5	0,725	3030349
075 KM 500	75	500	1,5	0,851	3030350
075 KM 600	75	600	1,5	0,977	3030351
100 KM 100	100	100	1,5	0,444	3030352
100 KM 200	100	200	1,5	0,602	3030354
100 KM 300	100	300	1,5	0,760	3030356
100 KM 400	100	400	1,5	0,919	3030357
100 KM 500	100	500	1,5	1,077	3030358
100 KM 600	100	600	1,5	1,235	3030359
125 KM 200	125	200	1,5	0,729	3030361
125 KM 300	125	300	1,5	0,921	3030363
125 KM 400	125	400	1,5	1,111	3030364
125 KM 500	125	500	1,5	1,301	3030365
125 KM 600	125	600	1,5	1,492	3030366
150 KM 200	150	200	1,5	0,853	3030367
150 KM 300	150	300	1,5	1,075	3030369
150 KM 400	150	400	1,5	1,298	3030370
150 KM 500	150	500	1,5	1,521	3030371
150 KM 600	150	600	1,5	1,744	3030372



Sample Order:



■ Please indicate order code in your orders.

■ Material weights may vary by ± 10%.

►► KMH-KMA FIXING UNITS

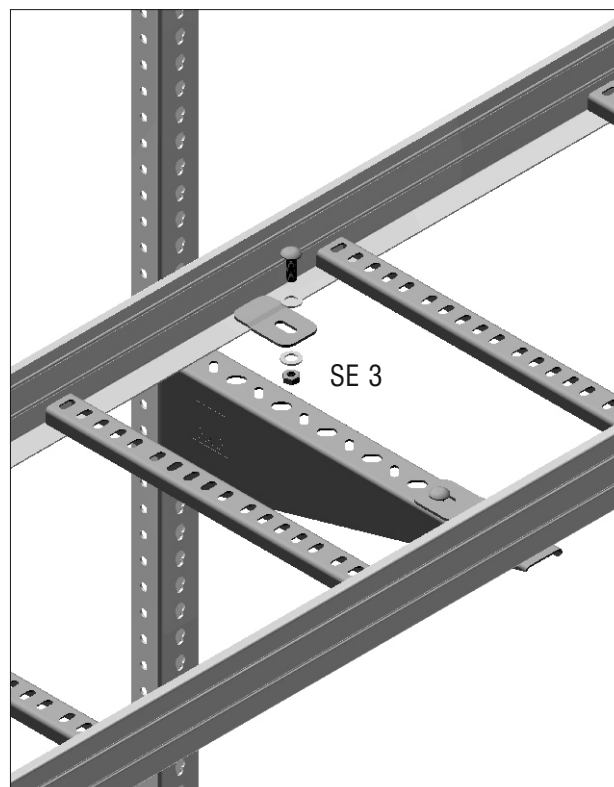
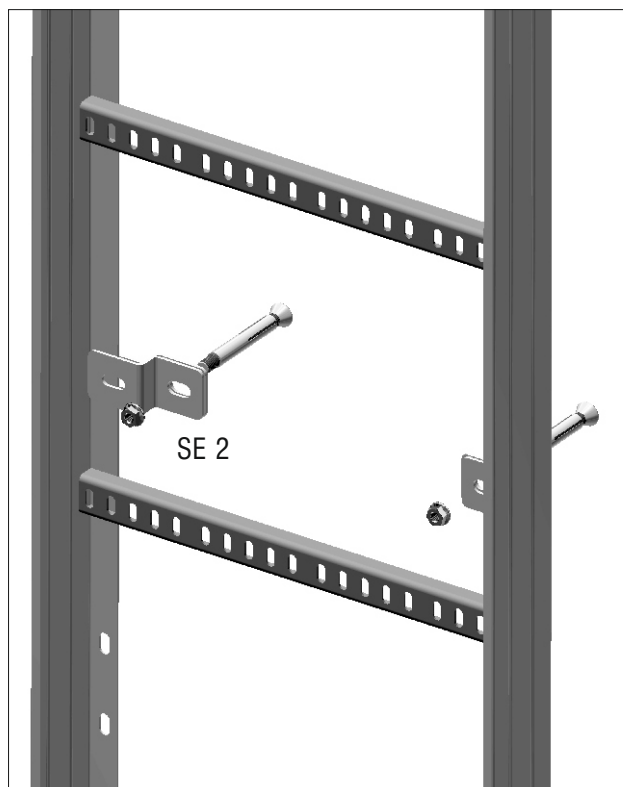
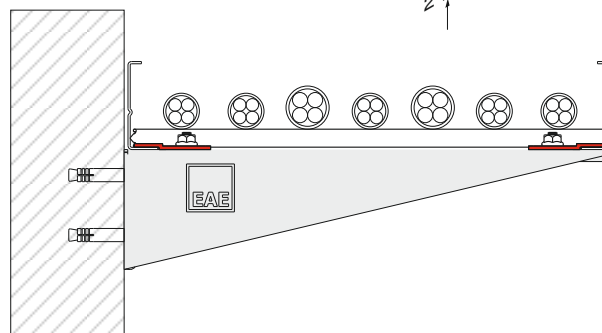
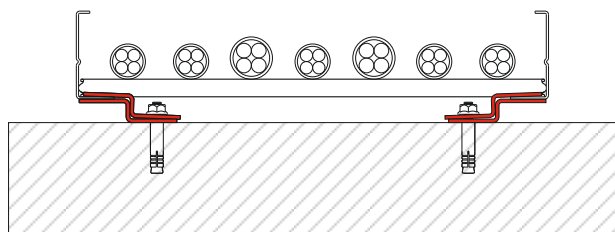
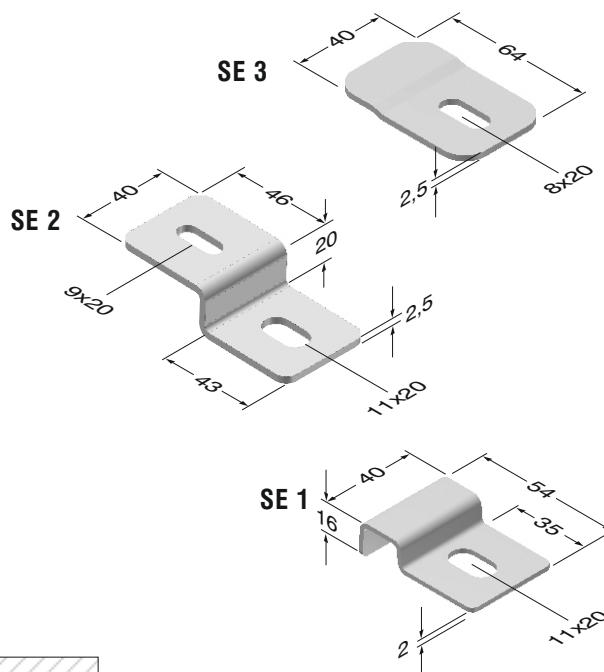
Pre-galvanized (TS EN 10346 - TS EN 10143)

Description	Weight (kg/set)	Order Code
SE1 KMH-KMA FIXING UNIT	0,046	3026173

►► KMH-KMA FIXING UNITS

Alkali Zinc

Description	Weight (kg/set)	Order Code
SE2 KMH-KMA FIXING UNIT	0,079	3006651
SE3 KMH-KMA FIXING UNIT	0,049	3006650

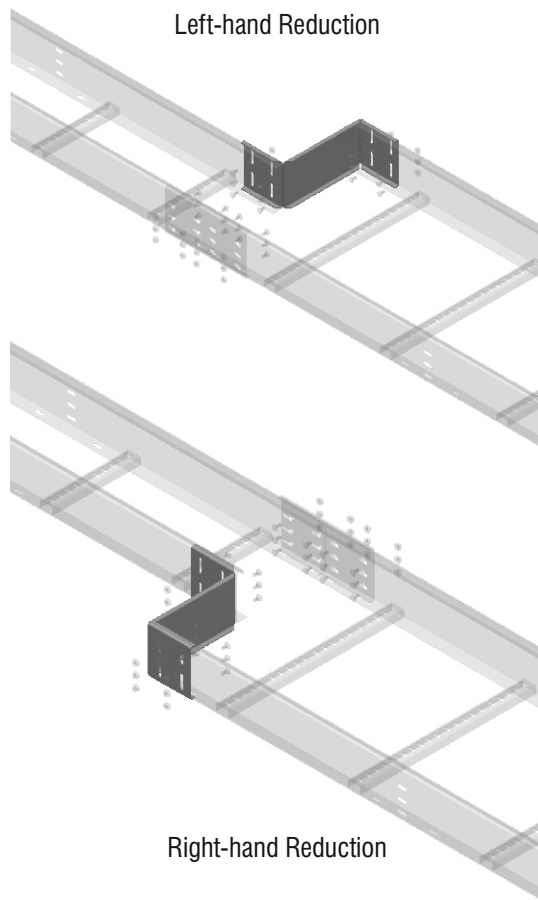


- Please indicate order code in your orders.
- Please contact us for special size.
- Material weights may vary by ± 10%

►► KMH-KMA REDUCTION

Hot Dip Galvanized (TS EN ISO 1461)

Description	H (mm)	A (mm)	T (mm)	Weight (kg/pc)	Order Code
40 KMH-KMA RD 25	40	25	2	0,206	3002260
40 KMH-KMA RD 50	40	50	2	0,232	3002262
40 KMH-KMA RD100	40	100	2	0,284	3002264
40 KMH-KMA RD150	40	150	2	0,337	3002266
40 KMH-KMA RD200	40	200	2	0,388	3002268
40 KMH-KMA RD250	40	250	2	0,441	3002270
40 KMH-KMA RD300	40	300	2	0,493	3002272
50 KMH-KMA RD 25	50	25	2	0,244	3002274
50 KMH-KMA RD 50	50	50	2	0,275	3002276
50 KMH-KMA RD100	50	100	2	0,336	3002278
50 KMH-KMA RD150	50	150	2	0,396	3002280
50 KMH-KMA RD200	50	200	2	0,457	3002282
50 KMH-KMA RD250	50	250	2	0,518	3002284
50 KMH-KMA RD300	50	300	2	0,579	3002286
60 KMH-KMA RD 25	60	25	2	0,274	3002288
60 KMH-KMA RD 50	60	50	2	0,308	3002290
60 KMH-KMA RD100	60	100	2	0,377	3002292
60 KMH-KMA RD150	60	150	2	0,447	3002294
60 KMH-KMA RD200	60	200	2	0,517	3002296
60 KMH-KMA RD250	60	250	2	0,586	3002298
60 KMH-KMA Rd300	60	300	2	0,656	3002300
75 KMH-KMA RD 25	75	25	2	0,323	3002302
75 KMH-KMA RD 50	75	50	2	0,365	3002304
75 KMH-KMA RD100	75	100	2	0,448	3002306
75 KMH-KMA RD150	75	150	2	0,530	3002308
75 KMH-KMA RD200	75	200	2	0,612	3002310
75 KMH-KMA RD250	75	250	2	0,694	3002312
75 KMH-KMA Rd300	75	300	2	0,777	3002314
100 KMH-KMA RD 25	100	25	2	0,419	3002316
100 KMH-KMA RD 50	100	50	2	0,472	3002318
100 KMH-KMA RD100	100	100	2	0,575	3002320
100 KMH-KMA RD150	100	150	2	0,680	3002322
100 KMH-KMA RD200	100	200	2	0,783	3002324
100 KMH-KMA RD250	100	250	2	0,888	3002326
100 KMH-KMA Rd300	100	300	2	0,991	3002328



Description	H (mm)	A (mm)	T (mm)	Weight (kg/pc)	Order Code
125 KMH-KMA RD 25	125	25	2	0,510	3003332
125 KMH-KMA RD 50	125	50	2	0,573	3003333
125 KMH-KMA RD 100	125	100	2	0,699	3003334
125 KMH-KMA RD 150	125	150	2	0,825	3003335
125 KMH-KMA RD 200	125	200	2	0,950	3003336
125 KMH-KMA RD 250	125	250	2	1,076	3003337
125 KMH-KMA RD 300	125	300	2	1,201	3003338
150 KMH-KMA RD 25	150	25	2	0,596	3003339
150 KMH-KMA RD 50	150	50	2	0,670	3003340
150 KMH-KMA RD 100	150	100	2	0,817	3003341
150 KMH-KMA RD 150	150	150	2	0,964	3003342
150 KMH-KMA RD 200	150	200	2	1,111	3003343
150 KMH-KMA RD 250	150	250	2	1,258	3003344
150 KMH-KMA RD 300	150	300	2	1,406	3003345

■ Please indicate order code in your orders.

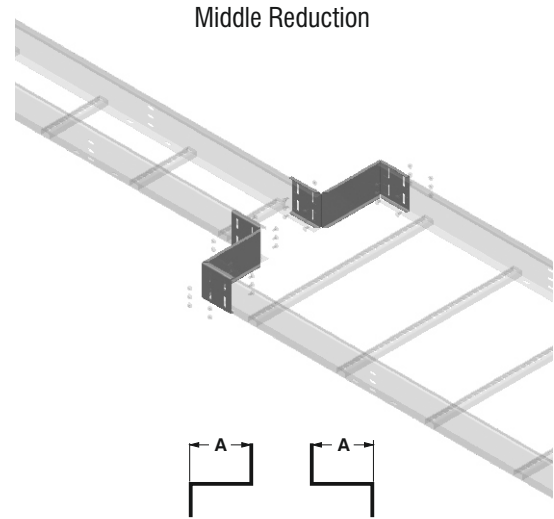
■ Please contact us for special size.

■ Material weights may vary by ± 10%

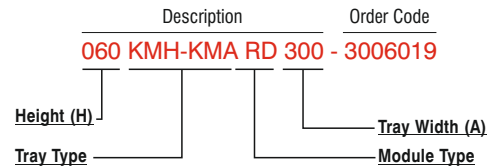
►► KMH-KMA MIDDLE REDUCTION

Hot Dip Galvanized (TS EN ISO 1461)

Description	H (mm)	A (mm)	T (mm)	Weight (kg/set)	Order Code
40 KMH-KMA RD 25	40	25	2	0,411	3006059
40 KMH-KMA RD 50	40	50	2	0,464	3006057
40 KMH-KMA RD100	40	100	2	0,568	3006055
40 KMH-KMA RD150	40	150	2	0,673	3006053
40 KMH-KMA RD200	40	200	2	0,777	3006051
40 KMH-KMA RD250	40	250	2	0,882	3006049
40 KMH-KMA RD300	40	300	2	0,986	3006047
50 KMH-KMA RD 25	50	25	2	0,488	3006045
50 KMH-KMA RD 50	50	50	2	0,550	3006043
50 KMH-KMA RD100	50	100	2	0,671	3006041
50 KMH-KMA RD150	50	150	2	0,792	3006039
50 KMH-KMA RD200	50	200	2	0,913	3006037
50 KMH-KMA RD250	50	250	2	1,036	3006035
50 KMH-KMA RD300	50	300	2	1,157	3006033
60 KMH-KMA RD 25	60	25	2	0,548	3006031
60 KMH-KMA RD 50	60	50	2	0,616	3006029
60 KMH-KMA RD100	60	100	2	0,755	3006027
60 KMH-KMA RD150	60	150	2	0,893	3006025
60 KMH-KMA RD200	60	200	2	1,034	3006023
60 KMH-KMA RD250	60	250	2	1,173	3006021
60 KMH-KMA RD300	60	300	2	1,311	3006019
75 KMH-KMA RD 25	75	25	2	0,647	3006935
75 KMH-KMA RD 50	75	50	2	0,730	3006933
75 KMH-KMA RD100	75	100	2	0,895	3006931
75 KMH-KMA RD150	75	150	2	1,060	3006929
75 KMH-KMA RD200	75	200	2	1,223	3006927
75 KMH-KMA RD250	75	250	2	1,388	3006925
75 KMH-KMA RD300	75	300	2	1,553	3006923
100 KMH-KMA RD 25	100	25	2	0,838	3006921
100 KMH-KMA RD 50	100	50	2	0,944	3006919
100 KMH-KMA RD100	100	100	2	1,151	3006917
100 KMH-KMA RD150	100	150	2	1,360	3006915
100 KMH-KMA RD200	100	200	2	1,566	3006913
100 KMH-KMA RD250	100	250	2	1,775	3006911
100 KMH-KMA RD300	100	300	2	1,982	3006909



Sample Order:
 Height (H): 60 mm,
 Tray Width (A): 300 mm,
 Sheet Metal Thickness (T): 2 mm,
 Type of Coating (S): Hot Dip Galvanized,
 Module Type: Reduction



Description	H (mm)	A (mm)	T (mm)	Weight (kg/set)	Order Code
125 KMH-KMA RD 25	125	25	2	1,021	3003346
125 KMH-KMA RD 50	125	50	2	1,146	3003347
125 KMH-KMA RD 100	125	100	2	1,397	3003348
125 KMH-KMA RD 150	125	150	2	1,650	3003349
125 KMH-KMA RD 200	125	200	2	1,901	3003350
125 KMH-KMA RD 250	125	250	2	2,152	3003351
125 KMH-KMA RD 300	125	300	2	2,402	3003352
150 KMH-KMA RD 25	150	25	2	1,192	3003353
150 KMH-KMA RD 50	150	50	2	1,340	3003354
150 KMH-KMA RD 100	150	100	2	1,635	3003355
150 KMH-KMA RD 150	150	150	2	1,927	3003356
150 KMH-KMA RD 200	150	200	2	2,222	3003357
150 KMH-KMA RD 250	150	250	2	2,517	3003358
150 KMH-KMA RD 300	150	300	2	2,812	3003359

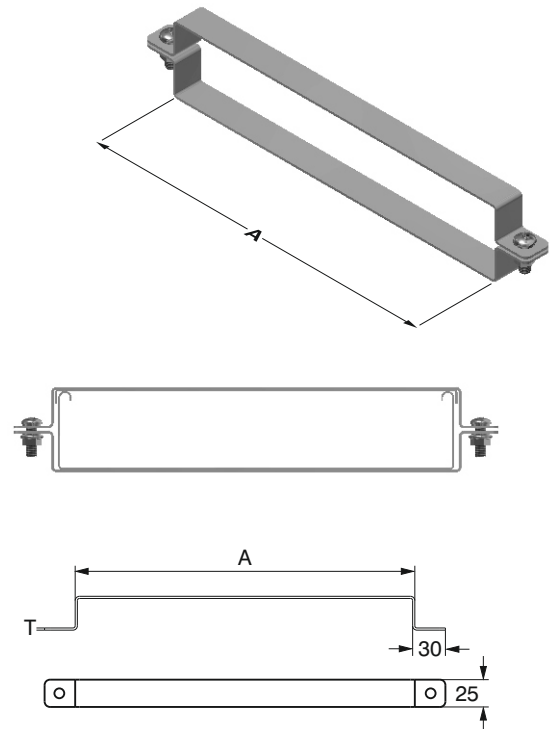
- Please indicate order code in your orders.
- Please contact us for special size.
- Material weights may vary by ± 10%

►► KMH-KMA OMEGA CLAMP

Hot Dip Galvanized (TS EN ISO 1461)

Description	A	T (mm)	Weight (kg/set)	Order Code
40 KMH-KMA OMEGA CLAMP 50	61	2	0,123	3137730
40 KMH-KMA OMEGA CLAMP 100	111	2	0,167	3137731
40 KMH-KMA OMEGA CLAMP 150	161	2	0,211	3137732
40 KMH-KMA OMEGA CLAMP 200	211	2	0,253	3137733
40 KMH-KMA OMEGA CLAMP 250	261	2	0,297	3137734
40 KMH-KMA OMEGA CLAMP 300	311	2	0,341	3137735
40 KMH-KMA OMEGA CLAMP 400	411	2	0,427	3137736
40 KMH-KMA OMEGA CLAMP 500	511	2	0,513	3137737
40 KMH-KMA OMEGA CLAMP 600	611	2	0,598	3137738
50 KMH-KMA OMEGA CLAMP 50	61	2	0,132	3137739
50 KMH-KMA OMEGA CLAMP 100	111	2	0,176	3137740
50 KMH-KMA OMEGA CLAMP 150	161	2	0,220	3137741
50 KMH-KMA OMEGA CLAMP 200	211	2	0,262	3137742
50 KMH-KMA OMEGA CLAMP 250	261	2	0,306	3137743
50 KMH-KMA OMEGA CLAMP 300	311	2	0,350	3137744
50 KMH-KMA OMEGA CLAMP 400	411	2	0,436	3137745
50 KMH-KMA OMEGA CLAMP 500	511	2	0,521	3137747
50 KMH-KMA OMEGA CLAMP 600	611	2	0,607	3137748
60 KMH-KMA OMEGA CLAMP 100	111	2	0,185	3137795
60 KMH-KMA OMEGA CLAMP 150	161	2	0,229	3137796
60 KMH-KMA OMEGA CLAMP 200	211	2	0,271	3137797
60 KMH-KMA OMEGA CLAMP 250	261	2	0,315	3137798
60 KMH-KMA OMEGA CLAMP 300	311	2	0,356	3137799
60 KMH-KMA OMEGA CLAMP 400	411	2	0,444	3137800
60 KMH-KMA OMEGA CLAMP 500	511	2	0,530	3137801
60 KMH-KMA OMEGA CLAMP 600	611	2	0,616	3137802
75 KMH-KMA OMEGA CLAMP 100	111	2	0,198	3137803
75 KMH-KMA OMEGA CLAMP 150	161	2	0,240	3137804
75 KMH-KMA OMEGA CLAMP 200	211	2	0,284	3137805
75 KMH-KMA OMEGA CLAMP 250	261	2	0,328	3137806
75 KMH-KMA OMEGA CLAMP 300	311	2	0,370	3137807
75 KMH-KMA OMEGA CLAMP 400	411	2	0,458	3137808
75 KMH-KMA OMEGA CLAMP 500	511	2	0,543	3137809
75 KMH-KMA OMEGA CLAMP 600	611	2	0,629	3137811
100 KMH-KMA OMEGA CLAMP 100	111	2	0,220	3137812
100 KMH-KMA OMEGA CLAMP 150	161	2	0,262	3137813
100 KMH-KMA OMEGA CLAMP 200	211	2	0,306	3137814
100 KMH-KMA OMEGA CLAMP 250	261	2	0,350	3137815
100 KMH-KMA OMEGA CLAMP 300	311	2	0,392	3137816
100 KMH-KMA OMEGA CLAMP 400	411	2	0,477	3137817
100 KMH-KMA OMEGA CLAMP 500	511	2	0,565	3137818
100 KMH-KMA OMEGA CLAMP 600	611	2	0,651	3137819

KMH-KMA Duct Cover Omega Clamp



Note: Bolt set is included in the product delivered.

Description	A	T (mm)	Weight (kg/set)	Order Code
125 KMH-KMA OMEGA CLAMP 100	111	2	0,240	3137820
125 KMH-KMA OMEGA CLAMP 150	161	2	0,284	3137821
125 KMH-KMA OMEGA CLAMP 200	211	2	0,328	3137822
125 KMH-KMA OMEGA CLAMP 250	261	2	0,370	3137823
125 KMH-KMA OMEGA CLAMP 300	311	2	0,414	3137824
125 KMH-KMA OMEGA CLAMP 400	411	2	0,499	3137825
125 KMH-KMA OMEGA CLAMP 500	511	2	0,585	3137826
125 KMH-KMA OMEGA CLAMP 600	611	2	0,673	3137827
150 KMH-KMA OMEGA CLAMP 100	111	2	0,262	3137828
150 KMH-KMA OMEGA CLAMP 150	161	2	0,306	3137829
150 KMH-KMA OMEGA CLAMP 200	211	2	0,350	3137830
150 KMH-KMA OMEGA CLAMP 250	261	2	0,392	3137831
150 KMH-KMA OMEGA CLAMP 300	311	2	0,436	3137832
150 KMH-KMA OMEGA CLAMP 400	411	2	0,521	3137833
150 KMH-KMA OMEGA CLAMP 500	511	2	0,607	3137834
150 KMH-KMA OMEGA CLAMP 600	611	2	0,695	3137835

■ Please indicate order code in your orders.

■ Material weights may vary by ± 10%

■ Please contact us for special size.