



## **E-KABIN D SERIES**

FLOOR STANDING ELECTRICAL ENCLOSURES

FLOOR STANDING ELECTRICAL ENCLOSURES [www.eaeelektrotechnik.com](http://www.eaeelektrotechnik.com)

# INTRODUCTION



## E-Kabin D Series Modular, Indoor, Floor Standing Electrical Enclosures

E-Kabin D Series electrical enclosures are designed to be used in general purpose indoor applications. Their simple design provides functionality and economic solutions for various installations.

Application	: Indoor, dry environment
Protection class	: IP41, IP55
Framework	: 2mm galvanized steel sheet
Paint	: Epoxy-polyester powder paint
Colour	: Standart RAL 7035
Environment class	: According to EN 60721-3-3 IE32
Standards	: IEC 61439-1, IEC 62208 IEC 60529, IEC 62262

# FEATURES

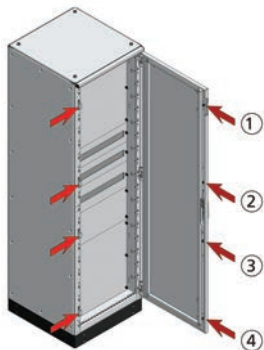
## Modular design

- Front and rear door possibility
- Changeable door opening direction
- Corner module



## Reliable locking system

The lock enables the door to be fixed to the framework from four different points.



## Functional swing handle

The door opens when the swing handle is lifted and rotated upwards. Locking by key is determined by the user. It can be used without locking.



## Protection class IP41

Foam-in-place gasket applied to door does not lose its elasticity in time and provides protection against dust and water

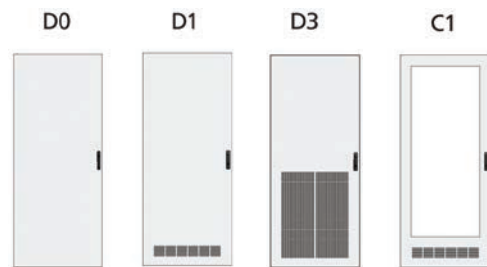


# FEATURES



## Easy electrical assembly

Thanks to robust framework and internal mounting accessories door, back and side panel fixing is carried out after electrical assembly. Internal mounting accessories are designed to be used in all E-Kabin series.



## Cover plate arrangement

In power distribution applications various cover plates accessories can be used to protect against direct contact.



## Wide range of Door Type Options

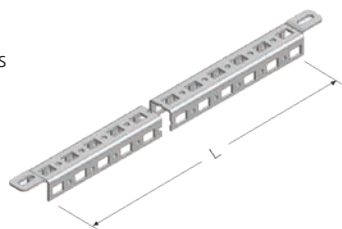
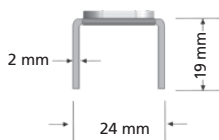
- Useful ventilation grill  
"0"- none / "1"- bottom / "3"- bottom, large  
For 1, 3 protection class is IP41
- Symmetrical design
- Door opening direction can be changed in place  
Safety glass "C"
- Robust glass holders
- Customized door application

# INTERNAL MOUNTING ACCESSORIES

## MA MOUNTING RAIL



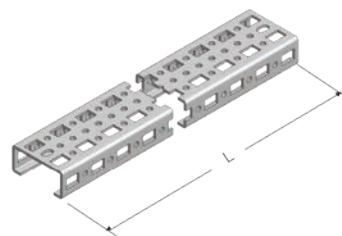
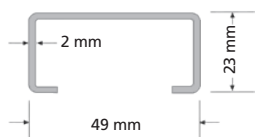
**Supply Contents**  
 - MA Mounting Rail  
 - M5x8mm self-trapping screw 2 pcs



## MB MOUNTING RAIL



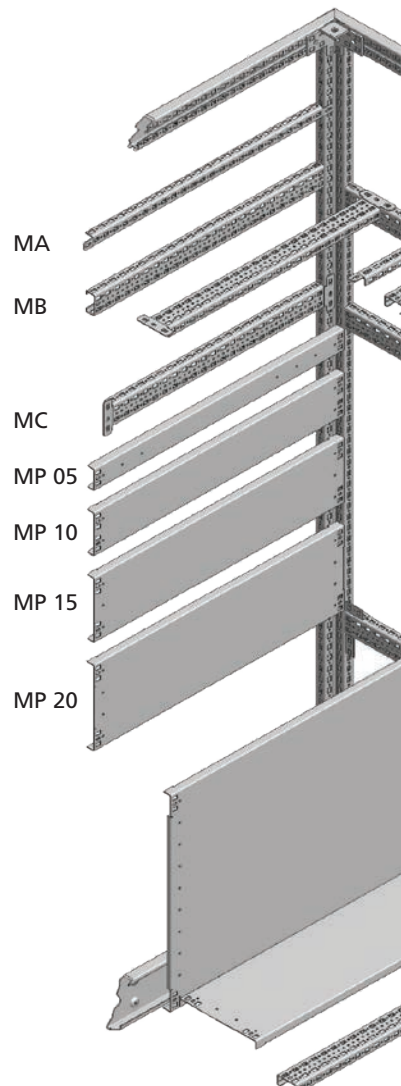
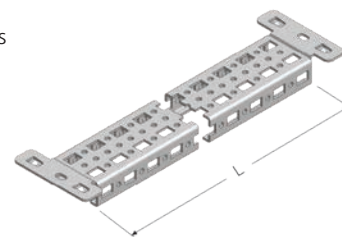
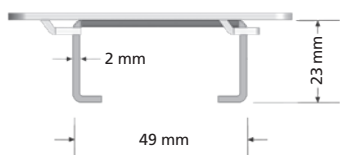
**Supply Contents**  
 - MB Mounting Rail  
 - MBT Fixing Set 1 set



## MC MOUNTING RAIL



**Supply Contents**  
 - MC Mounting Rail  
 - M5x8mm self-trapping screw 2 pcs

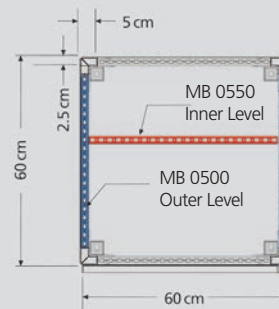
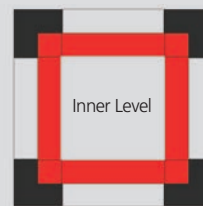


### Product Coding Information

Example: 75cm long MA type mounting rail

Product Code : EG MA 0750  
 Product Series : EG  
 Rail Type : MA, MB, MC  
 Length Coding : 0 7 5 0

Sample Rail Length  
 L = 350 mm : MB 0350  
 L = 1650 mm : MB 1650



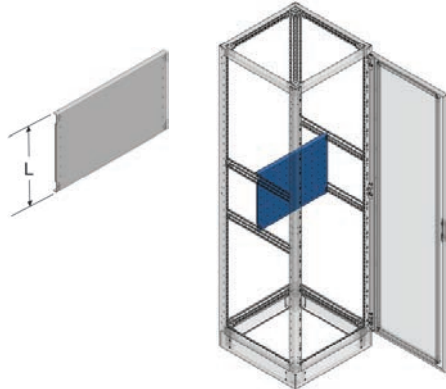
# INTERNAL MOUNTING ACCESSORIES

## MP MOUNTING PLATES

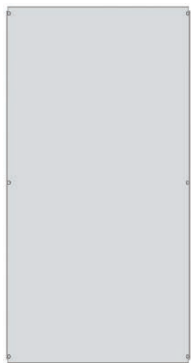


- Supply Contents**  
 - MP Mounting Plate  
 - MBT Fixing Set 2 pcs

For order information please check page 12

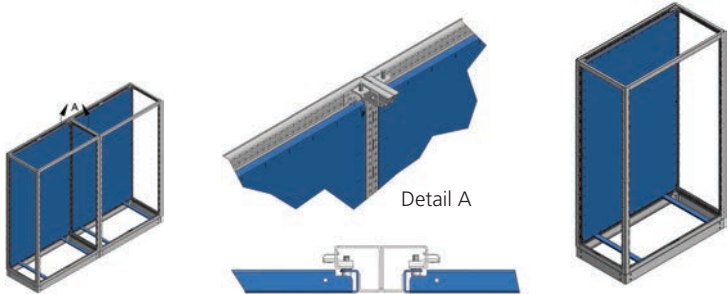


## MK FULL HEIGHT MOUNTING PLATES

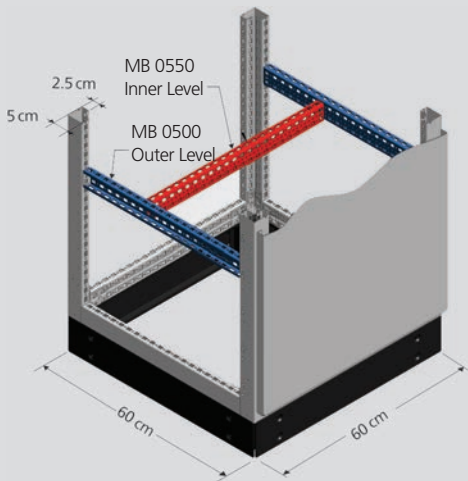


- Supply Contents**  
 - MK Full Height Mounting Plate  
 - MK Fixing Set 1 pcs

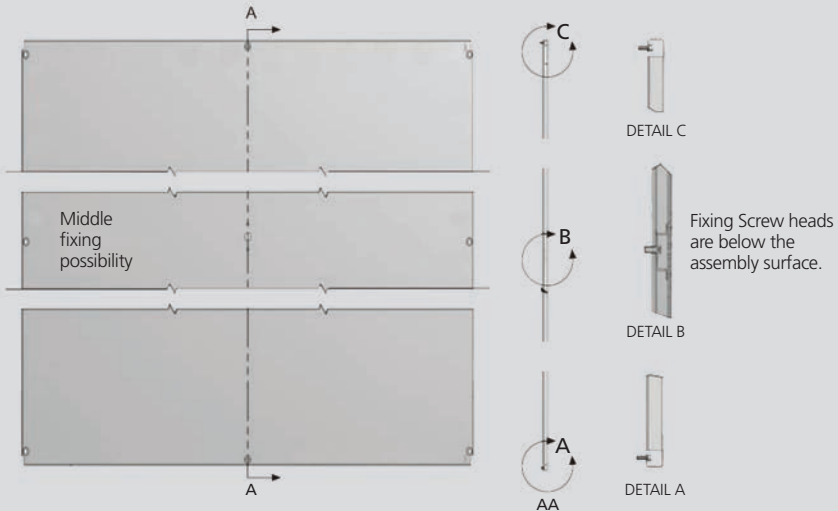
Full height mounting plates fixed to the back vertical profiles. When two enclosures combines together, continuous and flat surface is occurred.



For order codes and dimensions please check page 12

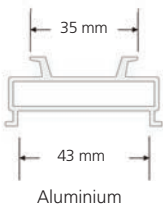


Mounting Plates for 80,100,120 cm width



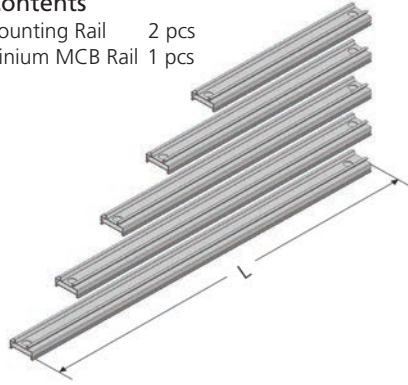
# SPECIAL MOUNTING ACCESSORIES

## RS SPECIAL MOUNTING RAIL



### Supply Contents

- EG RS Mounting Rail 2 pcs
- EG Aluminium MCB Rail 1 pcs



- EG RS 04 (246 mm)
- EG RS 05 (346 mm)
- EG RS 06 (446 mm)
- EG RS 07 (546 mm)
- EG RS 08 (646 mm)

Rated enclosure width codes  
-Inner level dimension-

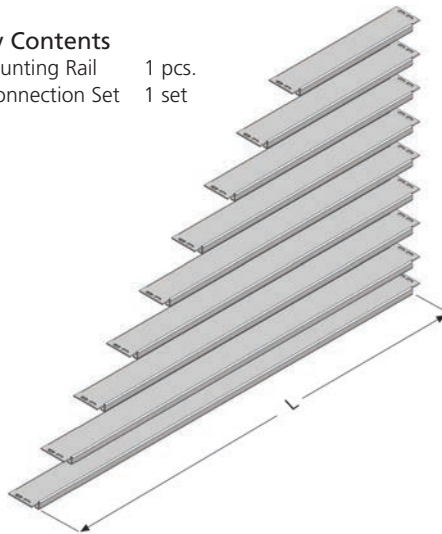


## SP SPECIAL MOUNTING RAIL



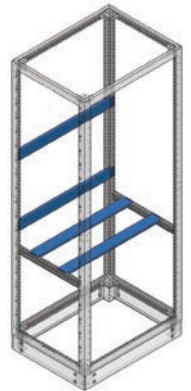
### Supply Contents

- SP Mounting Rail 1 pcs.
- SPT Connection Set 1 set

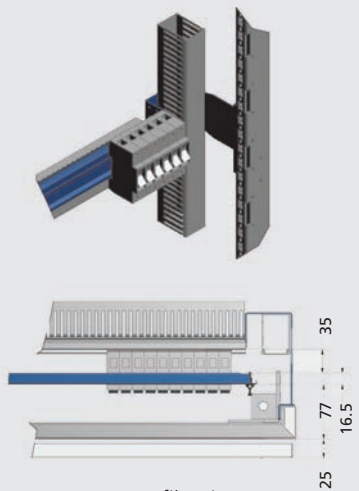


- EG SP 04 (346 mm)
- EG SP 05 (446 mm)
- EG SP 06 (546 mm)
- EG SP 07 (646 mm)
- EG SP 08 (746 mm)
- EG SP 09 (846 mm)
- EG SP 10 (946 mm)
- EG SP 11 (1046 mm)
- EG SP 12 (1146 mm)

Rated enclosure width codes  
-Inner level dimension-

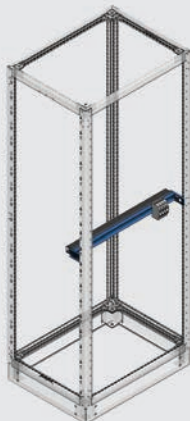


### RS Rail Assembly Example

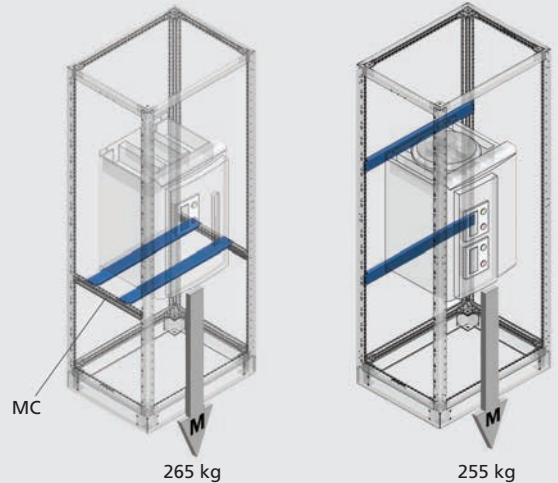


Top Profile View

### RS Rail Assembly Example



### SP Rail Assembly Examples

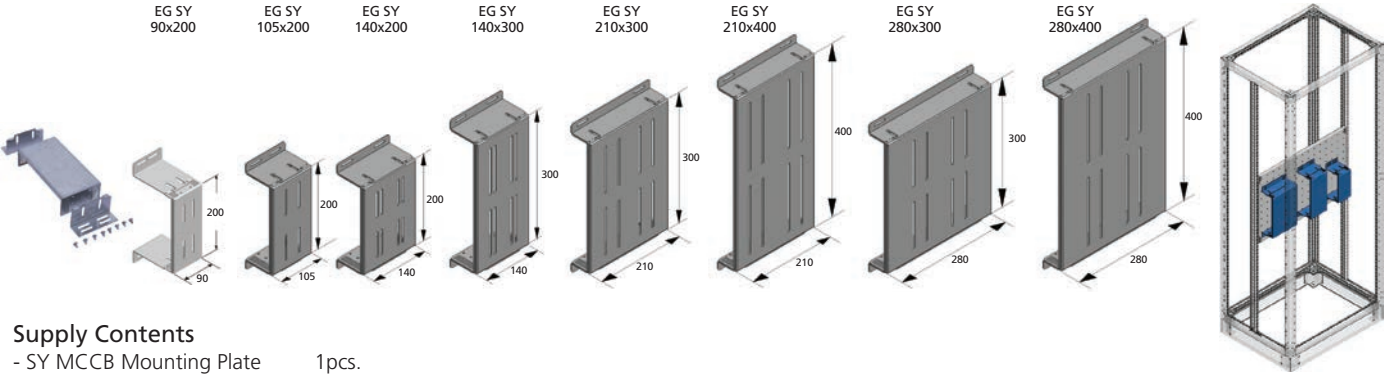


Given values are Static Test Values for 80cm width enclosure.



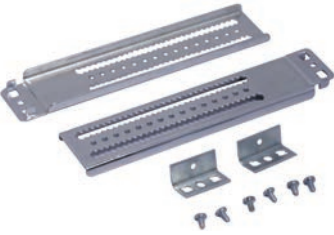
# SPECIAL MOUNTING ACCESSORIES

## SY SPECIAL MOUNTING ACCESSORIES

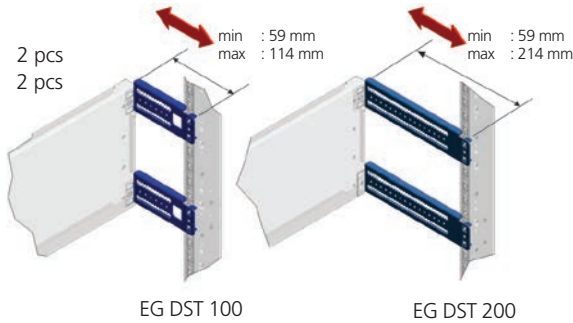
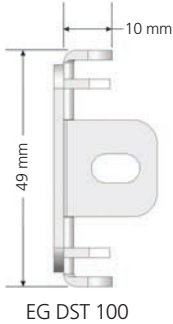


- Supply Contents**
- SY MCCB Mounting Plate 1 pcs.
  - SY MCCB Riser Mounting Set 1 set

## DST SPECIAL FIXING SET

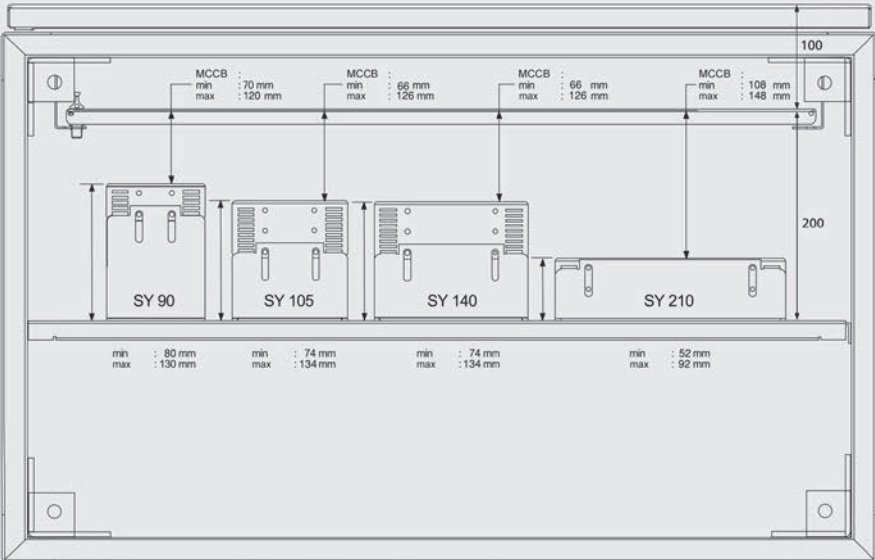


- Supply Contents**
- DST Assembly Fixing Parts 2 pcs
  - DST Connection Set 2 pcs

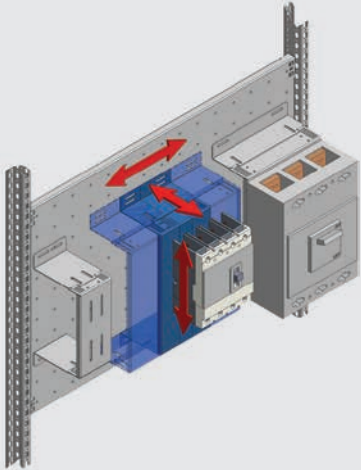


EG DST 100

EG DST 200



## ST Application Example



# COVER PLATES

## OM COVER PLATES (HINGED)

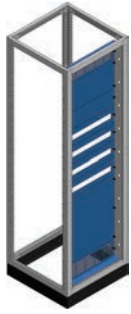
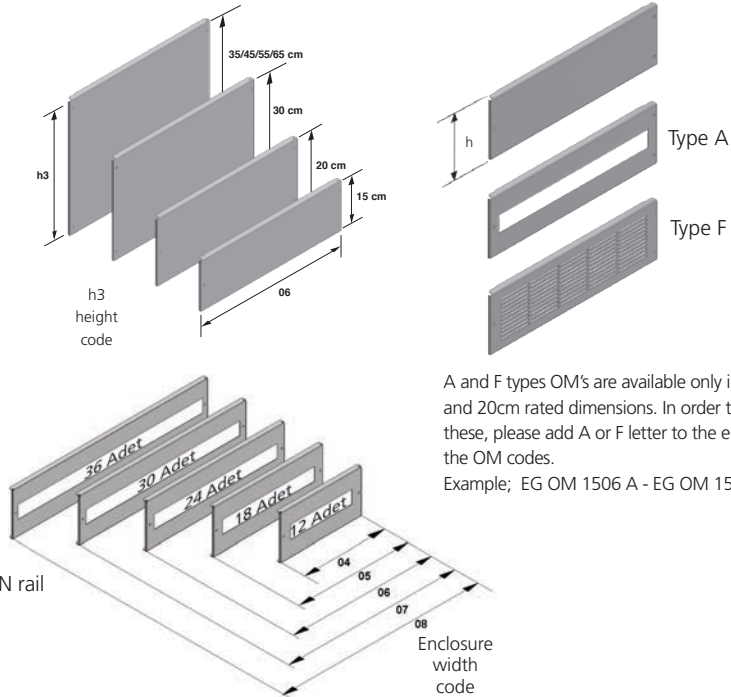


Plate cut-outs are suitable for DIN rail equipments.



A and F types OM's are available only in 15cm and 20cm rated dimensions. In order to order these, please add A or F letter to the end of the OM codes.  
Example; EG OM 1506 A - EG OM 1506 F

For order codes and dimensions please check page 13

## OB FULL HEIGHT COVER PLATE

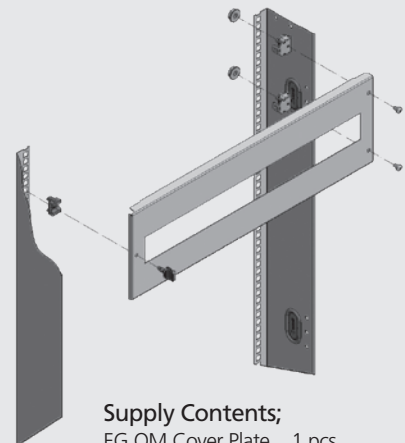
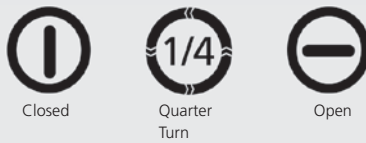
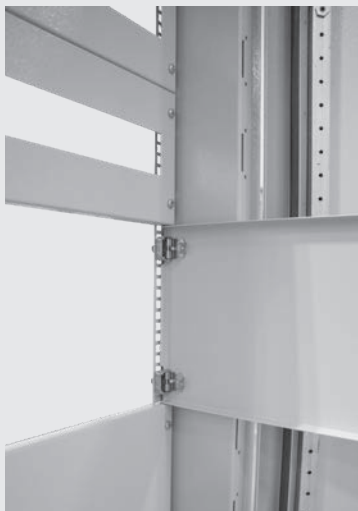


### Supply Contents

- OB Cover Plate
- OBT Connection Set



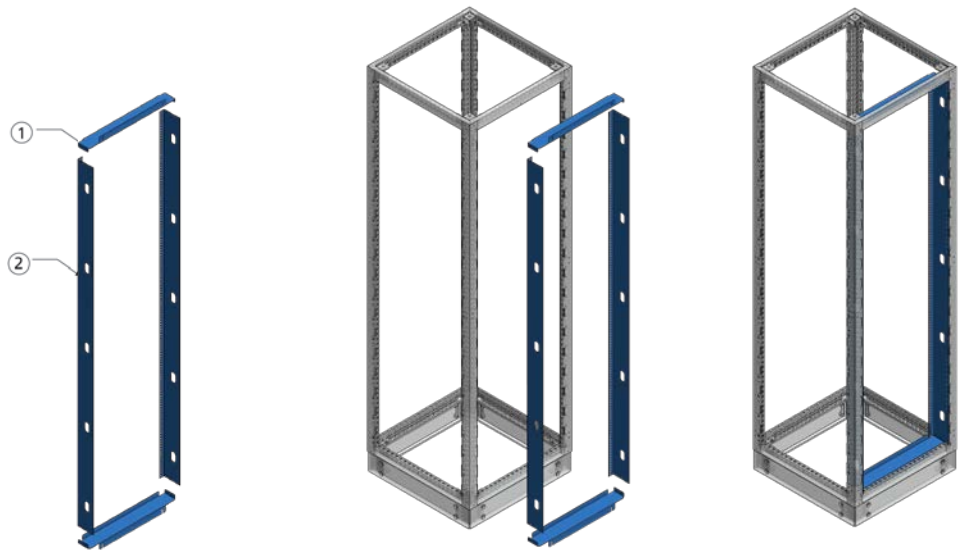
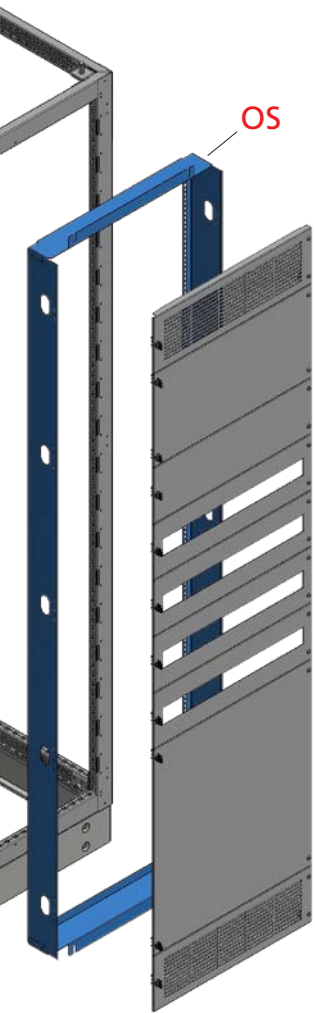
For order codes and dimensions please check page 13



**Supply Contents;**  
EG OM Cover Plate 1 pcs.  
- Connection Set-

# COVER PLATES

## OS FIXED COVER PLATE RAIL SET



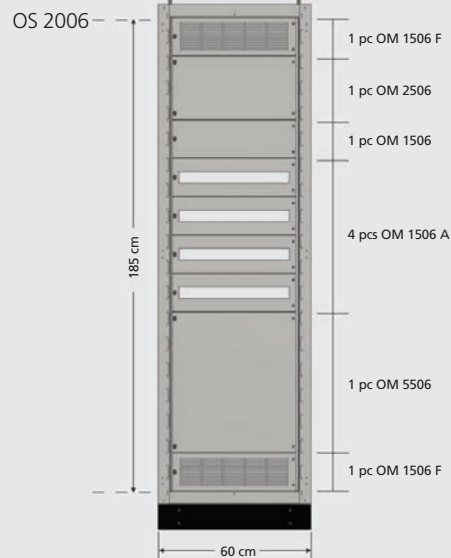
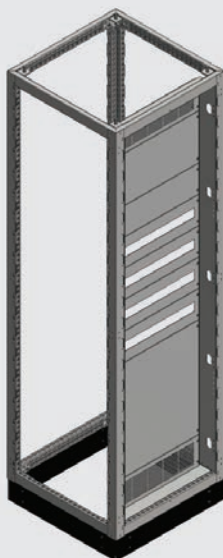
ENCLOSURE RATED HEIGHT	NET HEIGHT OF COVER PLATES WHEN FIXED COVER PLATE RAIL IS USED
180 cm	165 cm
200 cm	185 cm
220 cm	205 cm

### Supply Contents

- ①-OUS Rail 2 pcs
- ②-OPS Rail 2 pcs
- Connection Accessories - 1 set

Distance between door and cover plate is 10cm, please check page 6 - Top Profile View

### Sample Selection



# ORDER CODES

## MS Module Set

Width	Depth				
	40 cm	50 cm	60 cm	70 cm	80 cm
40 cm	ED MS 0404	ED MS 0405	ED MS 0406	ED MS 0407	ED MS 0408
50 cm	ED MS 0504	ED MS 0505	ED MS 0506	ED MS 0507	ED MS 0508
60 cm	ED MS 0604	ED MS 0605	ED MS 0606	ED MS 0607	ED MS 0608
70 cm	ED MS 0704	ED MS 0705	ED MS 0706	ED MS 0707	ED MS 0708
80 cm	ED MS 0804	ED MS 0805	ED MS 0806	ED MS 0807	ED MS 0808
100 cm	ED MS 1004	ED MS 1005	ED MS 1006	ED MS 1007	ED MS 1008
120 cm	ED MS 1204	ED MS 1205	ED MS 1206	ED MS 1207	ED MS 1208

### MS Set Supply Contents

- Horizontal profile (for width) - 4 pcs.
- Horizontal profile (for depth) - 4 pcs.
- Roof Panel - 1 pc.
- Roof Panel Connection Set - 1 pc.
- Corner Fixing Kit - 1 set
- Plinth Set - 1 pc.
- Plinth Connection Set - 1 pc.
- MK Sliding Guide Set - 1 set  
(only for enclosures with overlapping doors module sets)

Note: Supply contents include bottom plate when IP 55 protection class is required for ED series.  
(For Bottom Plate combinations please check ES catalogue page 15)  
Example: ED MS 0506 55

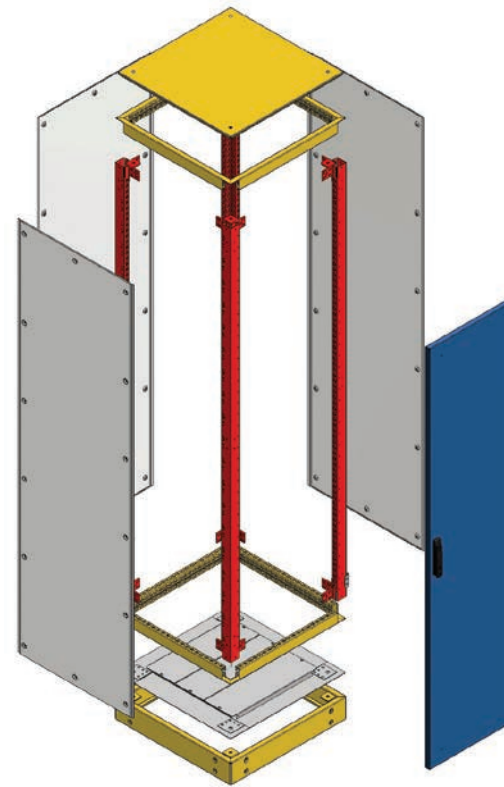
Note: Supply contents do not include bottom plate when IP 41 protection class is required for ED series. Example: ED MS 0506 41

## Module Sets for Enclosures with Overlapping Door

50+50 cm	ED MS 5504	ED MS 5505	ED MS 5506	ED MS 5507	ED MS 5508
60+60 cm	ED MS 6604	ED MS 6605	ED MS 6606	ED MS 6607	ED MS 6608

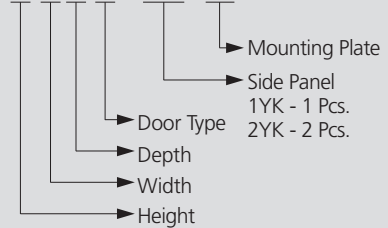
## UK Roof Panel

Width	Depth				
	40 cm	50 cm	60 cm	70 cm	80 cm
40 cm	ES UK 0404	ES UK 0405	ES UK 0406	ES UK 0407	ES UK 0408
50 cm	ES UK 0504	ES UK 0505	ES UK 0506	ES UK 0507	ES UK 0508
60 cm	ES UK 0604	ES UK 0605	ES UK 0606	ES UK 0607	ES UK 0608
70 cm	ES UK 0704	ES UK 0705	ES UK 0706	ES UK 0707	ES UK 0708
80 cm	ES UK 0804	ES UK 0805	ES UK 0806	ES UK 0807	ES UK 0808
100 cm	ES UK 1004	ES UK 1005	ES UK 1006	ES UK 1007	ES UK 1008
120 cm	ES UK 1204	ES UK 1205	ES UK 1206	ES UK 1207	ES UK 1208

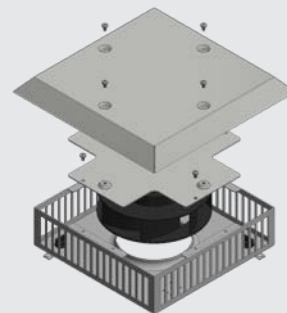


## Entire Enclosure Order Example

ES 20 08 06 D0 + 2YK + MK



## EG FM Fan Module



Note: For ventilation modules technical calculations, information and order codes please contact with your Customer Representative.

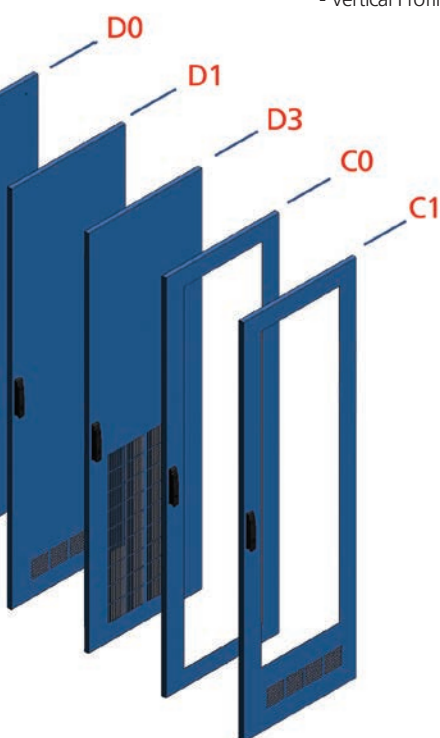
Note: It is not possible to use Fan Modules for 40cm width panels.

# ORDER CODES

## DP Vertical Profile Set

Height		
180 cm	200 cm	220 cm
ED DP 18	ED DP 20	ED DP 22

DP Set supply content  
- Vertical Profile - 4 pcs.



## OK Front Door - D0 Type

Height	Width				
	30 cm	40 cm	50 cm	60 cm	
180 cm	ED OK 1803 D0	ED OK 1804 D0	ED OK 1805 D0	ED OK 1806 D0	
200 cm	ED OK 2003 D0	ED OK 2004 D0	ED OK 2005 D0	ED OK 2006 D0	
220 cm	ED OK 2203 D0	ED OK 2204 D0	ED OK 2205 D0	ED OK 2206 D0	
		70 cm	80 cm	50 + 50 cm	60 + 60 cm
180 cm	ED OK 1807 D0	ED OK 1808 D0	ED OK 1855 D0	ED OK 1866 D0	
200 cm	ED OK 2007 D0	ED OK 2008 D0	ED OK 2055 D0	ED OK 2066 D0	
220 cm	ED OK 2207 D0	ED OK 2208 D0	ED OK 2255 D0	ED OK 2266 D0	

Note: Order codes of other types of front doors can be created by changing last two digits "D0" by desired door type D1-D3-C0-C1.

Note: C0-C1 means tempered glass type doors.



## MA Mounting Rails for In-Door Fixing

Width	Length L	Order Code
40 cm	24,5 cm	EG MA 022
50 cm	34,5 cm	EG MA 032
60 cm	44,5 cm	EG MA 042
70 cm	54,5 cm	EG MA 052
80 cm	64,5 cm	EG MA 062

## SK Fixed Panel

Height	Width				
	40 cm	50 cm	60 cm	70 cm	80 cm
180 cm	EG SK 1804	EG SK 1805	EG SK 1806	EG SK 1807	EG SK 1808
200 cm	EG SK 2004	EG SK 2005	EG SK 2006	EG SK 2007	EG SK 2008
220 cm	EG SK 2204	EG SK 2205	EG SK 2206	EG SK 2207	EG SK 2208

Note: The design of rear and side panels are same.

Height, width and depth dimensions used in the tables are rated values. For actual values please check page 14-15.

## BZ Plinth Set

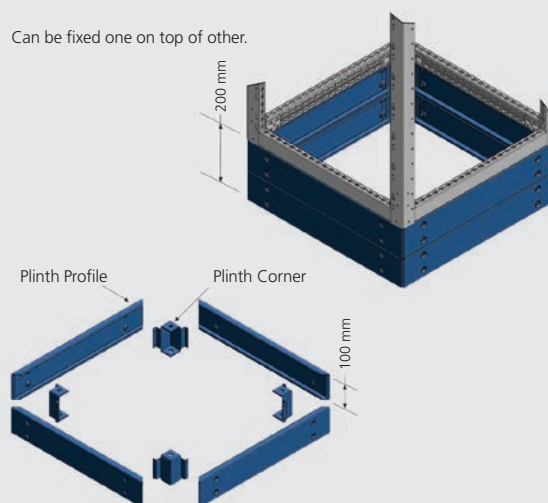
Width	Depth				
	40 cm	50 cm	60 cm	70 cm	80 cm
40 cm	EG BZ 0404	EG BZ 0405	EG BZ 0406	EG BZ 0407	EG BZ 0408
50 cm	EG BZ 0504	EG BZ 0505	EG BZ 0506	EG BZ 0507	EG BZ 0508
60 cm	EG BZ 0604	EG BZ 0605	EG BZ 0606	EG BZ 0607	EG BZ 0608
70 cm	EG BZ 0704	EG BZ 0705	EG BZ 0706	EG BZ 0707	EG BZ 0708
80 cm	EG BZ 0804	EG BZ 0805	EG BZ 0806	EG BZ 0807	EG BZ 0808
100 cm	EG BZ 1004	EG BZ 1005	EG BZ 1006	EG BZ 1007	EG BZ 1008
120 cm	EG BZ 1204	EG BZ 1205	EG BZ 1206	EG BZ 1207	EG BZ 1208

### BZ Plinth Set Supply Contents

- Plinth Corner - 4 pcs.
- Plinth Profile - 4 pcs.
- Connection Bolts

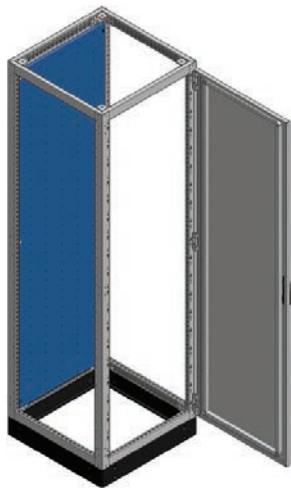
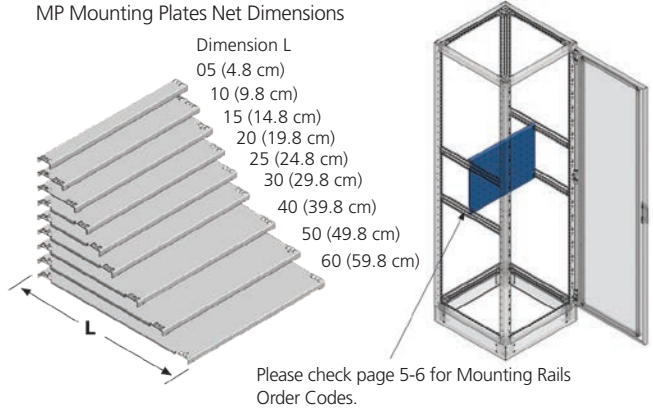
Plinth parts are made of 2mm thick pregalvanized sheet steel and painted with RAL 9005 black colour.

Can be fixed one on top of other.



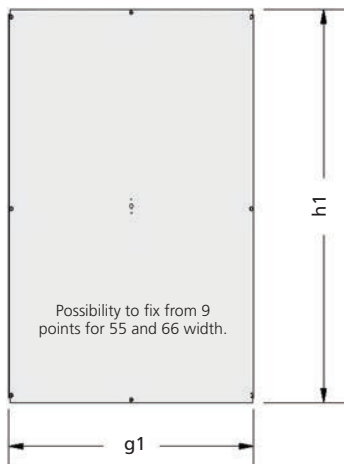
# ORDER CODES AND DIMENSIONS

MP Mounting Plates		Order Codes				
L Rated Dimension	Enclosure Rated Width					
	04	05	06	07	08	
5 cm	EG MP 0504	EG MP 0505	EG MP 0506	EG MP 0507	EG MP 0508	
10 cm	EG MP 1004	EG MP 1005	EG MP 1006	EG MP 1007	EG MP 1008	
15 cm	EG MP 1504	EG MP 1505	EG MP 1506	EG MP 1507	EG MP 1508	
20 cm	EG MP 2004	EG MP 2005	EG MP 2006	EG MP 2007	EG MP 2008	
25 cm	EG MP 2504	EG MP 2505	EG MP 2506	EG MP 2507	EG MP 2508	
30 cm	EG MP 3004	EG MP 3005	EG MP 3006	EG MP 3007	EG MP 3008	
40 cm	EG MP 4004	EG MP 4005	EG MP 4006	EG MP 4007	EG MP 4008	
50 cm	EG MP 5004	EG MP 5005	EG MP 5006	EG MP 5007	EG MP 5008	
60 cm	EG MP 6004	EG MP 6005	EG MP 6006	EG MP 6007	EG MP 6008	



MK Full Height Mounting Plates		Order Codes					
Rated Height	Enclosure Rated Width						
	04	05	06	07	08	10	12
180	EG MK 1804	EG MK 1805	EG MK 1806	EG MK 1807	EG MK 1808	EG MK 1855	EG MK 1866
200	EG MK 2004	EG MK 2005	EG MK 2006	EG MK 2007	EG MK 2008	EG MK 2055	EG MK 2066
220	EG MK 2204	EG MK 2205	EG MK 2206	EG MK 2207	EG MK 2208	EG MK 2255	EG MK 2266

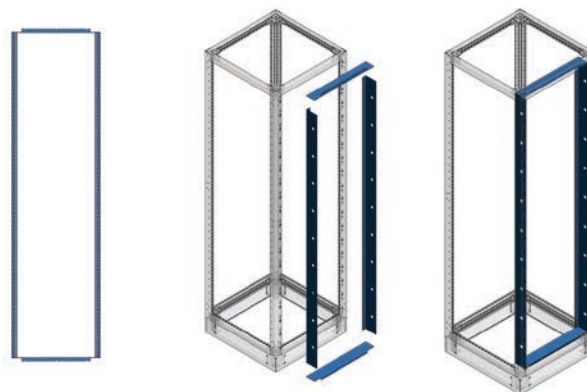
Full height mounting plates can be fixed on rear vertical profiles. If mounting dept should be changed, then Sliding Holder Accessories must be used. Sliding Holder Accessories must be ordered separately



Height	Net dimension h1	Width	Net dimension g1
18	164,5 cm	04	34,6 cm
20	184,5 cm	05	44,6 cm
22	204,5 cm	06	54,6 cm
		07	64,6 cm
		08	74,6 cm
		10	94,6 cm
		12	114,6 cm

# ORDER CODES

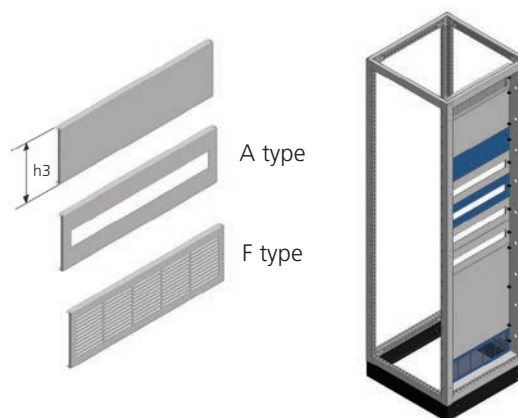
OS Fixed Cover Plate Rail Set					Order Codes
Rated Height	Enclosure rated width				
	04	05	06	07	08
18	EG OS 1804	EG OS 1805	EG OS 1806	EG OS 1807	EG OS 1808
20	EG OS 2004	EG OS 2005	EG OS 2006	EG OS 2007	EG OS 2008
22	EG OS 2204	EG OS 2205	EG OS 2206	EG OS 2207	EG OS 2208



OB Full Height Cover Plates					Order Codes
Rated height	Enclosure rated width				
	04	05	06	07	08
18	EG OB 1804	EG OB 1805	EG OB 1806	EG OB 1807	EG OB 1808
20	EG OB 2004	EG OB 2005	EG OB 2006	EG OB 2007	EG OB 2008
22	EG OB 2204	EG OB 2205	EG OB 2206	EG OB 2207	EG OB 2208

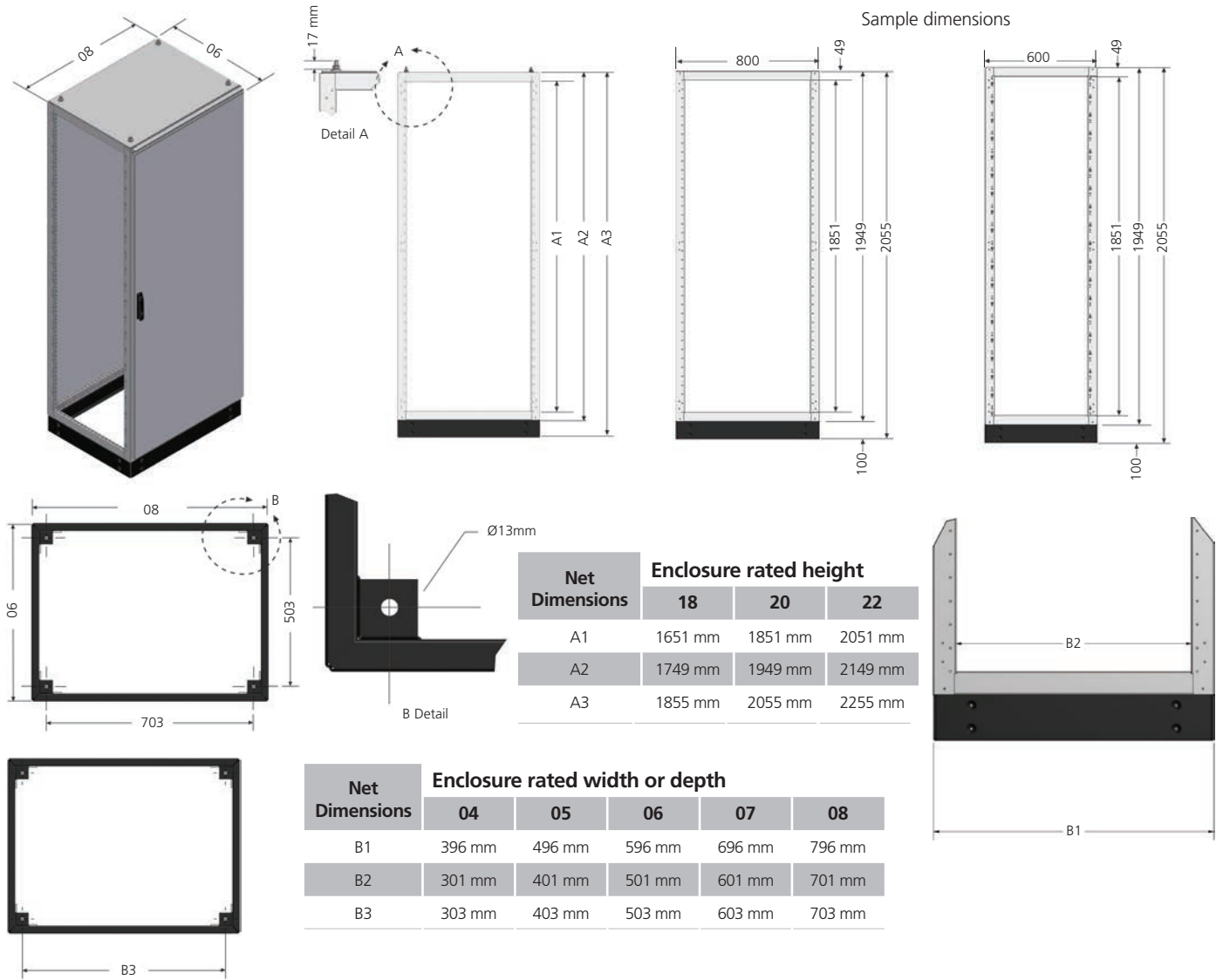


OM Cover Plates (Hinged)					Order Codes
Rated Dimension h3	Enclosure rated width				
	04	05	06	07	08
10	EG OM 1004	EG OM 1005	EG OM 1006	EG OM 1007	EG OM 1008
15	EG OM 1504	EG OM 1505	EG OM 1506	EG OM 1507	EG OM 1508
20	EG OM 2004	EG OM 2005	EG OM 2006	EG OM 2007	EG OM 2008
25	EG OM 2504	EG OM 2505	EG OM 2506	EG OM 2507	EG OM 2508
30	EG OM 3004	EG OM 3005	EG OM 3006	EG OM 3007	EG OM 3008
35	EG OM 3504	EG OM 3505	EG OM 3506	EG OM 3507	EG OM 3508
45	EG OM 4504	EG OM 4505	EG OM 4506	EG OM 4507	EG OM 4508
55	EG OM 5504	EG OM 5505	EG OM 5506	EG OM 5507	EG OM 5508
65	EG OM 6504	EG OM 6505	EG OM 6506	EG OM 6507	EG OM 6508

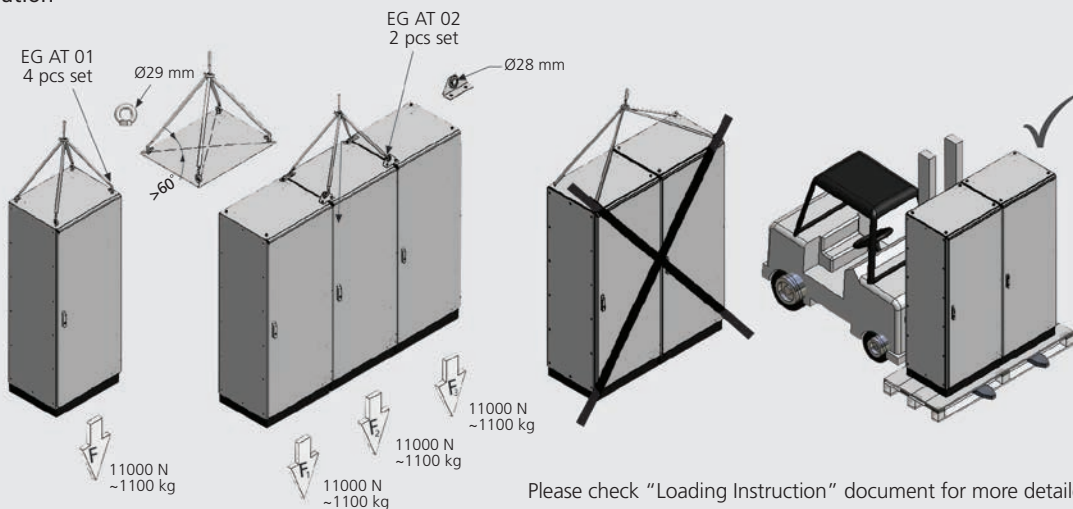


A and F types OM's are available only in 15cm and 20cm rated dimensions. In order to order these, please add A or F letter to the end of the OM codes. Example; EG OM 1506 A - EG OM 1506 F

# DIMENSIONS - LOADING INFORMATION



## Loading Information





# DIMENSIONS



### D0 type front door usage area height dimensions (A4)

Dimension/A4	ES OK 18	ES OK 20	ES OK 22
Net Dimensions	1605 mm	1805 mm	2005 mm

### D0-1-2-3 type front door usage area width dimensions (B4)

Dimension/B4	03	04	05	06	07	08
Net Dimensions	140 mm	240 mm	340 mm	440 mm	540 mm	640 mm

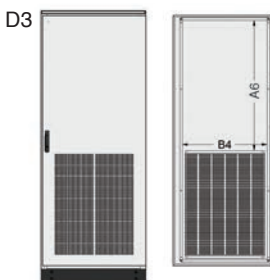
Sample: ES OK 2008 D0



### D1 type front door usage area height dimensions (A5)

Dimension/A5	ES OK 18	ES OK 20	ES OK 22
Net Dimensions	1430 mm	1630 mm	1830 mm

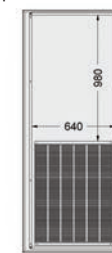
Sample: ES OK 2008 D1



### D3 type front door usage area height dimensions (A7)

Dimension/A7	ES OK 18	ES OK 20	ES OK 22
Net Dimensions	865 mm	980 mm	1095 mm

Sample: ES OK 2008 D3



Ventilation Section Net Area		
Height	Width	OK D1
18/20/22	04	0,0095 m <sup>2</sup>
18/20/22	05	0,0141 m <sup>2</sup>
18/20/22	06	0,0192 m <sup>2</sup>
18/20/22	07	0,0239 m <sup>2</sup>
18/20/22	08	0,0287 m <sup>2</sup>

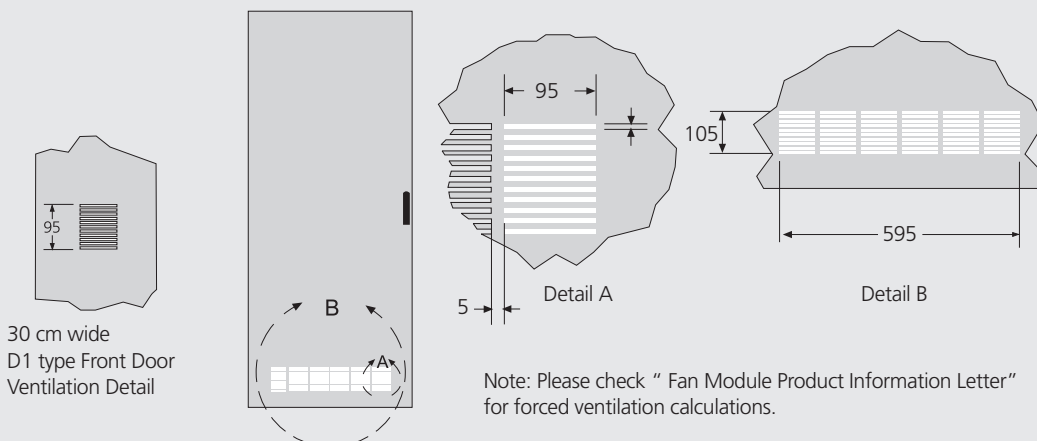
  

Height	Width	OK D3
18	04	0,061 m <sup>2</sup>
18	05	0,092 m <sup>2</sup>
18	06	0,0121 m <sup>2</sup>
18	07	0,153 m <sup>2</sup>
18	08	0,189 m <sup>2</sup>
20	04	0,068 m <sup>2</sup>
20	05	0,104 m <sup>2</sup>
20	06	0,136 m <sup>2</sup>
20	07	0,172 m <sup>2</sup>
20	08	0,208 m <sup>2</sup>
22	04	0,076 m <sup>2</sup>
22	05	0,116 m <sup>2</sup>
22	06	0,152 m <sup>2</sup>
22	07	0,192 m <sup>2</sup>
22	08	0,232 m <sup>2</sup>

### Sample Front Door

ES OK 2008 D1

0,0574 m<sup>2</sup>



**NOTLAR:**

A series of horizontal dotted lines for writing notes.





Please check our website for updated catalogues and certificates.  
[www.eaeelektroteknik.com/en/support-download-center/](http://www.eaeelektroteknik.com/en/support-download-center/)



[www.eaeelektroteknik.com](http://www.eaeelektroteknik.com)

**EAE Elektroteknik A.S.**

İkitelli Organize Sanayi Bölgesi  
Eski Turgut Özal Caddesi  
Ziya Gökalp Mahallesi No: 20  
34490 Basakşehir - İstanbul / TURKEY  
Phone: +90 (212) 549 26 39 (pbx)  
Fax : +90 (212) 549 37 91  
E-mail: [exportsales@eae.com.tr](mailto:exportsales@eae.com.tr)