



E-KABİN H SERIES

OUTDOOR ELECTRICAL ENCLOSURES

OUTDOOR ELECTRICAL ENCLOSURES

www.eaelektrotechnik.com

CONTENTS

HS Serie Modular, Outdoor Floor Standing Enclosures

HS Serie Introduction 2

HS Serie Features 3

HS Serie Dimensions 4

HS Serie Cover Plates 6

HS Serie Internal Mounting Accessories 8

HF Serie Monoblock Outdoor Floor Standing Enclosures

HF Serie Introduction 10

HF Serie Features 11

HF Serie Order Codes - Dimensions 12

HF Serie Cover Plates - Internal Mounting Accessories 13

HM Serie Monoblock, Outdoor Wall Mounted Enclosures

HM Serie Introduction 14

HM Serie Features 15

HM Serie Order Codes - Accessories 16

HM Serie Accessories 17

HM Serie Dimensions 18

HS SERIE INTRODUCTION



HS Serie, Modular, Outdoor, Floor Standing Electrical Enclosures

E-Kabin HS Series Electrical Enclosures are designed for general purpose outdoor electrical applications. They have an extensible structure for multiple combinations.

Application	: Outdoor
Protection class	: IP 55, IP41 based on door type
Paint	: According to ISO 12944-2 high corrosion resistant paint
Color	: Standard RAL 7035
Environment Class	: According to EN 60721 - 3 - 3 IE37
Standard	: IEC 61439-1 IEC 62208 IEC 60529 IEC 62262



Aesthetic Look

Modern exterior outlines, combined with internally accessible side and back panel connections clean surface treatment, provide aesthetic appearance.



Modular Design-side-by-side expandability

Thanks to modular design of framework and roof, expanding side by side is possible to form large combinations.



Optional Eyebolts

Optional eyebolts enable fully loaded enclosure to be lifted up and carried for installation purposes.



IP55 Gasket Protection

Foam-in-place gasket behind the door does not lose its elasticity in time and provides protection against dust and water.



Under Canopy Fan Unit

"Under Canopy Fan Unit" is accessible from inside the enclosure for easy service and maintenance.

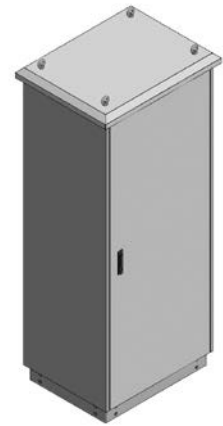


Optional stainless steel lock

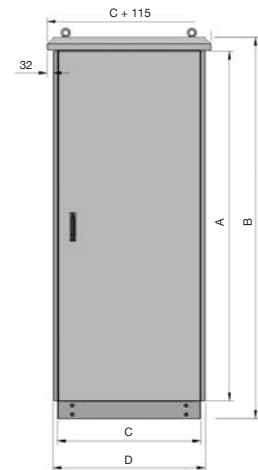
Instead of plastic lock which has high chemical resistance, optional 316 grade stainless steel lock can be ordered.

HS SERIE DIMENSIONS

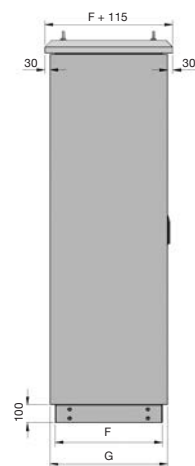
HEIGHT	WIDTH	DEPTH
1800	600	600
2000	700	700
2200	800	800
	1000	
	1200	



ENCLOSURE RATED HEIGHT	A DIMENSION BODY HEIGHT	B DIMENSION EXTERNAL HEIGHT (A+180 mm)
18-1800	1750	1930
20-2000	1950	2130
22-2200	2150	2330

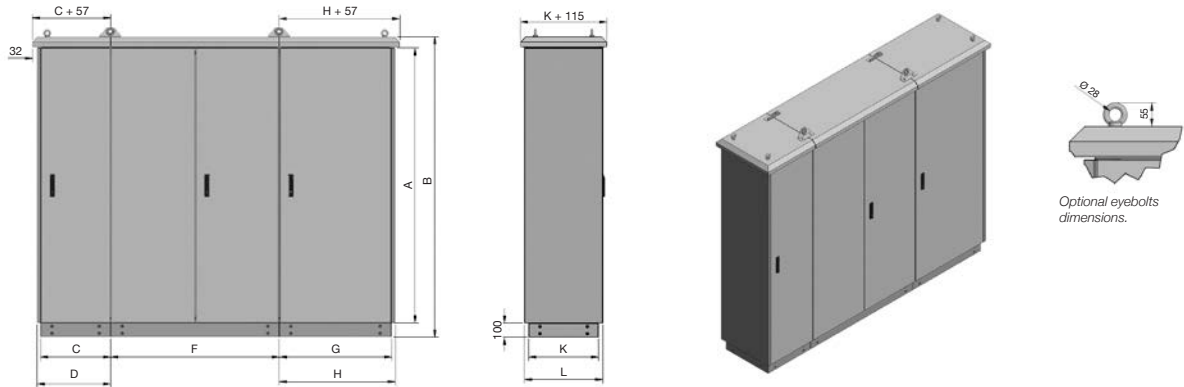


ENCLOSURE RATED WIDTH	C DIMENSION BODY WIDTH	D DIMENSION ENCLOSURE WIDTH, SIDE PANELS INCLUDED (C+50 mm)
04-400 mm	400	450
05-500 mm	500	550
06-600 mm	600	650
08-800 mm	800	850
10-1000 mm	1000	1050
12-1200 mm	1200	1250

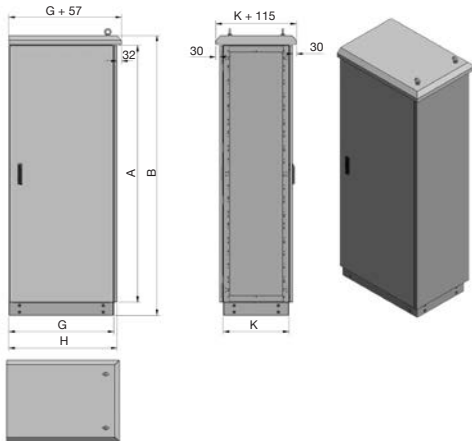


ENCLOSURE RATED DEPTH	F DIMENSION BODY DEPTH	G DIMENSION ENCLOSURE DEPTH, FRONT AND REAR PANELS INCLUDED (F+55 mm)
04-400 mm	400	455
05-500 mm	500	555
06-600 mm	600	655
08-800 mm	800	855

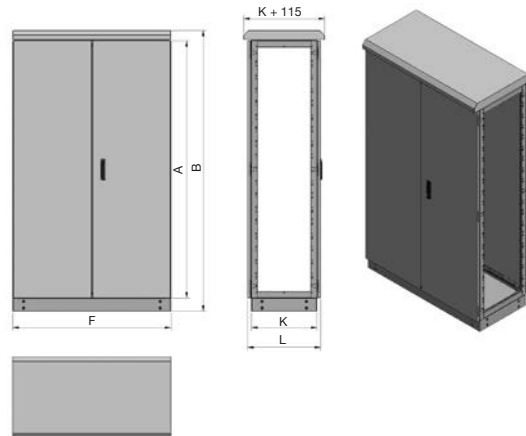
HS SERIE DIMENSIONS



Side Enclosure



Middle Enclosure



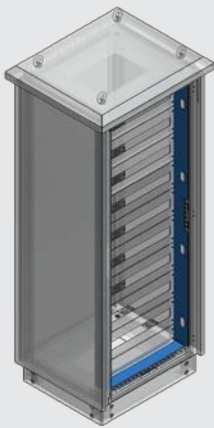
ENCLOSURE RATED HEIGHT	A DIMENSION BODY HEIGHT	B DIMENSION EXTERNAL HEIGHT (A+180 mm)
18-1800	1750	1930
20-2000	1950	2130
22-2200	2150	2330

ENCLOSURE RATED DEPTH	K DIMENSION BODY DEPTH	L DIMENSION ENCLOSURE DEPTH, FRONT AND REAR PANELS INCLUDED (K+55 mm)
04-400 mm	400	455
05-500 mm	500	555
06-600 mm	600	655
08-800 mm	800	855

ENCLOSURE RATED WIDTH	C DIMENSION BODY WIDTH	D DIMENSION ENCLOSURE WIDTH, SIDE PANELS ARE INCLUDED (C+25 mm)	F DIMENSION BODY WIDTH	G DIMENSION BODY WIDTH	H DIMENSION ENCLOSURE WIDTH, SIDE PANELS INCLUDED (G+25 mm)
04-400 mm	400	425	400	400	425
05-500 mm	500	525	500	500	525
06-600 mm	600	625	600	600	625
08-800 mm	800	825	800	800	825
10-1000 mm	1000	1025	1000	1000	1025
12-1200 mm	1200	1225	1200	1200	1225

HS SERIE COVER PLATES

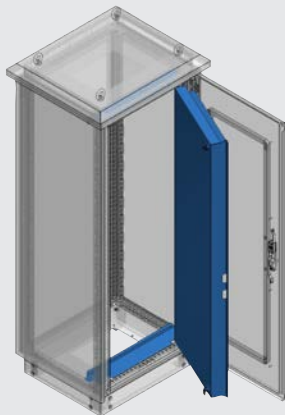
HS OS COVER PROFILES



ENCLOSURE RATED HEIGHT	DIMENSION H
22	2050
20	1850
18	1650

Supply Contents;
 HF OSP Profile 2 pcs
 EG OSU Profile 2 pcs
 -Connection Accessories-

EG OB FULL HEIGHT COVER PLATE



Supply Contents;
 EG OB Full height cover plate 1 pc.
 EG OUB profile 2 pcs.
 -Connection Accessories-

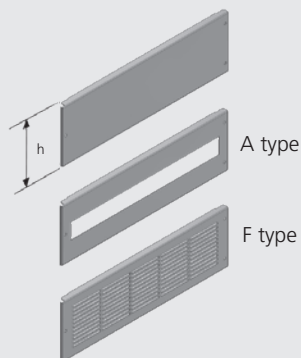
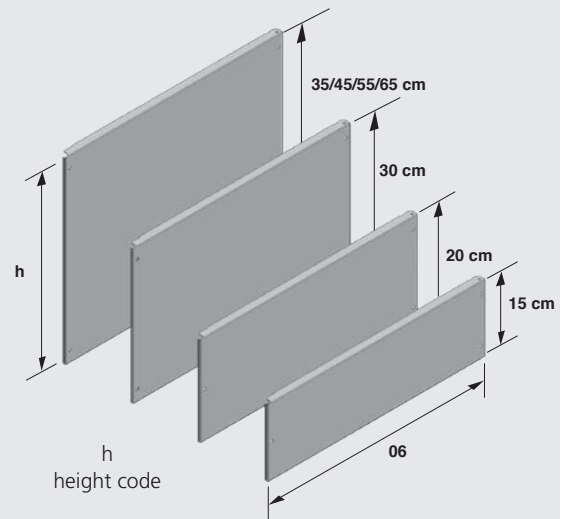
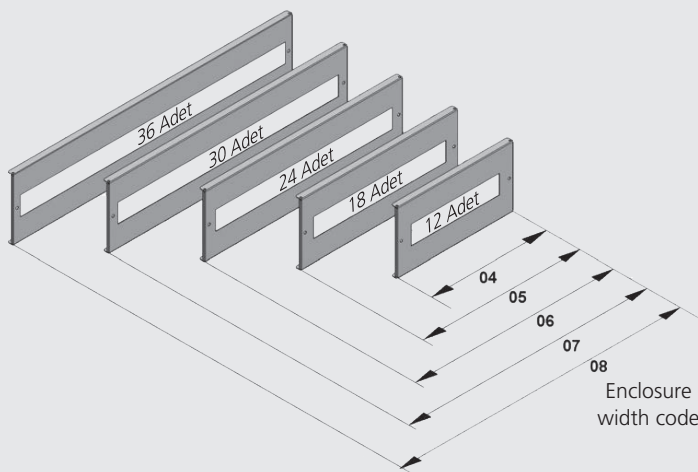
ENCLOSURE RATED HEIGHT	ENCLOSURE RATED WIDTH	SUITABLE FULL HEIGHT COVER PLATE
22	05	EG OB 2205
22	06	EG OB 2206
22	07	EG OB 2207
22	08	EG OB 2208
20	05	EG OB 2005
20	06	EG OB 2006
20	07	EG OB 2007
20	08	EG OB 2008
18	05	EG OB 1805
18	06	EG OB 1806
18	07	EG OB 1807
18	08	EG OB 1808

HS SERIE COVER PLATES

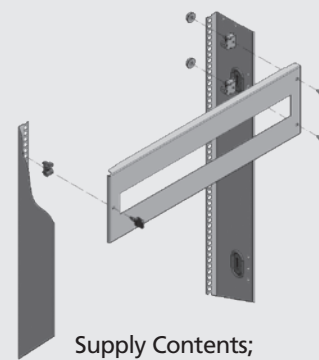
OM COVER PLATES (Hinged)

OM Cover Plates					
h Rated Height	Enclosure rated width				
	04	05	06	07	08
10 cm	EG OM 1004	EG OM 1005	EG OM 1006	EG OM 1007	EG OM 1008
15 cm	EG OM 1504	EG OM 1505	EG OM 1506	EG OM 1507	EG OM 1508
20 cm	EG OM 2004	EG OM 2005	EG OM 2006	EG OM 2007	EG OM 2008
25 cm	EG OM 2504	EG OM 2505	EG OM 2506	EG OM 2507	EG OM 2508
30 cm	EG OM 3004	EG OM 3005	EG OM 3006	EG OM 3007	EG OM 3008
35 cm	EG OM 3504	EG OM 3505	EG OM 3506	EG OM 3507	EG OM 3508
45 cm	EG OM 4504	EG OM 4505	EG OM 4506	EG OM 4507	EG OM 4508
55 cm	EG OM 5504	EG OM 5505	EG OM 5506	EG OM 5507	EG OM 5508
65 cm	EG OM 6504	EG OM 6505	EG OM 6506	EG OM 6507	EG OM 6508

Plate cut-outs are suitable for DIN rail type equipments.



A and F types OM's are available only in 15cm and 20cm rated dimensions. In order to order these, please add A or F letter to the end of the OM codes.
Example; EG OM 1506 A - EG OM 1506 F



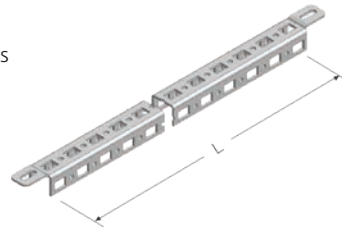
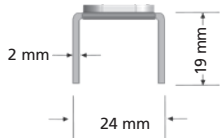
Supply Contents;
EG OM Cover Plate 1 pc.
-Connection Accessories-

HS SERIE INTERNAL MOUNTING ACCESSORIES

MA MOUNTING RAIL



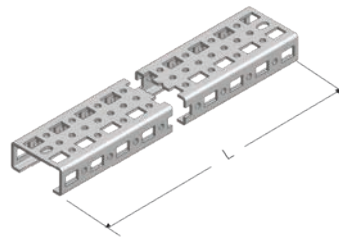
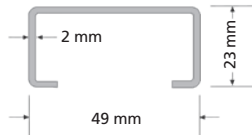
Supply Contents
 - MA Mounting Rail
 - M5x8mm self-trapping screw 2 pcs



MA MOUNTING RAIL



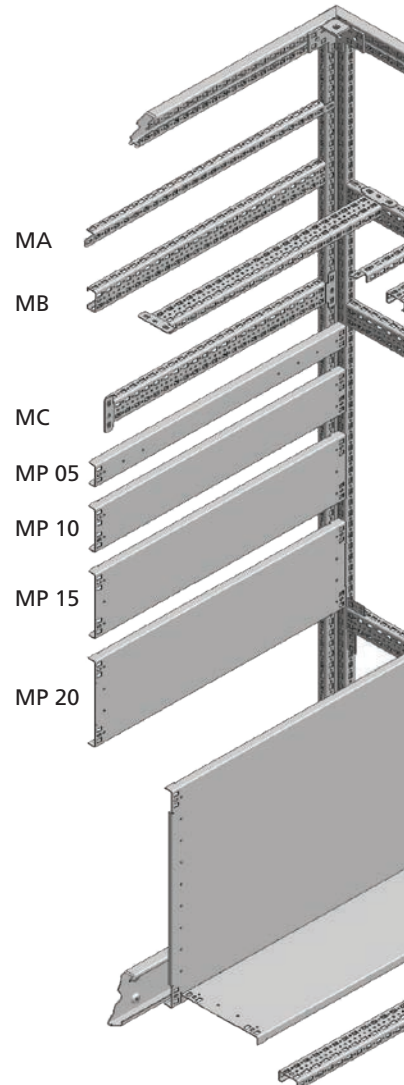
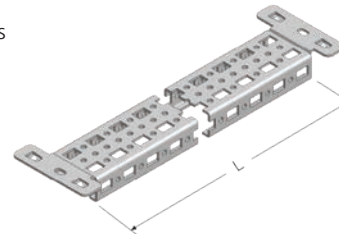
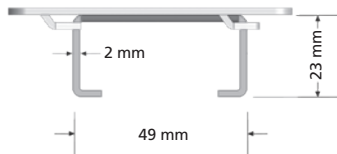
Supply Content
 - MB Mounting Rail
 - MBT Fixing Set 1 set



MC MOUNTING RAIL



Supply Contents
 - MC Mounting Rail
 - M5x8mm self-trapping screw 2 pcs

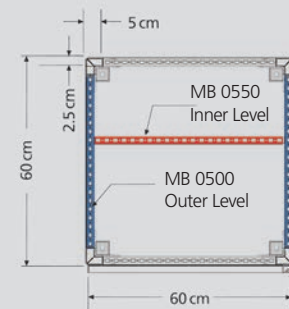
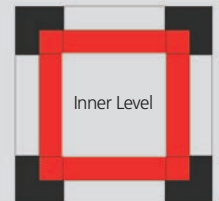


Product Coding Information

Example: 75cm long MA type mounting rail

Product Code : EG MA 0750
 Product Series : EG
 Rail Type : MA, MB, MC
 Length Coding : 0 7 5 0

Sample Profile Length
 L = 350 mm : MB 0350
 L = 1650 mm : MB 1650

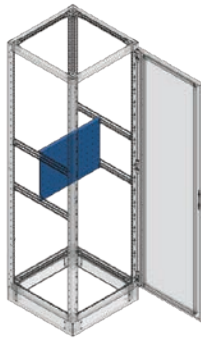


HS SERIE INTERNAL MOUNTING ACCESSORIES

MP MOUNTING PLATES

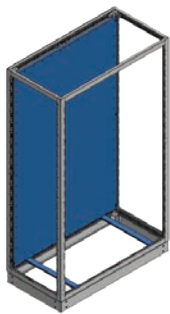
MP Mounting Plates Net Dimensions

- L Dimension
- 05 (4.8 cm)
 - 10 (9.8 cm)
 - 15 (14.8 cm)
 - 20 (19.8 cm)
 - 25 (24.8 cm)
 - 30 (29.8 cm)
 - 40 (39.8 cm)
 - 50 (49.8 cm)
 - 60 (59.8 cm)



MP Mounting Plates					Order Codes
L Rated Dimension	Enclosure Rated Width				
	04	05	06	07	08
5 cm	EG MP 0504	EG MP 0505	EG MP 0506	EG MP 0507	EG MP 0508
10 cm	EG MP 1004	EG MP 1005	EG MP 1006	EG MP 1007	EG MP 1008
15 cm	EG MP 1504	EG MP 1505	EG MP 1506	EG MP 1507	EG MP 1508
20 cm	EG MP 2004	EG MP 2005	EG MP 2006	EG MP 2007	EG MP 2008
25 cm	EG MP 2504	EG MP 2505	EG MP 2506	EG MP 2507	EG MP 2508
30 cm	EG MP 3004	EG MP 3005	EG MP 3006	EG MP 3007	EG MP 3008
40 cm	EG MP 4004	EG MP 4005	EG MP 4006	EG MP 4007	EG MP 4008
50 cm	EG MP 5004	EG MP 5005	EG MP 5006	EG MP 5007	EG MP 5008
60 cm	EG MP 6004	EG MP 6005	EG MP 6006	EG MP 6007	EG MP 6008

MK FULL HEIGHT MOUNTING PLATES



MK Full Height Mounting Plates							Order Codes
Rated Height	Enclosure Rated Width						
	04	05	06	07	08	10	12
180	EG MK 1804	EG MK 1805	EG MK 1806	EG MK 1807	EG MK 1808	EG MK 1855	EG MK 1866
200	EG MK 2004	EG MK 2005	EG MK 2006	EG MK 2007	EG MK 2008	EG MK 2055	EG MK 2066
220	EG MK 2204	EG MK 2205	EG MK 2206	EG MK 2207	EG MK 2208	EG MK 2255	EG MK 2266

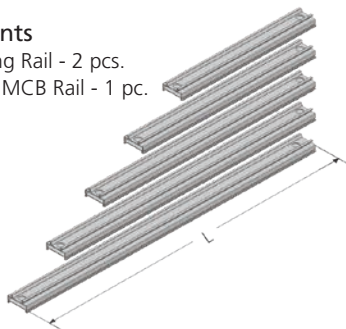
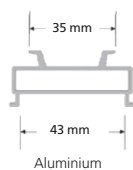
Full height mounting plates can be fixed on rear vertical profiles. If mounting dept should be changed, Sliding Holder Accessories must be used. Sliding Holder Accessories must be ordered separately

RS SPECIAL MOUNTING RAIL



Supply Contents

- EG RS Mounting Rail - 2 pcs.
- EG Aluminium MCB Rail - 1 pc.



- EG RS 04 (246 mm)
- EG RS 05 (346 mm)
- EG RS 06 (446 mm)
- EG RS 07 (546 mm)
- EG RS 08 (646 mm)

Rated enclosure width codes

- Inner level dimension-

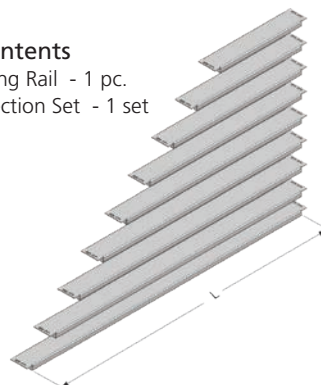
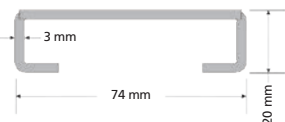


SP SPECIAL MOUNTING RAIL



Supply Contents

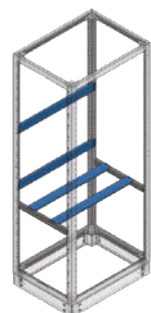
- SP Mounting Rail - 1 pc.
- SPT Connection Set - 1 set



- EG SP 04 (346 mm)
- EG SP 05 (446 mm)
- EG SP 06 (546 mm)
- EG SP 07 (646 mm)
- EG SP 08 (746 mm)
- EG SP 09 (846 mm)
- EG SP 10 (946 mm)
- EG SP 11 (1046 mm)
- EG SP 12 (1146 mm)

Rated enclosure width codes

- Inner level dimension-



Notes: For other special mounting rails please check S Serie Catalogue page 9.

HF SERIE INTRODUCTION



HF Serie, Monoblock, Outdoor, Floor Standing Electrical Enclosures

E-Kabin HS Series Electrical Enclosures are designed for general purpose outdoor electrical applications.

Application	: Outdoor
Protection class	: IP 66
Paint	: High-resistance against corrosion according to ISO 12944-2
Colour	: Standard RAL 7035
Environment class	: Acc. to EN 60721-3-3 – IE37
Standards	: IEC 61439-1 IEC 62208 IEC 60529 IEC 62262



Natural Ventilation Under Canopy

By the technique of the natural ventilation, cold air enters from bottom through inside of the enclosure, hot air rises up and goes outside of the enclosure through grill under canopy.



Lifting Kit

The lifting kit is placed on the roof canopy as standard. By the lifting kit, it is available to lift up and carry the fully loaded enclosure safely and easily.



IP66 Gasket Protection

Foam-in-place gasket behind the door does not lose its elasticity in time and provides protection against dust and water.



Internal mounting accessories

Standard E-Kabin internal mounting accessories, which are designed to meet wide range of installation needs, can be used to install necessary components.



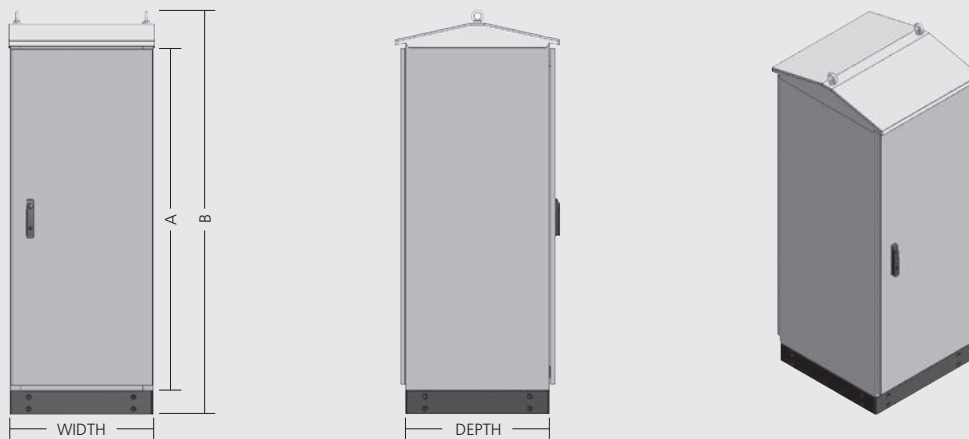
Optional stainless steel lock

Instead of plastic lock which has high chemical resistance, optionally 316 grade stainless steel lock can be ordered.

HF SERIE ORDER CODES - DIMENSIONS

ENCLOSURE RATED HEIGHT	ENCLOSURE WIDTH (mm)	ENCLOSURE RATED DEPTH	ORDER CODES	ENCLOSURE RATED HEIGHT	ENCLOSURE WIDTH (mm)	ENCLOSURE RATED DEPTH	ORDER CODES
16	600	05	HF 16 06 05 MONOBLOCK	20	600	05	HF 20 06 05 MONOBLOCK
	800	05	HF 16 08 05 MONOBLOCK		800	05	HF 20 08 05 MONOBLOCK

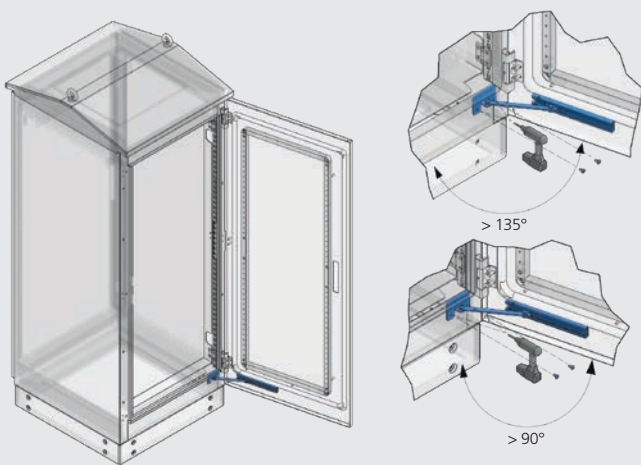
HF MONOBLOCK OUTDOOR ENCLOSURE



STANDARD DIMENSIONS		
HEIGHT	WIDTH	DEPTH
20	05 - 500 mm	05 - 500 mm
16	07 - 700 mm	-

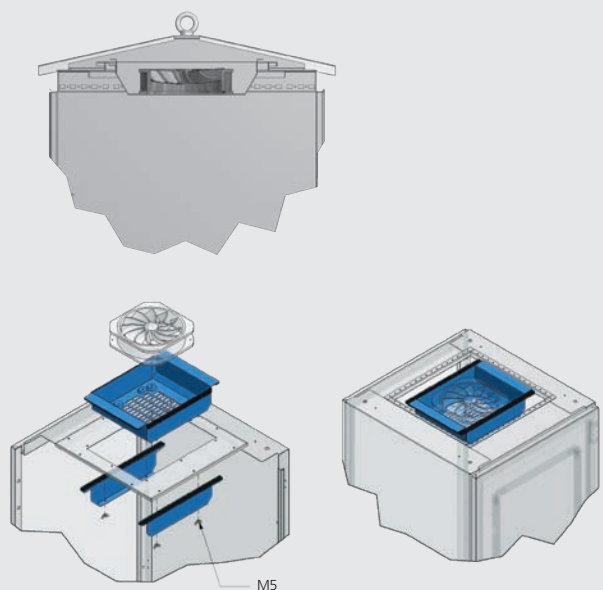
ENCLOSURE RATED HEIGHT	A DIMENSION BODY HEIGHT	B DIMENSION EXTERNAL HEIGHT (With lifting lugs)
20	1950	2185
16	1550	1785

HF KS DOOR STOPPER



Note: For the other accessories, please check other series E-Kabin catalogues.

HF FM FAN MODULE



Note: Fan should be ordered separately. Fan module is not suitable for HF 05 05 dimension and all 04 depth enclosures.

HF SERIE COVER PLATES - INTERNAL MOUNTING ACCESSORIES



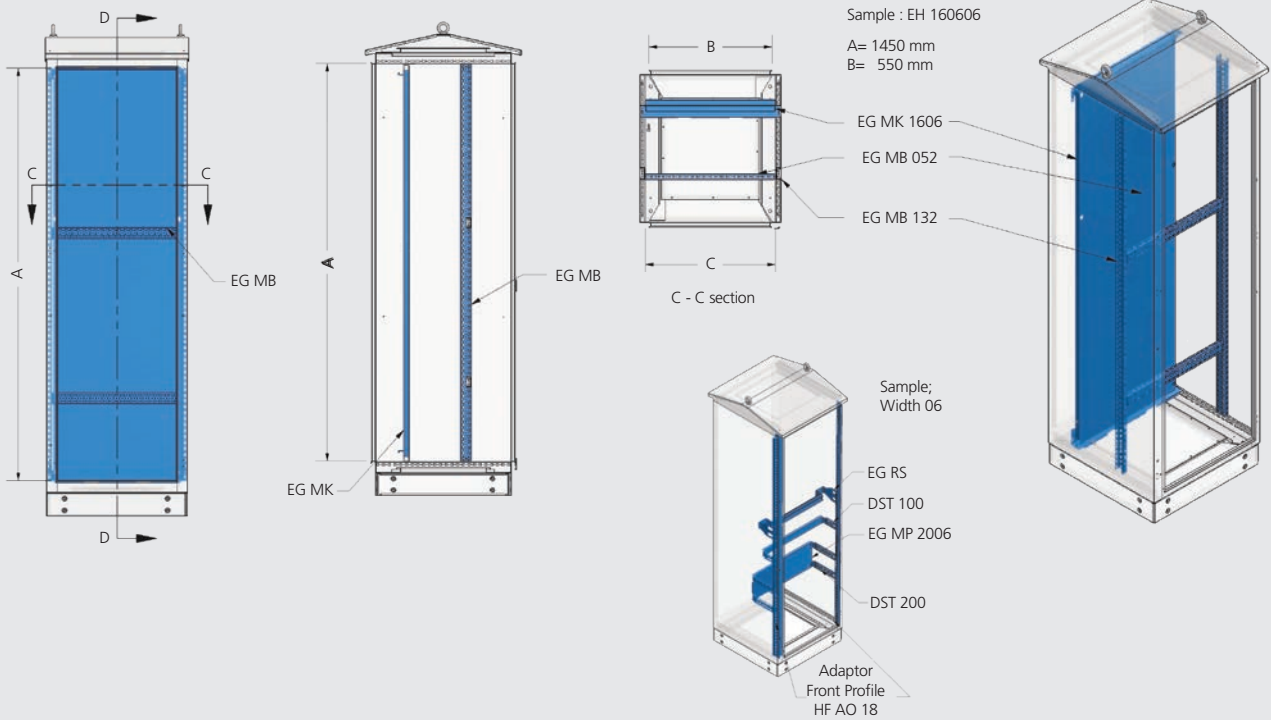
HF OS FIXED COVER PLATE RAIL SET



Supply Contents;
 HF OSP profile 2 pcs
 HF OSU profile 2 pcs
 HF AO profile 2 pcs
 -Connection Accessories-

ENCLOSURE RATED HEIGHT	DIMENSION H
20	1850
16	1450

STANDARD E-KABIN INTERNAL MOUNTING ACCESSORIES



ENCLOSURE RATED HEIGHT	ENCLOSURE RATED WIDTH	A DIMENSION BODY VERTICAL HEIGHT	B DIMENSION INTERNAL INSTALLATION WIDTH	C DIMENSION BODY HORIZONTAL WIDTH	SUITABLE MOUNTING PLATE
20	05	1850	450	400	EG MK 20
16	07	1450	550	600	EG MK 16

HM SERIE INTRODUCTION



HM Serie Monoblock, Outdoor, Wall Mounted Electrical Enclosures

E-Kabin HM Serie electrical enclosures are designed for general purpose electrical applications. Clean and smooth surface appearance has been provided for welded surfaces.

Application	: Outdoor
Protection class	: IP 66
Paint	: High-resistance against corrosion according to ISO 12944-2
Colour	: Standard RAL 7035
Environment class	: Acc. to EN 60721-3-3 – IE37
Standards	: IEC 61439-1 IEC 62208 IEC 60529 IEC 62262



Polyurethane Gasket

Foam-in-place gasket, does not lose its elasticity over time and provides protection against dust and water.



Stainless Steel Hinge

Standard stainless steel hinge body and pin.



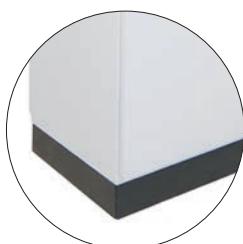
Bracket Accessory

With bracket set, enclosure mounting on the wall can be done easily and quickly. Thanks to 90° swivel feature of the bracket, it's positioning can be chosen either horizontally or vertically. Bracket set is not included in standard supply contents, it should be ordered separately.



Asymmetrical Canopy

It allows the use of bracket for wall mounting. Thanks to their reverse angle edge design above door threshold, rain water flows out of the enclosure.



Base

Optional base is available if it is requested.

HM SERIE ORDER CODES - ACCESSORIES

HEIGHT	WIDTH	DEPTH	ORDER CODES (WITH ASYMMETRICAL CANOPY)
700	500	300	HM 70 50 30
900	600	300	HM 90 60 30
1000	800	400	HM 100 80 40
1200	800	400	HM 120 80 40

Note: Asymmetrical canopy module and mounting plate are included in standard supply contents.

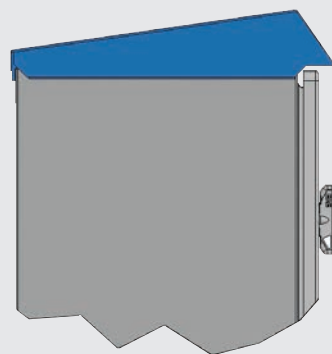
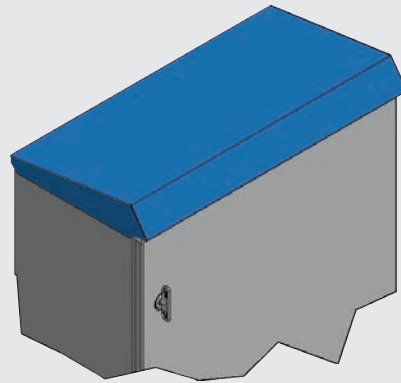
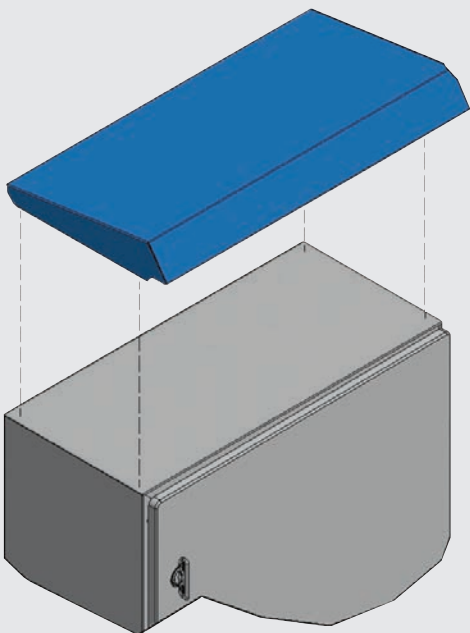
ACCESSORIES

HM ASYMMETRICAL CANOPY

Supply Contents;

HM CM Asymmetrical Canopy 1 pc.
Connection Accessories 1 Set

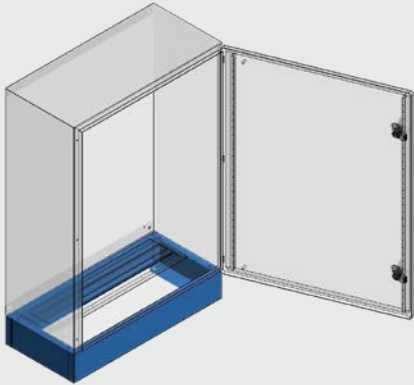
HM Asymmetrical Canopy applications are suitable for Bracket usage.



Sample Code: HM 90 60 30

HM SERIE ACCESSORIES

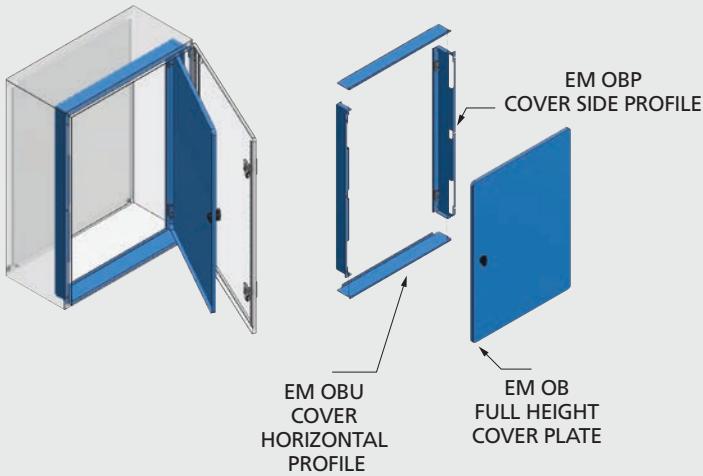
EM BZ PLINTH SET



Supply Contents;
 EM BZ Depth Profile 2 pcs.
 EM BZ Width Profile 2 pcs.
 EM BZ Connection Accessories 1 set

WIDTH	DEPTH	ORDER CODES
500	300	EM BZ 50 30
600	300	EM BZ 60 30
800	400	EM BZ 80 40

EM OB FULL HEIGHT COVER PLATES

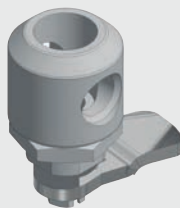


Supply Contents;
 EM OBP Profile 2 pcs.
 EM OBU Profile 2 pcs.
 Full Height Cover Plate 1 pc.
 -Connection Set- 1 Set

ORDER CODE	SUITABLE ENCLOSURE DIMENSIONS
EM OB 70 50	700x500
EM OB 90 60	900x600
EM OB 100 80	1000x800
EM OB 120 80	1200x800

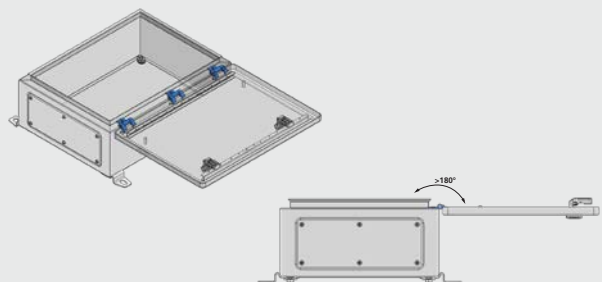
Note: EM DS Depth Adjustment System and EM OB Full Height Cover Plate can not be used together.

LOCK TYPES



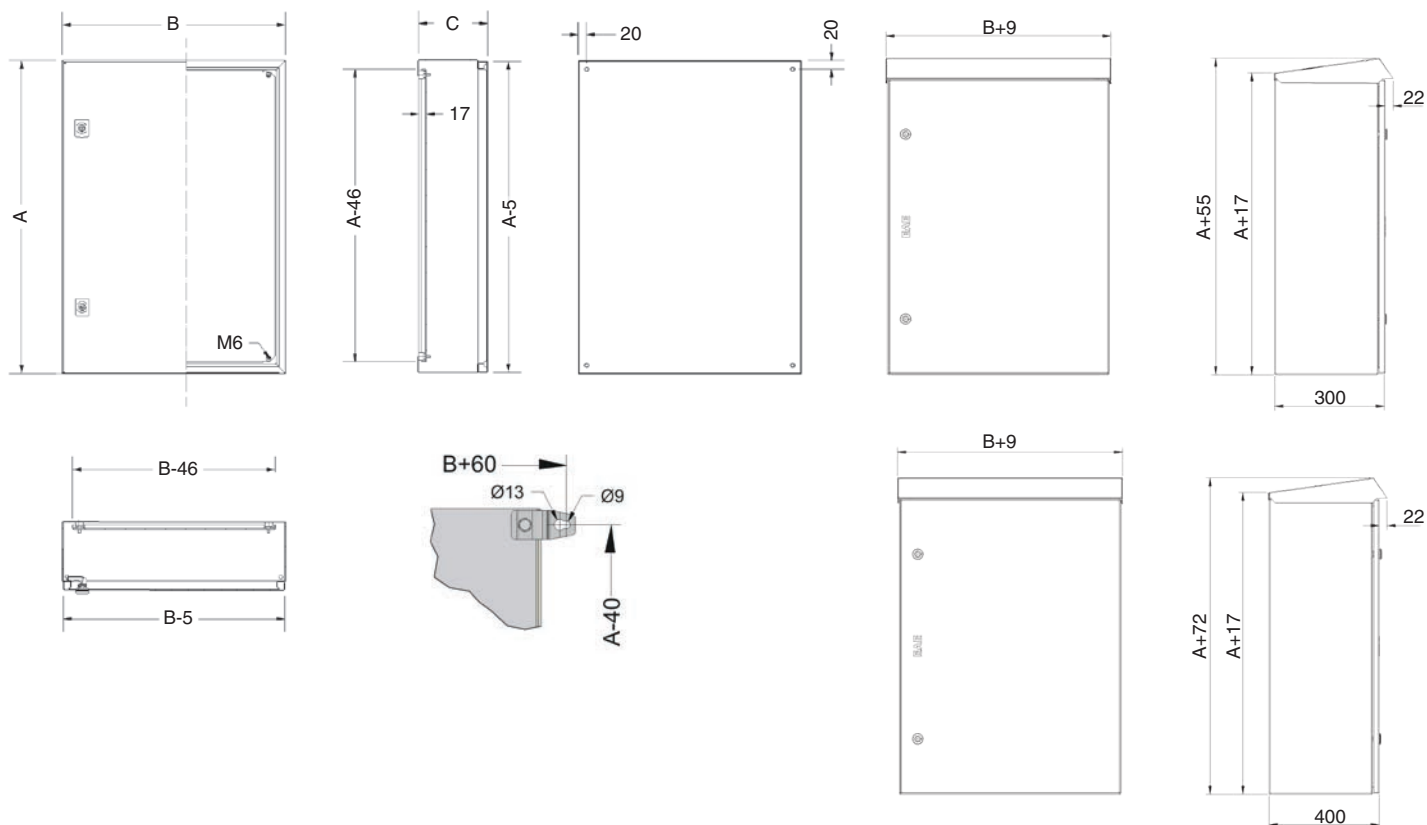
HM KT 13 Metal Lock, suitable for padlocking

180° HINGE SET

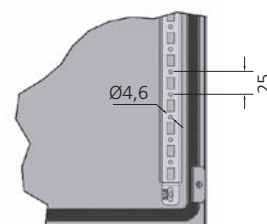
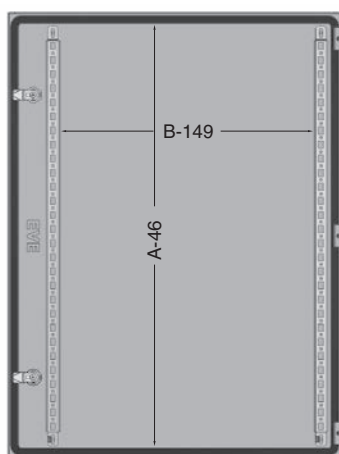


ORDER CODE	DESCRIPTION
EM TA 3M	EM 180 DEGREE TRIPLE HINGE SET

HM SERIE DIMENSIONS



CODES	HEIGHT (A)	WIDTH (B)	DEPTH (C)
HM 70 50 30	700	500	300
HM 90 60 30	900	600	300
HM 100 80 40	1000	800	400
HM 120 80 40	1200	800	400





Please check our website for updated catalogues and certificates.

www.eaelektroteknik.com/en/support-download-center/



www.eaelektroteknik.com

EAE Elektroteknik A.S.

İkitelli Organize Sanayi Bölgesi

Eski Turgut Özal Caddesi

Ziya Gökalp Mahallesi No: 20

34490 Basakşehir - İstanbul / TURKEY

Phone: +90 (212) 549 26 39 (pbx)

Fax : +90 (212) 549 37 91

E-mail: exportsales@eae.com.tr