



# GIZA SCONCE ASYMMETRICAL

Wall Mount Sconce 14 W Spot LED Luminaire

Order Code : 3225850  
Product Code : GZA 014U 40LN00 50 1K4 20 APLK AS FLP



## Product Data

### Standard Features

Housing	: Aluminium Housing
Optic	: 50° Lens + Reflector (Black)
Ceiling Type	: Surface Mounted
IP Grade	: IP20
Installation	: Wall Mounted
Light Source	: Mid Power LED
Electronic Control	: On/Off

### Optical & Electrical Features

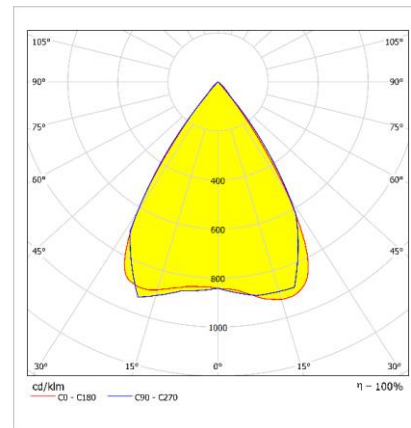
Power Consumption	: 14 W
Final Luminous Flux	: 1376 lm
Efficacy	: 93.95 lm/W
Input Voltage	: 220-240 V AC
Frequency	: 50-60 Hz
Power Factor	: Cos $\phi$ > 0,9
Correlated Color Temperature	: 4000K
Color Rendering Index	: >80

\* There is  $\pm$  10% Tolerance in Technical Values.

### Other Features & Conditions

Operating Temperature Range	: -5 °C / +35 °C
Impact Resistance	: IK03
Led Life Time - L70	: 72.000 hours @Ta= 35 °C

## Photometric Curve



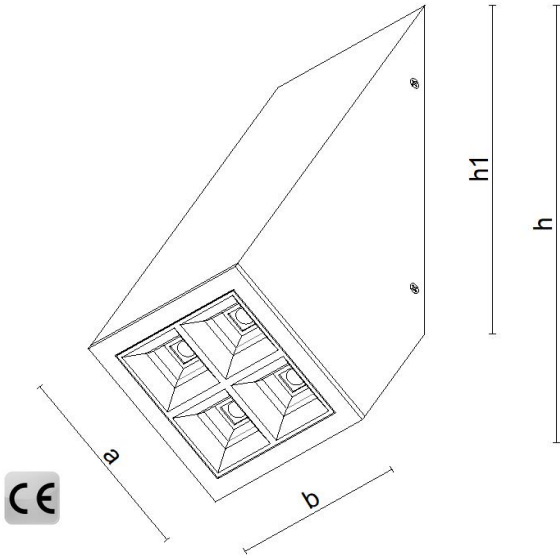
### Optional Features

Correlated Color Temperatures	: 2700K / 3000K / 6500K
Emergency Kit Options	: No
DALI Option	: Yes
Degree Option	: 80°

# GIZA APLIK ASYMMETRICAL

Wall Mount Sconce 14 W Spot LED Luminaire

3225850 GZA 014U 40LN00 50 1K4 20 APLK AS FLP



## Dimensions (mm)

	a	b	h1	h
Standard	100	100	200	275

## Weight (kg)

Standart	1.475
----------	-------

- EAE, reserves the right to make changes without prior notice.

**engineering the light**

EAE Aydınlatma A.Ş.

İkitelli Organize Sanayi Bölgesi Eski Turgut Özal Caddesi No:20 Başakşehir / İSTANBUL-TURKEY

Phone: +90 212 413 21 00 (pbx) Fax: +90 212 549 37 90

www.eaeaydinlatma.com.tr

Revision date: 29.03.2024