



MIDDY

Open Cell 15 W Spot LED Luminaire

Order Code : 3234290
Product Code : MDY 015H 40LN00 60 1K1 20 10*10 FLP



Product Data

Standard Features

Housing	: Aluminum
Diffuser	: 60° Lens
Ceiling Type	: Mesh Tavan
IP Grade	: IP20
Light Source	: SMD LED
Electronic Control	: On / Off

Optical & Electrical Features

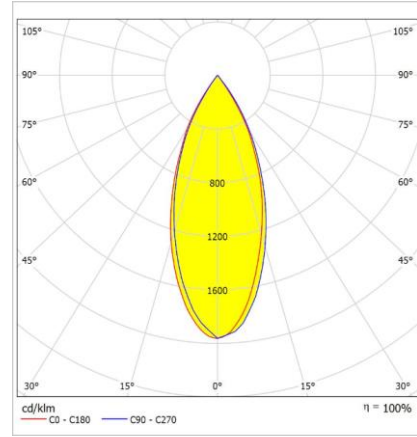
Power Consumption	: 14.8 W
Final Luminous Flux	: 1138.5 lm
Efficacy	: 76.6 lm/W
Input Voltage	: 220-240 V AC
Frequency	: 50-60 Hz
Power Factor	: $\cos \phi > 0,9$
Correlated Color Temperature	: 4000K
Color Rendering Index	: >80

* There is $\pm 10\%$ Tolerance in Technical Values.

Other Features & Conditions

Operating Temperature Range	: $-5\text{ }^{\circ}\text{C} / +35\text{ }^{\circ}\text{C}$
Operating Temperature Range With Emergency Kit	: $+5\text{ }^{\circ}\text{C} / +35\text{ }^{\circ}\text{C}$
Impact Resistance	: IK03
Led Life Time - L70	: 72.000 saat @Ta= 35 °C

Photometric Curve



Optional Features

Correlated Color Temperatures	: 2700K / 3000K / 6500K
Emergency Kit Options	: 1 / 3 hours
DALI Option	: Yes

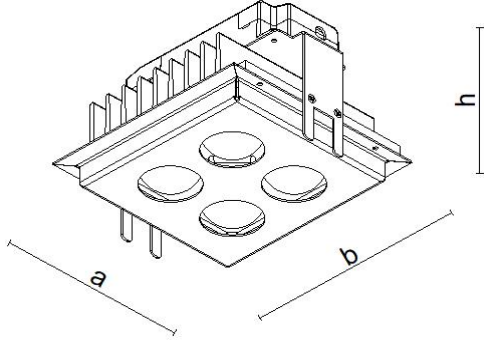
MIDDY

Open Cell 15 W Spot LED Luminaire

3234290 MDY 015H 40LN00 60 1K1 20 10*10 FLP

Dimensions (mm)

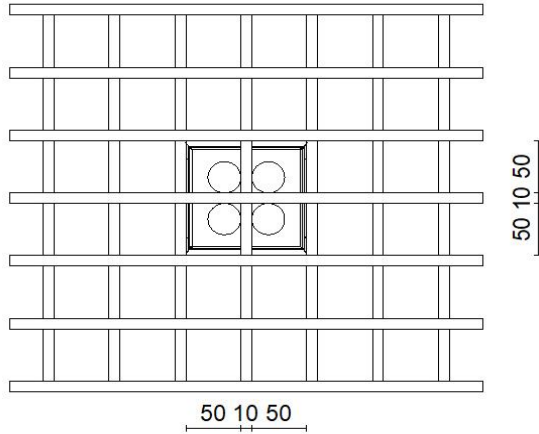
	a	b	h	Cell Ceiling
Standart	115	115	80	50x50



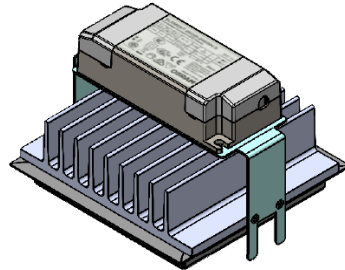
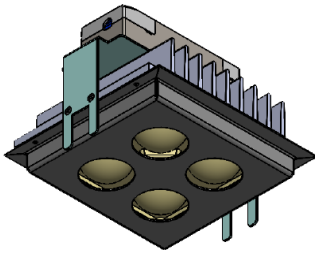
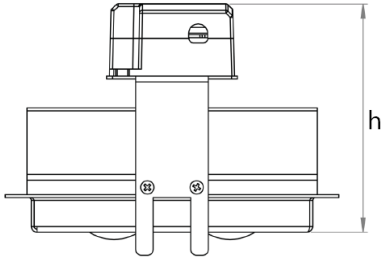
Weight (kg)

Standart	0.600
----------	-------

Cell Ceiling



CE



- EAE, reserves the right to make changes without prior notice.

engineering the light

EAE Aydınlatma A.Ş.
İkitelli Organize Sanayi Bölgesi Eski Turgut Özal Caddesi No:20 Başakşehir / İSTANBUL -TURKEY
Phone: +90 212 413 21 00 (pbx) Fax: +90 212 549 37 90
www.eaeaydinlatma.com.tr

Revision date: 07.11.2022