



WALD V.2 YV

2 W Emergency Lighting LED Luminaire

Order Code : 3338335
Product Code : EXT 002A 65LN02 150 20 WLD V.2 YV FLP



Product Data

Standard Features

Housing	: White Polycarbonate Housing
IP Grade	: IP20
Installation	: Recessed Mounted
Light Source	: Power LED
Emergency Kit Options	: 1 - 3 Hours (Li-FePO4 batarya)
Run Mode	: Non Maintained

Optical & Electrical Features

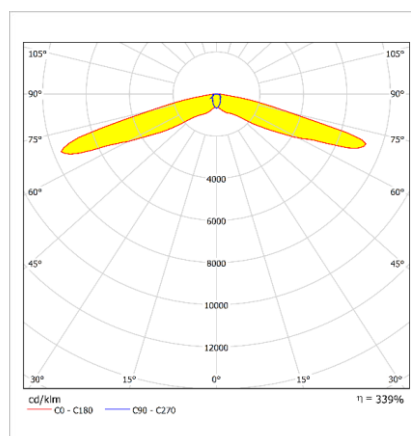
Power Consumption	: 2 W
Final Luminous Flux	: 150 lm
Efficacy	: 75 lm/W
Input Voltage	: 220-240 V AC
Frequency	: 50-60 Hz
Power Factor	: $\cos \phi > 0,9$
Correlated Color Temperature	: 6500K
Color Rendering Index	: >80

* There is $\pm 10\%$ Tolerance in Technical Values.

Other Features & Conditions

Operating Temperature Range With Emergency Kit	: $+10\text{ }^{\circ}\text{C}/+35\text{ }^{\circ}\text{C}$
Impact Resistance	: IK03
Led Life Time - L70	: > 50.000 hours @ $T_a = 35\text{ }^{\circ}\text{C}$

Photometric Curve



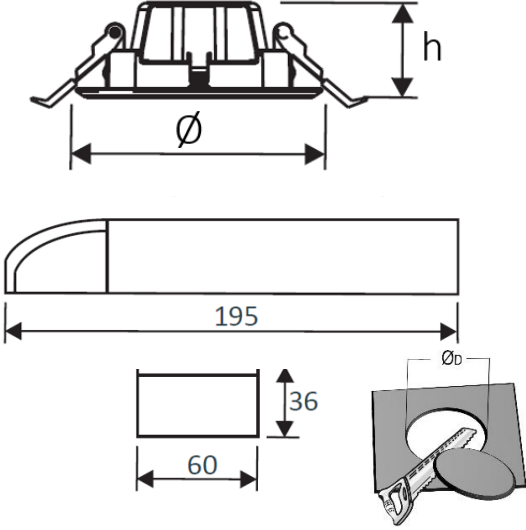
Optional Features

Electronic Control : Self/Test, DALI

WALD v.2 YV

2 W Emergency Lighting LED Luminaire

3338335 EXT 002A 65LN02 150 20 WLD V.2 YV FLP



Dimensions (mm)

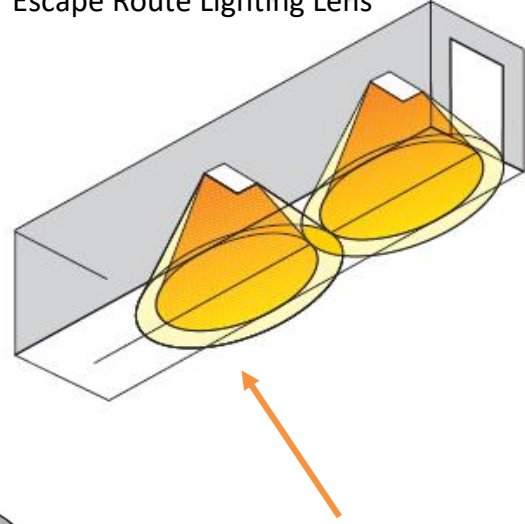
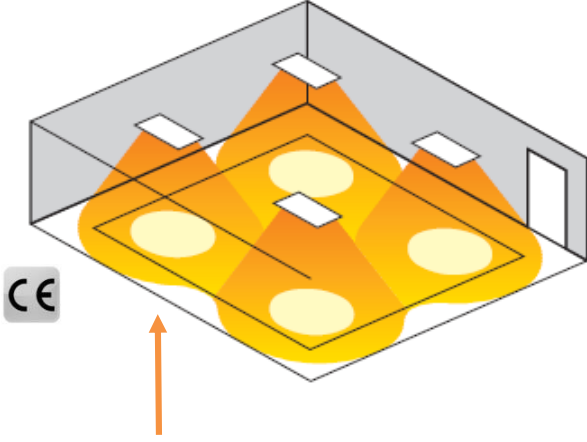
	Ø	h	ØD
Standard	90	36	70

Weight (gr)

Standard	300
----------	-----

Open Area Emergency Lighting

Escape Route Lighting Lens

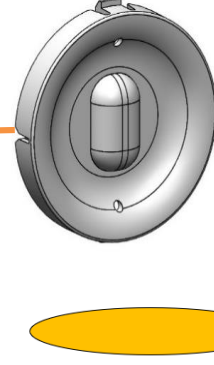
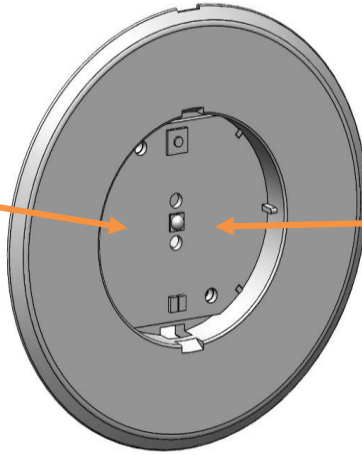


Order Code : 3338341

Product Code : EXT WLD V.2 EXTRA OVAL LENS FLP

Open Area Lighting Lens

Escape Route Lighting Lens



- The device needs to be charged and discharged for 48 hours twice. After the third 48-hour charge, it will run for 3 hours.
- EAE, reserves the right to make changes without prior notice.

engineering the light

EAE Aydınlatma A.Ş.
İkitelli Organize Sanayi Bölgesi Eski Turgut Özal Caddesi No:20 Başakşehir / İSTANBUL-TURKEY
Phone: +90 212 413 21 00 (pbx) Fax: +90 212 549 37 90
www.eaeaydinlatma.com.tr

Revision date: 24.07.2024