



ORI MICRO

Recessed Mounted 3 W Spot LED Luminaire

Order Code : 3340157
Product Code : ORI 003A 40OD00 36 0K3 20 MC YV FLP



Product Data

Standard Features

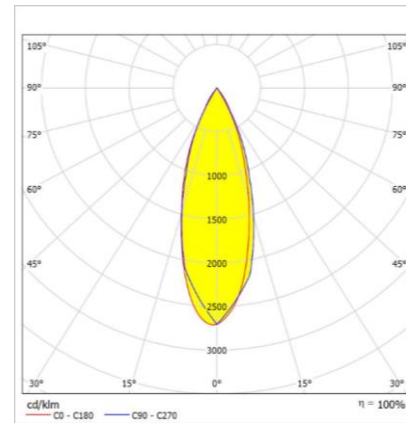
Housing	: Aluminium Housing
Optic	: 36° Reflector
Ceiling Type	: Plasterboard
IP Grade	: IP20
Installation	: Recessed Mounted
Light Source	: COB LED
Electronic Control	: On/Off

Optical & Electrical Features

Power Consumption	: 3 W
Final Luminous Flux	: 303 lm
Efficacy	: 101 lm/W
Input Voltage	: 220-240 V AC
Frequency	: 50-60 Hz
Power Factor	: $\cos \phi > 0,9$
Correlated Color Temperature	: 4000K
Color Rendering Index	: >80

* There is $\pm 10\%$ Tolerance in Technical Values.

Photometric Curve



Other Features & Conditions

Operating Temperature Range	: -5 °C / +35 °C
Impact Resistance	: IK03
Led Life Time - L70	: > 72.000 saat @Ta= 35 °C

Optional Features

Correlated Color Temperatures	: 2700K / 3000K / 6500K
Emergency Kit Options	: No
DALI Option	: Yes
Degree Option	: 24°

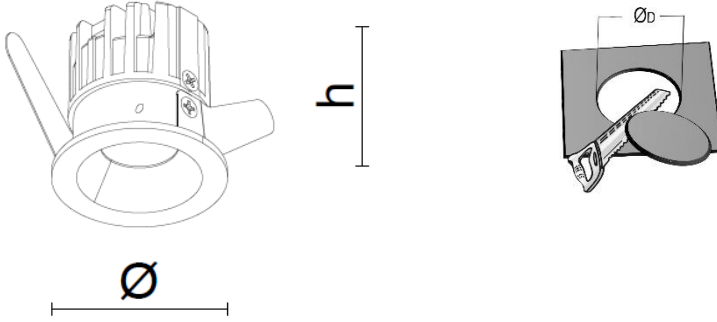
ORI MICRO

Recessed Mounted 3 W Spot LED Luminaire

3340157 ORI 003A 40OD00 36 0K3 20 MC YV FLP

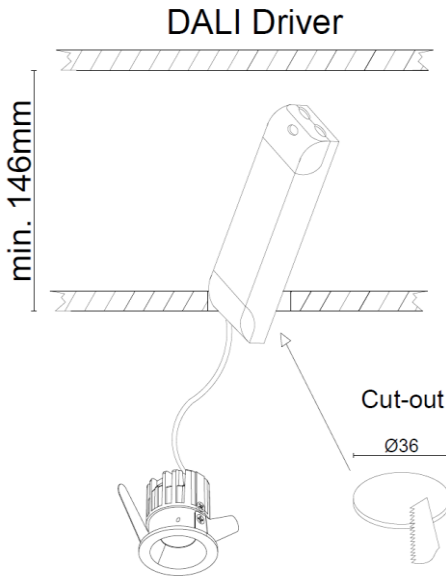
Dimensions (mm)

	\varnothing	h	$\varnothing D$
Standart	42	41	36



Weight (kg)

Standard



- EAE, reserves the right to make changes without prior notice.

engineering the light

EAE Aydınlatma A.Ş.
İkitelli Organize Sanayi Bölgesi Eski Turgut Özal Caddesi No:20 Başakşehir / İSTANBUL-TURKEY
Phone: +90 212 413 21 00 (pbx) Fax: +90 212 549 37 90
www.eaeaydinlatma.com.tr

Revision date: 14.05.2024