



# EXIT ROBITO NG RECESSED

2 W Emergency Lighting LED Luminaire

Order Code : 3340094  
Product Code : EXT 002A 65SD02 090 20 RBT NG FLP



## Product Data

### Standard Features

Housing	: ABS Body
Cover	: Acrylic Diffuser
IP Grade	: IP20
Installation	: Recessed Mounted
Light Source	: Mid power LED
Emergency Kit Options	: 3 Hours
Run Mode	: Maintained

### Optical & Electrical Features

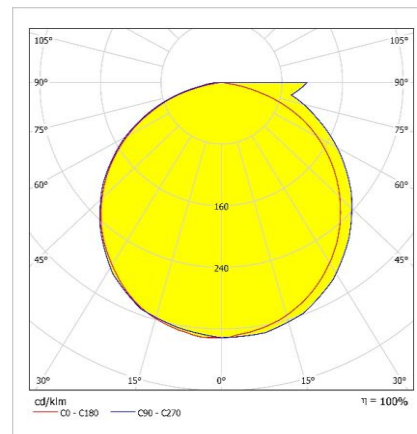
Power Consumption (Maintained)	: 2 W
Final Luminous Flux	: 90 lm
Efficacy	: 45 lm/W
Input Voltage	: 220-240 V AC
Frequency	: 50-60 Hz
Power Factor	: $\cos \phi > 0,9$
Correlated Color Temperature	: 6500K
Color Rendering Index	: $>70$
Charge duration	: 48 Hours
Visibility Range	: 30m

\* There is  $\pm 10\%$  Tolerance in Technical Values.

### Other Features & Conditions

Operating Temperature Range With Emergency Kit	: $+10\text{ }^{\circ}\text{C} / +35\text{ }^{\circ}\text{C}$
Impact Resistance	: IK03
Led Life Time - L70	: $> 50.000$ hours @ $T_a = 35\text{ }^{\circ}\text{C}$
Dali ( Option )	: No

## Photometric Curve



<

### Emergency Kit Status

Power Consumption (Non Maintained)	: 1 W
Final Luminous Flux	: 45 lm
Run Mode	: Non maintained

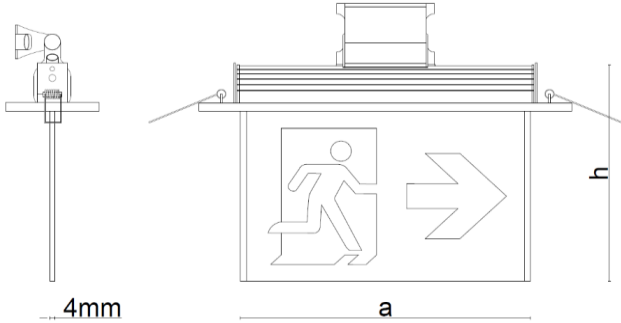
# EXIT ROBITO NG RECESSED

2 W Emergency Lighting LED Luminaire

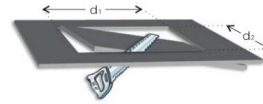
3340094 EXT 002A 65SD02 090 20 RBT NG FLP

## Dimensions (mm)

	a	h	b	c
Standard	255	190	35	55
Flag	240	150	-	-

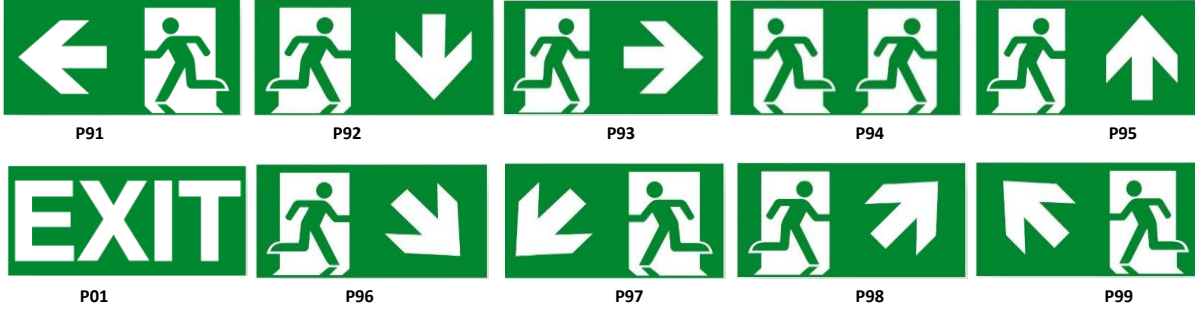


d<sup>1</sup>, d<sup>2</sup> : 295mm x 40mm



## Weight (kg)

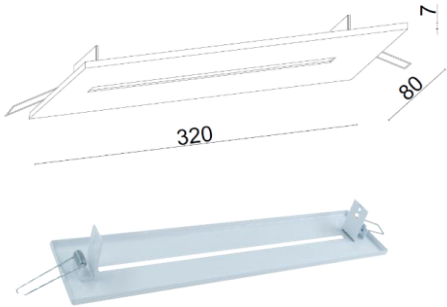
Standard	0.550
----------	-------



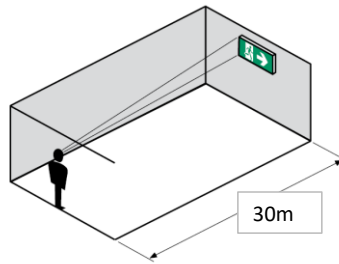
L Wall Mounting Set 240x130x50mm 345gr

Order Code : 3328290

Product Code:EXT ROBITO NG DUVAR MNTJ APARATI FLP



## Visibility Distance



- The device needs to be charged and discharged for 48 hours twice. After the third 48-hour charge, it will run for 3 hours.
- EAE, reserves the right to make changes without prior notice.

**engineering the light**

EAE Aydınlatma A.Ş.  
İkitelli Organize Sanayi Bölgesi Eski Turgut Özal Caddesi No:20 Başakşehir / İSTANBUL-TURKEY  
Phone: +90 212 413 21 00 (pbx) Fax: +90 212 549 37 90  
www.eaeaydinlatma.com.tr

Revision date: 09.10.2023